

## LED SPOTLIGHT-CANLESS DEEP REGRESSED INTERCHANGEABLE TRIM 2" MODULE - HIGH OUTPUT 38°, 60°



**CRI 80**    **COLOR SELECTABLE** (2700K, 3000K, 3500K, 4000K, 5000K)    **DIMMABLE TRIAC**    **IC RATED**    **WET LOCATION RATED**    **3 YEAR WARRANTY**

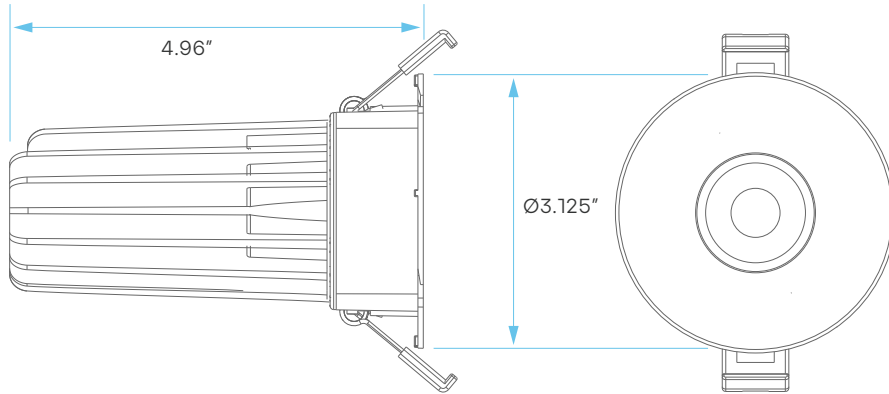
### ELECTRICAL

MODEL	DESCRIPTION	POWER	INPUT VOLTS	EFFICACY	FLOOD	LIFETIME	COST/YR
2" LR23415	LED/URDL2/5CCT/RD/HO	15	120V	67	38°	50,000	\$ 1.81
2" LR23416	LED/URDL2/WFL/5CCT/RD/HO	15	120V	67	60°	50,000	\$ 1.81

### PHOTOMETRIC

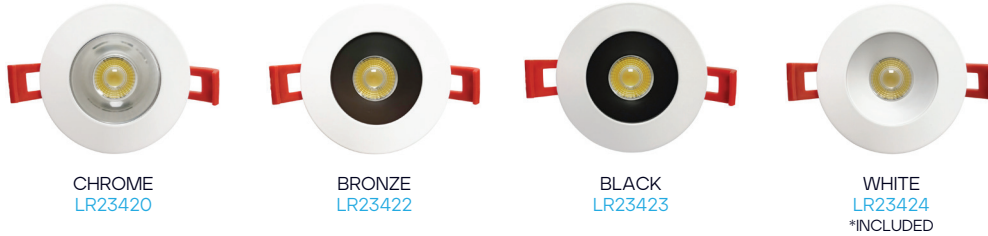
MODEL	DESCRIPTION	COLOR (CCT)	TEMP	LUMEN	CRI	ETL LISTED	PLATE (KNOCKOUT)
LR23415	LED/URDL2/5CCT/RD/HO	2700K/3000K/3500K/4000K/5000K	CCT SELECT	1000	80	YES	LR41004 (#1)
LR23416	LED/URDL2/WFL/5CCT/RD/HO	2700K/3000K/3500K/4000K/5000K	CCT SELECT	1000	80	YES	LR41010 (#L1)

2" MODULE  
CUTOUT: Ø 2.83"



## INTERCHANGEABLE REFLECTOR & TRIM OPTIONS

### REFLECTOR OPTIONS



### ROUND TRIM OPTIONS

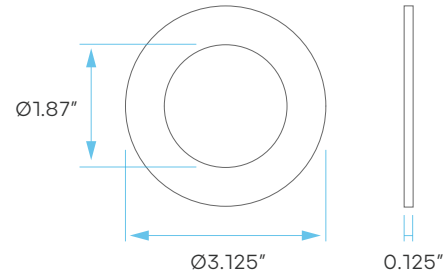
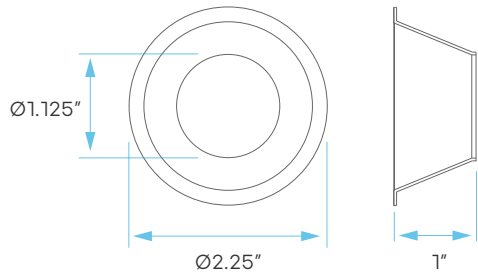


### SQUARE TRIM OPTIONS



### TRIM OPTIONS



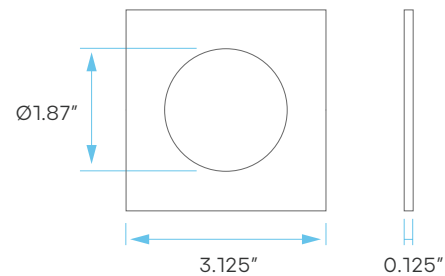
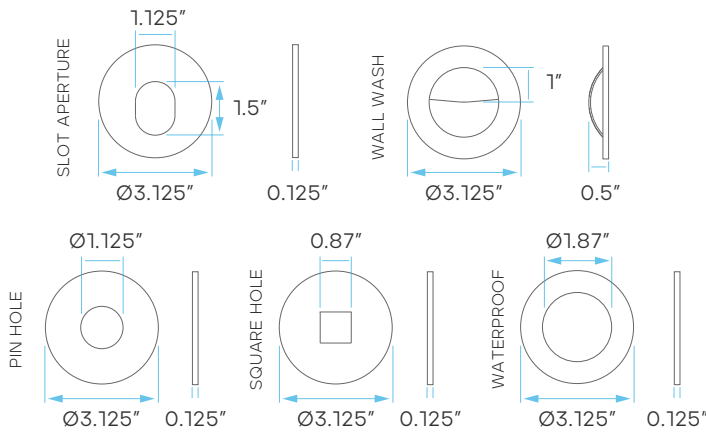


## REFLECTORS

MODEL	DESCRIPTION	FINISH
LR23420	LED/URDL2/RFL/CH	CHROME
LR23421	LED/URDL2/RFL/BS	BRASS
LR23422	LED/URDL2/RFL/BZ	BRONZE
LR23423	LED/URDL2/RFL/BK	BLACK
LR23424	LED/URDL2/RFL/WT	WHITE

## ROUND TRIMS

MODEL	DESCRIPTION	FINISH
LR23430	LED/URDL2/TRM/RD/CH	CHROME
LR23431	LED/URDL2/TRM/RD/CP	COPPER
LR23432	LED/URDL2/TRM/RD/BZ	BRONZE
LR23433	LED/URDL2/TRM/RD/BK	BLACK
LR23434	LED/URDL2/TRM/RD/WT	WHITE
LR23435	LED/URDL2/TRM/RD/BN	BRUSHED NICKEL
LR23436	LED/URDL2/TRM/RD/BS	BRASS



## SPECIALTY TRIMS

MODEL	DESCRIPTION	FINISH
LR23440	LED/URDL2/TRM/SA	SLOT APERTURE
LR23441	LED/URDL2/TRM/SA	WALL WASHER
LR23442	LED/URDL2/TRM/SA	PIN HOLE
LR23443	LED/URDL2/TRM/SA	SQUARE HOLE
LR23444	LED/URDL2/TRM/SA	WATERPROOF

## SQUARE TRIMS

MODEL	DESCRIPTION	FINISH
LR23450	LED/URDL2/TRM/SQ/CH	CHROME
LR23451	LED/URDL2/TRM/SQ/CP	COPPER
LR23452	LED/URDL2/TRM/SQ/BZ	BRONZE
LR23453	LED/URDL2/TRM/SQ/BK	BLACK
LR23454	LED/URDL2/TRM/SQ/WT	WHITE
LR23455	LED/URDL2/TRM/SQ/BN	BRUSHED NICKEL

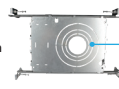
## COMPATIBILITY

COMPATIBLE WITH:

**LR35126**  
Emergency LED Driver



**LR41004**  
New Construction Mounting Plate



KNOCKOUTS



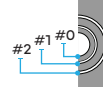
KNOCKOUT SIZE

#0	Ø2.125" (Ø54 mm)
#1	Ø2.83" (Ø72 mm)
#2	Ø3.75" (Ø95 mm)
#3	Ø5.19" (Ø132 mm)

**LR41010**  
New Construction Mounting Plate



KNOCKOUTS



KNOCKOUT SIZE

#L0	Ø2.12" (Ø54 mm)
#L1	Ø2.83" (Ø72 mm)
#L2	Ø3.75" (Ø95mm)

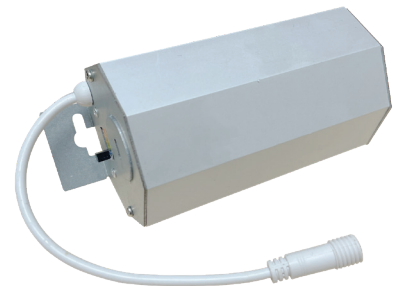
KNOCKOUT SIZE

#R0	Ø3.25" (Ø82 mm)
#R1	Ø4.33" (Ø110 mm)
#R2	Ø5.25" (Ø132mm)
#R3	Ø6.25" (Ø160 mm)

## 120-277V DRIVER

\*SOLD SEPARATELY

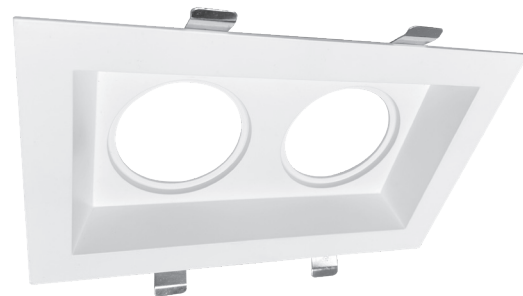
	MODEL	DESCRIPTION	POWER	INPUT
15W	LR23418	LED/URDL2/DRIVER/UNV/0-10V	15	120-277V



## 2-HEAD RECESSED PLATE

\*SOLD SEPARATELY

MODEL	DESCRIPTION	FINISH
LR23465	LED/URDL2/RPLT/2HD/WT	WHITE



MODEL	DESCRIPTION	FINISH
LR23466	LED/URDL2/RPLT/2HD/BK	BLACK

