

LED SURFACE MOUNT SINGLE RING - MOTION SENSOR CCT SELECTABLE 11", 13", 15"



15"



13"



11"



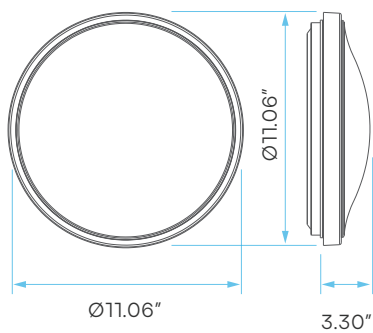
MOTION SENSOR SETTINGS



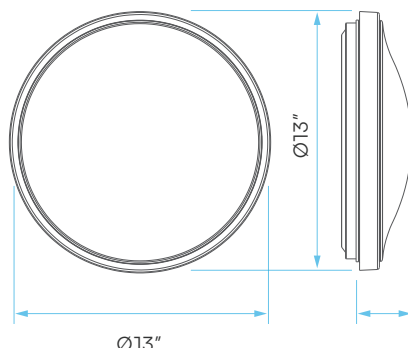
COLOR SELECTABLE

2700K 3000K 3500K 4000K 5000K

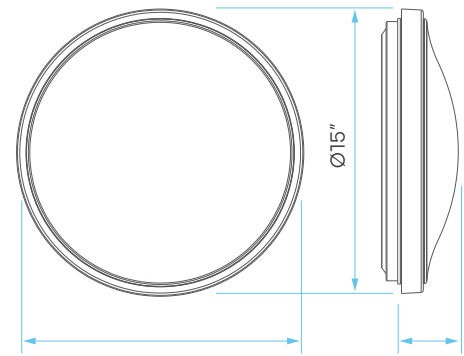
BRUSHED NICKEL FINISH



11"



13"



15"

ELECTRICAL

	MODEL	DESCRIPTION	POWER	INPUT VOLTS	EFFICACY	LIFETIME	COST/YR
11"	LR23340	LED11"FLUSH/SR/BN/5CCT/MS	16	120V	75	50,000	\$ 1.92
13"	LR23342	LED13"FLUSH/SR/BN/5CCT/MS	20	120V	75	50,000	\$ 2.40
15"	LR23344	LED15"FLUSH/SR/BN/5CCT/MS	24	120V	75	50,000	\$ 2.89

PHOTOMETRIC

MODEL	DESCRIPTION	COLOR (CCT)	TEMP	LUMEN	FLOOD	CRI	ETL
LR23340	LED11"FLUSH/SR/BN/5CCT/MS	2700K/3000K/3500K/4000K/5000K	CCT SELECT	1200	120°	80	YES
LR23342	LED13"FLUSH/SR/BN/5CCT/MS	2700K/3000K/3500K/4000K/5000K	CCT SELECT	1500	120°	80	YES
LR23344	LED15"FLUSH/SR/BN/5CCT/MS	2700K/3000K/3500K/4000K/5000K	CCT SELECT	1800	120°	80	YES

MOTION SENSOR SETTINGS

DETECTION ANGLE

360°

CEILING MOUNTED

150°

WALL MOUNTED

DETECTION RANGE

9'-20'

1 MIN

HOLD TIME

0.5W

STANDBY POWER

30 LUX

DAYLIGHT TRESHOLD