

## SINGLE RING MOTION SENSOR FIXTURE - CCT SELECTABLE LR23340, LR23342, LR23344

### PACKAGE CONTENTS:



PART	ITEM NAME	QTY.
A	COVER	1
B	FIXTURE BODY	1

### HARDWARE CONTENTS:



### WARNING

**RISK OF PERSONAL INJURY** - PLEASE READ THESE INSTRUCTIONS CAREFULLY. FOLLOW ALL INSTALLATION INSTRUCTIONS AND OBSERVE ALL WARNINGS. RETAIN THESE INSTRUCTIONS IF YOU ARE AN INSTALLER, PLEASE GIVE THESE INSTRUCTIONS TO THE PROPERTY OWNER FOR FUTURE REFERENCE.

- MAKE SURE THE "SUPPLY" VOLTAGE CORRESPONDS TO THE "RATED" PRODUCT VOLTAGE 120V 60Hz
  - THE PRODUCT MUST BE INSTALLED BY A QUALIFIED ELECTRICIAN IN ACCORDANCE WITH THE NATIONAL ELECTRICAL CODE AND CORRESPONDING LOCAL CODES.
  - IF THE PRODUCT IS DAMAGED, DO NOT ATTEMPT INSTALLATION AND DO NOT USE.
- THIS PRODUCT COMPLIES WITH PART 15 OF THE FCC RULES. OPERATION IS SUBJECT TO THE FOLLOWING TWO CONDITIONS: (1) THIS DEVICE MAY NOT CAUSE HARMFUL INTERFERENCE, AND (2) THIS DEVICE MUST ACCEPT ANY INTERFERENCE RECEIVED, INCLUDING INTERFERENCE THAT MAY CAUSE UNDESIRABLE OPERATION.

**WARNING - BE SURE THE ELECTRICITY TO THE WIRES YOU ARE WORKING ON IS SHUT OFF.** EITHER REMOVE THE FUSE OR TURN THE CIRCUIT OFF.

**WARNING - RISK OF ELECTRICAL SHOCK:** THIS PRODUCT MUST BE INSTALLED IN ACCORDANCE WITH THE APPLICABLE INSTALLATION CODE BY A PROFESSIONAL FAMILIAR WITH THE CONSTRUCTION AND OPERATION OF THE PRODUCT. THE PROFESSIONAL SHOULD ALSO BE AWARE OF, AND UNDERSTAND THE HAZARDS INVOLVED WITH THE INSTALLATION OF THIS PRODUCT.

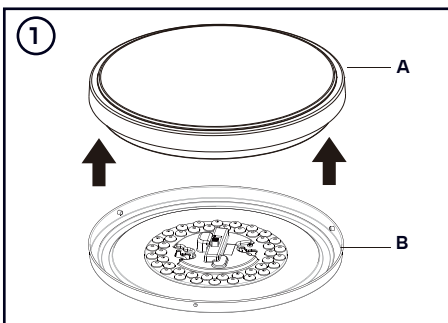
**WARNING - RISK OF FIRE:** ALWAYS CONSULT WITH A QUALIFIED ELECTRICIAN TO ENSURE THE CORRECT BRANCH CIRCUIT CONDUCTOR IS UTILIZED. THE MINIMUM CONDUCTOR RATING REQUIREMENT IS 90°C (194°F) IN ORDER TO BE CODE COMPLIANT.

**CAUTION - RISK OF INJURY:** ALWAYS WEAR THE NECESSARY SAFETY EQUIPMENT TO PREVENT INJURIES WHEN OPENING, HANDLING, INSTALLING AND MAINTAINING THIS PRODUCT.

### PLANNING THE INSTALLATION

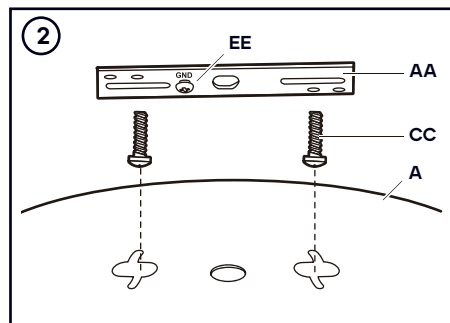
READ ALL INSTRUCTIONS BEFORE INSTALLATION. BEFORE STARTING INSTALLATION OF THIS FIXTURE OR REMOVAL OF A PREVIOUS FIXTURE, DISCONNECT THE POWER BY TURNING OFF THE CIRCUIT BREAKER OR BY REMOVING THE FUSE AT THE BOX.

### INSTALLATION INSTRUCTIONS



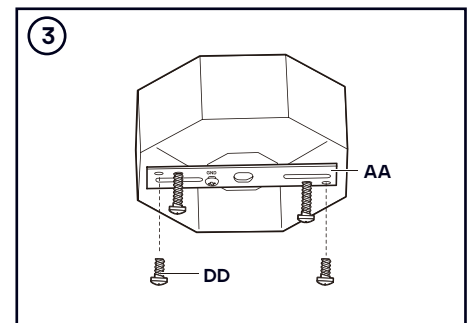
#### 1. PREPARING THE FIXTURE

Remove the cover (A) from the fixture (B) by turning it counter clockwise.



#### 2. PREPARING THE MOUNTING BRACKET

Align two of the threaded holes on the mounting bracket (AA) over one set of keyhole slots on the fixture (A). From the side of the fixture (A), insert the 30mm screws (CC) and ground screw (EE) into the aligned holes, leaving approximately 1in of space between the screw heads and mounting bracket (AA).

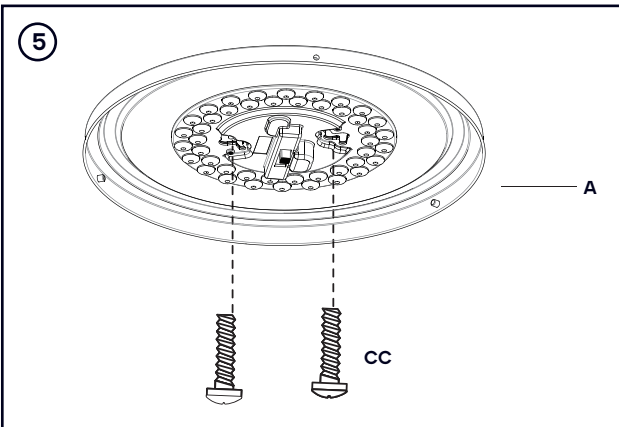
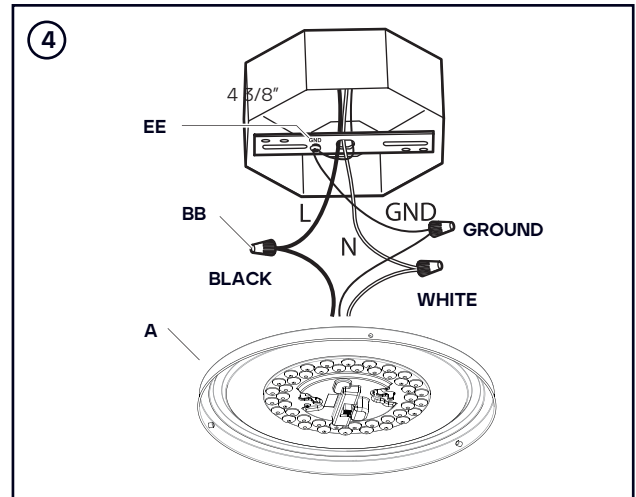


#### 3. INSTALLING THE MOUNTING BRACKET

Attach the mounting bracket (AA) to the outlet box (not included) using the 25 mm screws (DD)

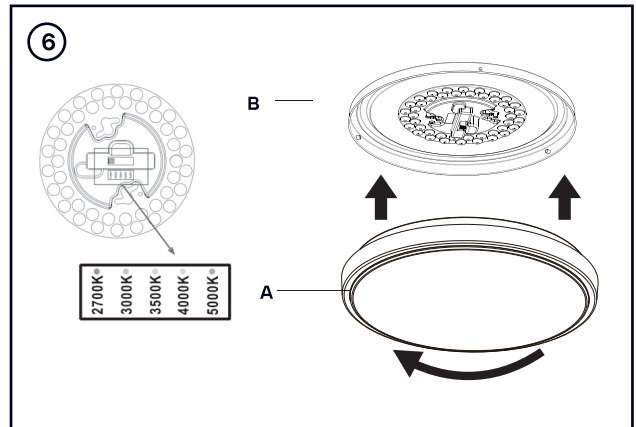
#### 4. CONNECTING THE WIRES

- Connect the copper wire on the fixture (A) to the mounting bracket (AA) by securing it with the ground screw (EE).
- Use a wire connector (BB) to connect the ground wire from the fixture (A) to the ground wire from the outlet box.
- Use a wire connector (BB) to connect the white wire from the fixture (A) to the white wire (neutral wire) from the outlet box.
- Use a wire connector (BB) to connect the black wire from the fixture (A) to the black wire (live wire) from the outlet box.
- Wrap the three wire connections with electrical tape for a more secure connection.
- Position the wires inside the outlet box.



#### 5. SECURING THE FIXTURE

Align the channels on the fixture with the screws (CC) protruding from the mounting bracket. Slide the fixture until it clicks into place over the screws (CC). Tighten the screws (CC) to secure the fixture (A) in place.

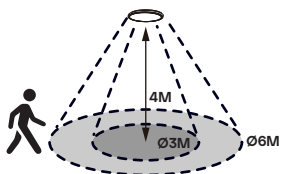


#### 6. ATTACHING THE COVER

Switch the key to the CCT you want. Attach the cover (B) by turning it clockwise on the fixture (A).

### MOTION SENSOR DEFAULT SETTINGS

#### S1 - SET SENSIVITY



	DISTANCE	R
A	100%	6 m

#### S2 - SET HOLD TIME



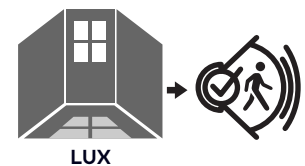
	TIME
1	1 MIN

#### S3 - SET SENSOR SWITCH



	SENSOR SWITCH
1	ON

#### S3 - SET THE LUX



	LUX
1	30Lux