

5 CCT SELECTABLE DOUBLE RING - BRASS FINISH LR23295, LR23296, LR23297, LR23298, LR23299

WARNING

RISK OF ELECTRIC SHOCK: Turn power off before inspection, installation or removal. Properly ground electrical enclosure.

RISK OF FIRE: Follow all NEC and local codes. Use only UL or IEC approved wire for input/output connections. Minimum size 18 AWG (0.75 mm2). Do not install insulation within 3 inches (76 mm) of luminaire top.

RISK OF INJURY, RISK OF DAMAGE: Luminaire may fall if inner bezel is not secured properly to outer bezel. Ensure that the whole loop is positioned and secured under the washer.

PACKAGE CONTENTS:

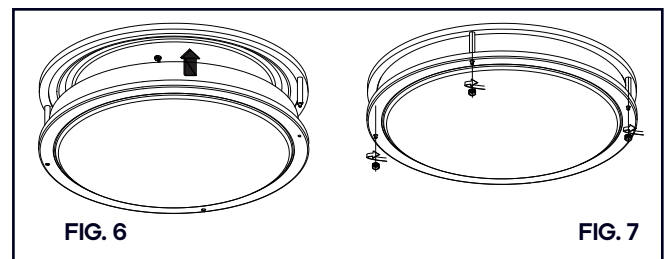
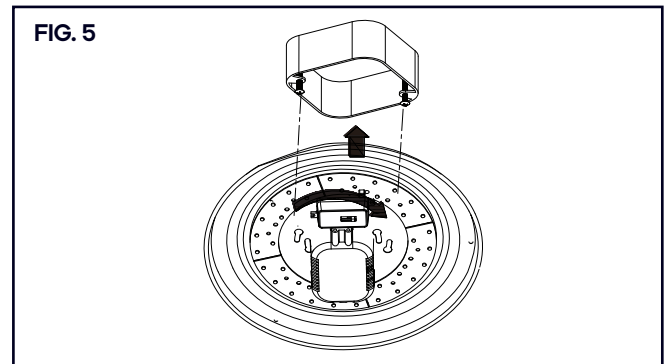
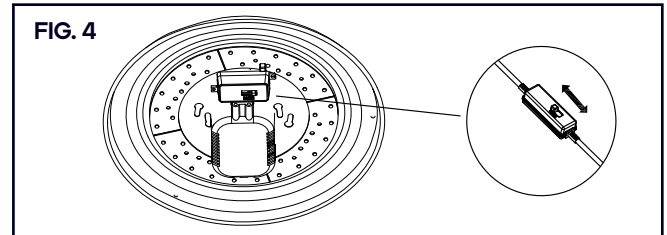
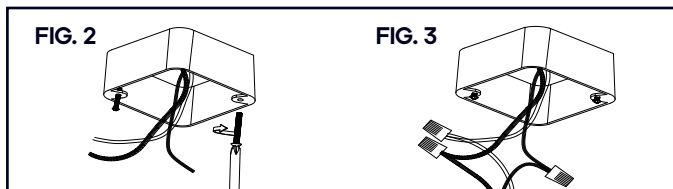
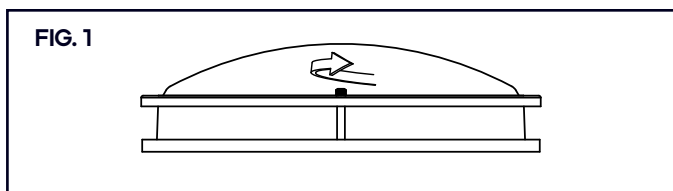
- 1 ROUND FLUSHMOUNT HOUSING
- 1 ROUND FLUSHMOUNT DIFFUSER (SHIPPED AS PART OF FLUSHMOUNT HOUSING)
- 3 WIRENUTS (IN PARTS BAG)
- 2 - 1 1/2 ELECTRICAL BOX SCREWS (IN PARTS BAG)
- 1 INSTALLATION MANUAL

SAVE THESE INSTRUCTIONS:

Use only in the manner intended by the manufacturer. If you have any questions, contact the manufacturer.

INSTALLATION INSTRUCTIONS

1. Before beginning assembly, installation or operation of product, make sure all parts are present. If any part is missing or damaged, do not attempt to assemble, install or operate the product. Contact customer service for replacement parts.
2. Loosen screws counter clockwise (Figure 1)
3. Install the electrical box screws in the junction box (Figure 2)
4. Connect the black and white wires of the fixture with two wires of the same colors from the junction box with the wirecaps. Connect the grounding wire of the fixture with the one from the junction box with the wirecap. (Figure 3)
5. Put the fixture plate across the screw of the lock in Figure 2, then rotate fixture plate clockwise and lock it tightly with the screw lock. Use the switch to choose desired Color Temperature. (Figure 4)
6. Securely mount the fixture plate to the junction box firmly. (Figure 5)
7. Place Diffuser (Figure 6) and tighten screws clockwise. (Figure 7)
8. Restore power to the electrical box. Turn the light switch on to activate the fixture.
9. Supply at 120 V



CAUTION - RISK OF FIRE: THIS PRODUCT MUST BE INSTALLED IN ACCORDANCE WITH THE APPLICABLE INSTALLATION CODE BY A PERSON FAMILIAR WITH THE CONSTRUCTION AND OPERATION OF THE PRODUCT AND THE HAZARDS INVOLVED. CONSULT A QUALIFIED ELECTRICIAN TO ENSURE CORRECT BRANCH CIRCUIT CONDUCTOR.

ATTENTION - RISQUE DU FEU: CE PRODUIT DOIT ÊTRE INSTALLÉ SELON LE CODE D'INSTALLATION PERTINENT, PAR UNE PERSONNNE QUI CONNAÎT BIEN LE PRODUIT ET SON FONCTIONNEMENT AINSI QUE LES RISQUES INHÉRENTS. CONSULTER UN ÉLECTRICIEN QUALIFIÉ POUR VOUS ASSURER QUE LES CONDUCTEURS DE LA DÉRIVATION SONT ADÉQUATS.

*THE LED LUMINAIRE MUST BE CONNECTED TO THE MAINS SUPPLY ACCORDING TO ITS RATINGS ON THE PRODUCT LABEL.

This device complies with Part 15 of the FCC Rules. Operations is subject to the following conditions: (1) This device may not cause harmful interference, and (2) this device must accept any interference received, including interference that may cause undesired operation. This Class (A) RELED complies with the Canadian standard ICES-003. Ce DEFR de la classe (A) est conforme à la NBB-003 du Canada.

NOTE: This equipment has been tested and found to comply with the limits for a Class A digital device, pursuant to part 15 of the FCC Rules. These limits are designed to provide reasonable protection against harmful interference when the equipment is operated in a commercial environment. This equipment generates, uses, and can radiate radio frequency energy and if not installed and used in accordance with the instruction manual, may cause harmful interference to radio communications. Operation of this equipment in a residential area is likely to cause