

## LED SURFACE MOUNT DOUBLE RING - CHROME - EMERGENCY 12", 14", 16"



12"



14"



16"



3 CCT DIP SWITCH

CRI  
80

COLOR SELECTABLE

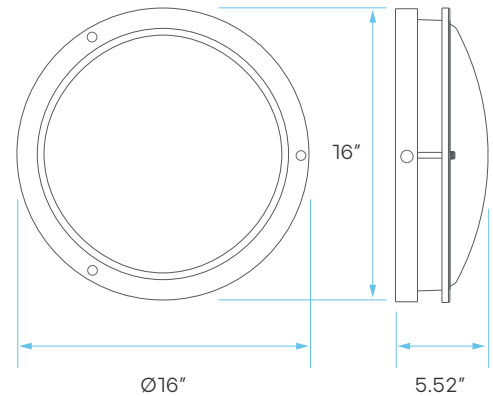
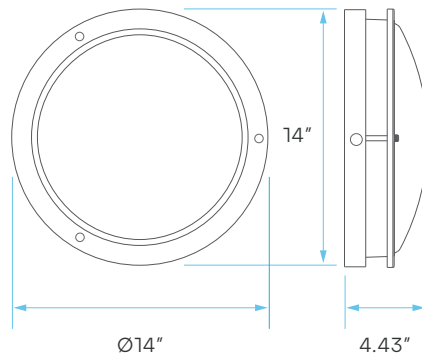
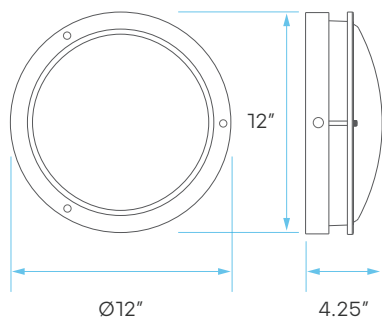
2700K 3000K 3500K 4000K 5000K

DIMMABLE

0-10V

DAMP  
LOCATION  
RATED

5  
YEAR  
WARRANTY



## ELECTRICAL

	MODEL	DESCRIPTION	POWER	INPUT VOLTS	EFFICACY	LIFETIME	COST/YR
12"	<a href="#">LR23286</a>	LED12"FLUSH/CHROME/5CCT/EMR	14	120-277V	77	50,000	\$ 2.17
14"	<a href="#">LR23287</a>	LED14"FLUSH/CHROME/5CCT/EMR	18	120-277V	75	50,000	\$ 2.65
16"	<a href="#">LR23288</a>	LED16"FLUSH/CHROME/5CCT/EMR	24	120-277V	75	50,000	\$ 3.13

## PHOTOMETRIC

MODEL	DESCRIPTION	COLOR (CCT)	TEMP	LUMEN	FLOOD	CRI	ETL
<a href="#">LR23286</a>	LED12"FLUSH/CHROME/5CCT/EMR	2700K/3000K/3500K/4000K/5000K	CCT SELECT	1120	120°	80	YES
<a href="#">LR23287</a>	LED14"FLUSH/CHROME/5CCT/EMR	2700K/3000K/3500K/4000K/5000K	CCT SELECT	1440	120°	80	YES
<a href="#">LR23288</a>	LED16"FLUSH/CHROME/5CCT/EMR	2700K/3000K/3500K/4000K/5000K	CCT SELECT	1920	120°	80	YES