

## LED SPOTLIGHT CANLESS 2" REGRESSED DOWNLIGHT - CCT SELECTABLE ROUND & SQUARE



2"



2"

**CRI  
90**

**COLOR SELECTABLE**

2700K 3000K 3500K 4000K 5000K

**DIMMABLE**

**AIR  
TIGHT**

**IC  
RATED**

**DAMP  
LOCATION  
RATED**

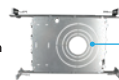
**5  
YEAR  
WARRANTY**

**COMPATIBLE  
WITH:**

**LR35126**  
Emergency  
LED Driver



**LR41004**  
New Construction  
Mounting Plate



**KNOCKOUTS**



**KNOCKOUT SIZE**  
#0 Ø2.125" (Ø54 mm)  
#1 Ø2.83" (Ø72 mm)  
#2 Ø3.75" (Ø95 mm)  
#3 Ø5.19" (Ø132 mm)

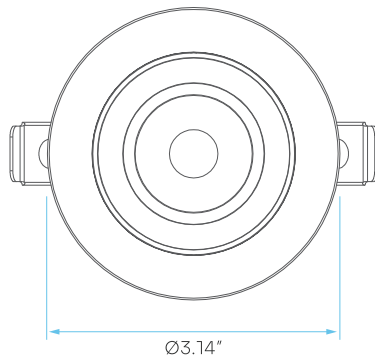
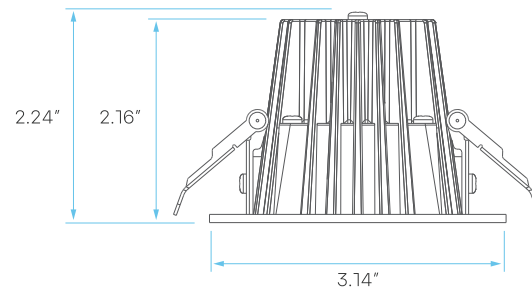
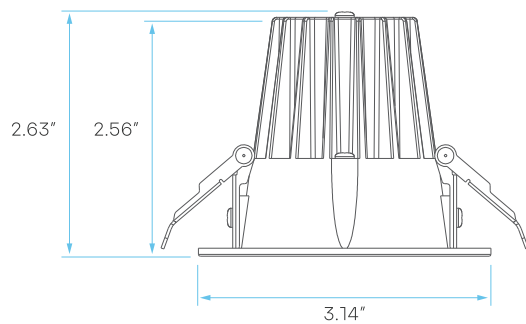
## ELECTRICAL

|    |    | MODEL   | DESCRIPTION         | POWER | INPUT VOLTS | EFFICACY | LIFETIME | COST/YR |
|----|----|---------|---------------------|-------|-------------|----------|----------|---------|
| 2" | RD | LR23275 | LED/RDL2/5CCT/RD/WT | 8     | 120V        | 82       | 50,000   | \$ 0.96 |
|    | SQ | LR23277 | LED/RDL2/5CCT/SQ/WT | 8     | 120V        | 82       | 50,000   | \$ 0.96 |

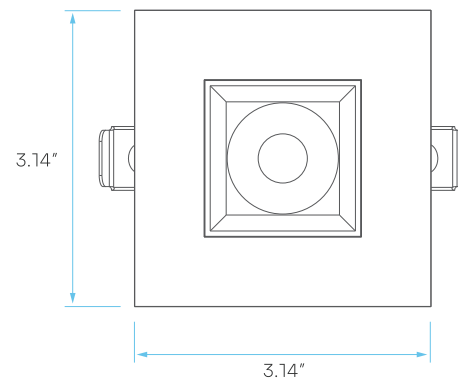
## PHOTOMETRIC

| MODEL   | DESCRIPTION         | COLOR (CCT)                   | TEMP       | LUMEN | CRI | FLOOD | ETL | PLATE (KNOCKOUT) |
|---------|---------------------|-------------------------------|------------|-------|-----|-------|-----|------------------|
| LR23275 | LED/RDL2/5CCT/RD/WT | 2700K/3000K/3500K/4000K/5000K | CCT SELECT | 600   | 90  | 36°   | YES | LR41004 (#1)     |
| LR23277 | LED/RDL2/5CCT/SQ/WT | 2700K/3000K/3500K/4000K/5000K | CCT SELECT | 600   | 90  | 36°   | YES | LR41004 (#1)     |

## DIMENSIONS



CUTOUT: Ø 2.55"



CUTOUT: Ø 2.55"