

## LED SPOTLIGHT-CANLESS REGRESSED FIXED 2" ROUND & SQUARE



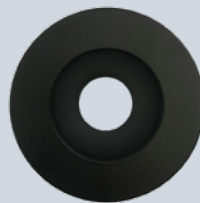
2"



2"

INTERCHANGEABLE TRIMS

\*SOLD SEPARATELY



CRI  
80

COLOR SELECTABLE

DIMMABLE

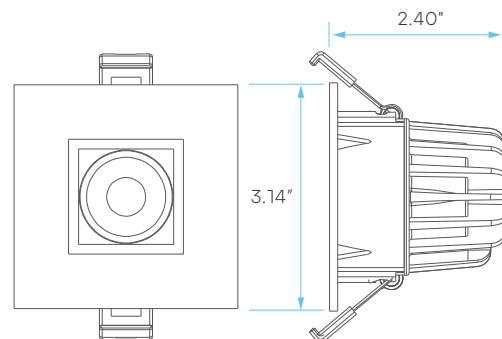
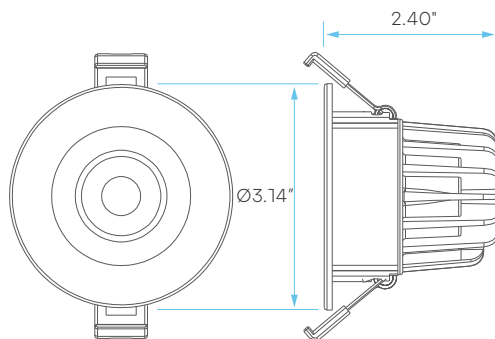
TRIAC

IC  
RATED

DAMP  
LOCATION  
RATED

3  
YEAR  
WARRANTY

CUTOUT: Ø 2.55"



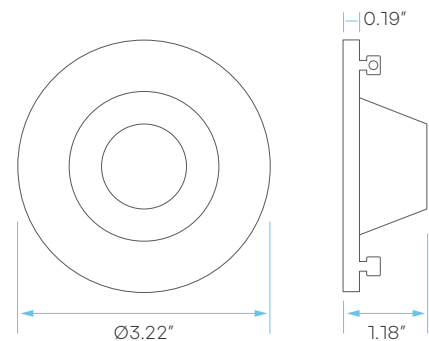
## ELECTRICAL

	MODEL	DESCRIPTION	POWER	INPUT VOLTS	EFFICACY	FLOOD	LIFETIME	COST/YR
ROUND	LR23271	LED/RDL3/30K/RD	8	120V	75	36°	50,000	\$ 0.96
	LR23273	LED/RDL3/40K/RD	8	120V	75	36°	50,000	\$ 0.96
	LR23274	LED/RDL3/50K/RD	8	120V	75	36°	50,000	\$ 0.96
SQUARE	LR23276	LED/RDL3/30K/SQ	8	120V	75	36°	50,000	\$ 0.96
	LR23278	LED/RDL3/40K/SQ	8	120V	75	36°	50,000	\$ 0.96
	LR23279	LED/RDL3/50K/SQ	8	120V	75	36°	50,000	\$ 0.96

## PHOTOMETRIC

MODEL	DESCRIPTION	COLOR (CCT)	TEMP	LUMEN	CRI	FLOOD	ETL	ENERGY STAR	PLATE (KNOCKOUT)
LR23271	LED/RDL3/30K/RD	3000K	SOFT WHITE	600	80	36°	YES	YES	LR41004 (#1)
LR23273	LED/RDL3/40K/RD	4000K	COOL WHITE	600	80	36°	YES	YES	LR41004 (#1)
LR23274	LED/RDL3/50K/RD	5000K	BRIGHT WHITE	600	80	36°	YES	YES	LR41004 (#1)
LR23276	LED/RDL3/30K/SQ	3000K	SOFT WHITE	600	80	36°	YES	YES	LR41004 (#1)
LR23278	LED/RDL3/40K/SQ	4000K	COOL WHITE	600	80	36°	YES	YES	LR41004 (#1)
LR23279	LED/RDL3/50K/SQ	5000K	BRIGHT WHITE	600	80	36°	YES	YES	LR41004 (#1)

## TRIM REPLACEMENT



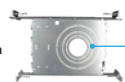
MODEL	DESCRIPTION	FINISH
LR23261	LED/RDL3/RD/TRIM/BK	BLACK
LR23262	LED/RDL3/RD/TRIM/W/BK	WHITE/BLACK

COMPATIBLE WITH:

**LR35126**  
Emergency LED Driver



**LR41004**  
New Construction Mounting Plate



KNOCKOUT SIZE	
#0	Ø2.125" (Ø54 mm)
#1	Ø2.83" (Ø72 mm)
#2	Ø3.75" (Ø95 mm)
#3	Ø5.19" (Ø132 mm)