

LED SPOTLIGHT CANLESS REGRESSED GIMBAL 3", 4"



3"



4"



**CRI
90**

COLOR SELECTABLE

2700K 3000K 3500K 4000K 5000K



DIMMABLE

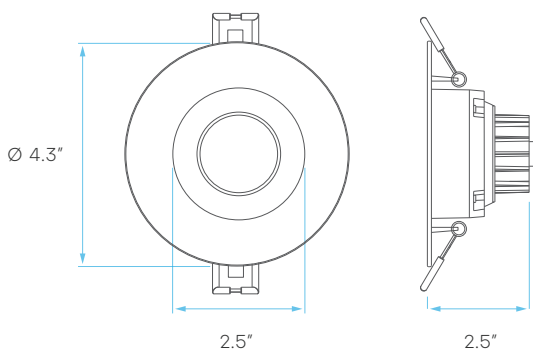
TRIAC

**AIR
TIGHT**

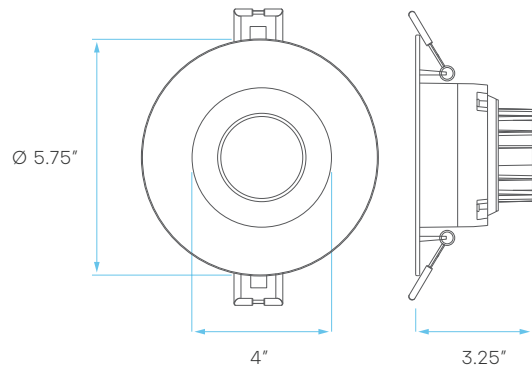
**IC
RATED**

**DAMP
LOCATION
RATED**

**3
YEAR
WARRANTY**



CUTOUT: Ø 3.37" (85mm)



CUTOUT: Ø 4.87" (125mm)

ELECTRICAL

	MODEL	DESCRIPTION	POWER	INPUT VOLTS	EFFICACY	WATT REPLACEMENT	LIFETIME	COST/YR
3"	LR23268	LED8W/RDL3/GB/5CCT/FL	8	120V	75	50	50,000	\$ 0.96
4"	LR23269	LED12W/RDL4/GB/5CCT/FL	12	120V	83	75	50,000	\$ 1.45

PHOTOMETRIC

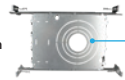
MODEL	DESCRIPTION	COLOR (CCT)	TEMP	LUMEN	CRI	FLOOD	ETL	PLATE (KNOCKOUT)
LR23268	LED8W/RDL3/GB/5CCT/FL	2700K/3000K/3500K/4000K/5000K	CCT SELECT	600	90	40°	YES	LR41004 (#2)
LR23268	LED12W/RDL4/GB/5CCT/FL	2700K/3000K/3500K/4000K/5000K	CCT SELECT	1000	90	40°	YES	LR41004 (#3)

COMPATIBLE WITH:

LR35126
Emergency LED Driver



LR41004
New Construction Mounting Plate



KNOCKOUTS

#0 #1 #2 #3

KNOCKOUT SIZE

#0 Ø2.125" (Ø54 mm)
#1 Ø2.83" (Ø72 mm)
#2 Ø3.75" (Ø95 mm)
#3 Ø5.19" (Ø132 mm)