

LED SPOTLIGHT CANLESS REGRESSED DOWNLIGHT 4" ROUND & SQUARE



4"

CRI
90

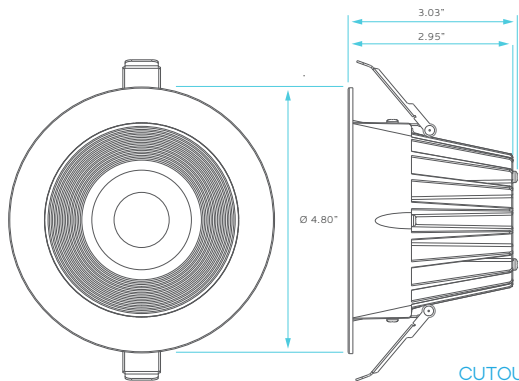
COLOR SELECTABLE
2700K | 3000K | 3500K | 4000K | 5000K

DIMMABLE
TRIAC 5-100%

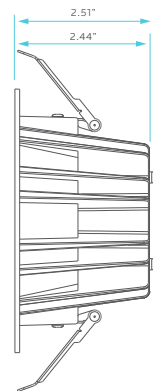
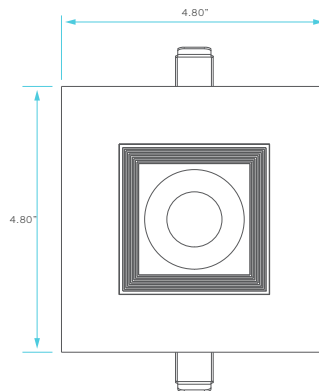
IC
RATED

DAMP
LOCATION
RATED

3
YEAR
WARRANTY



CUTOUT: Ø 4.25" (108mm)



ELECTRICAL

		MODEL	DESCRIPTION	POWER	INPUT VOLTS	EFFICACY	LIFETIME	COST/YR
4"	RD	LR23265	LED15W/RDL4/5CCT/RD	15	120V	80	50,000	\$ 1.81
	SQ	LR23267	LED15W/RDL4/5CCT/SQ	15	120V	80	50,000	\$ 1.81

PHOTOMETRIC

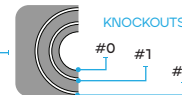
MODEL	DESCRIPTION	COLOR (CCT)	TEMP	LUMEN	CRI	FLOOD	ETL	PLATE (KNOCKOUT)
LR23265	LED15W/RDL4/5CCT/RD	2700K/3000K/3500K/4000K/5000K	CCT SELECT	1200	90	36°	YES	LR41002 (#1)
LR23267	LED15W/RDL4/5CCT/SQ	2700K/3000K/3500K/4000K/5000K	CCT SELECT	1200	90	36°	YES	LR41002 (#1)

COMPATIBLE WITH:

LR35126
Emergency LED Driver



LR41002
New Construction Mounting Plate



KNOCKOUTS		KNOCKOUT SIZE	
#0	Ø3.14" (Ø80 mm)	#1	Ø4.33" (Ø110 mm)
#2	Ø6.29" (Ø160 mm)		