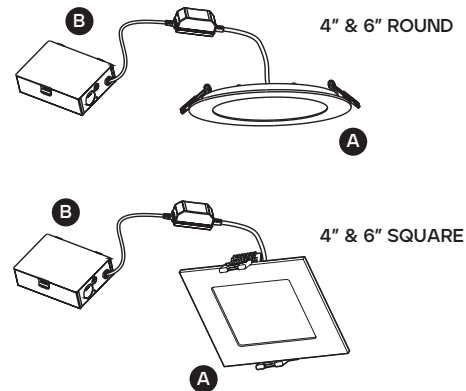


4", 6" SMART RECESSED MINI PANEL – RGB + WW TUNABLE WHITE LR22740, LR22742, LR22745, LR22748



INCLUDED IN THE BOX

	PARTS	QTY.
A	FIXTURE	1
B	JUNCTION BOX WITH CONNECTOR	1

SAFETY INSTRUCTIONS

Please read and understand all instructions before operating or installing the product. Failure to do so may lead to electric shock, fire or other injuries that could be hazardous or even fatal.

- SHUT OFF THE ELECTRICITY TO THE WIRES THAT YOU ARE WORKING ON.
- DO NOT open, no user serviceable parts inside. Any changes or modifications and applications not expressly approved by the manufacturer could void the user's authority to operate the equipment and warranty.

WARNING

RISK OF FIRE OR ELECTRIC SHOCK

- LED retrofit kit installation requires knowledge of luminaires electrical systems. DO NOT attempt installation if no qualified. Contact a qualified electrician.
- Install this kit only in the luminaires that have the construction features and dimensions shown in the photographs and/or drawings.
- DO NOT exceed the input rating of the luminaire.
- DO NOT make or alter any open holes in an enclosure of wiring or electrical components during installation.
- To prevent wiring damage or abrasion, DO NOT expose wiring to edges of sheet metal or other sharp objects.
- This device is not intended for use with emergency exits.
- This luminaire has been modified to operate LED lamp. DO NOT attempt to install or operate incandescent lamps or CFL in this luminaire.
- Suitable for TYPE IC or TYPE NON-IC luminaires.
- This retrofit kit is accepted as a component of a luminaire where the suitability of the combination shall be determined by authorities having jurisdiction.

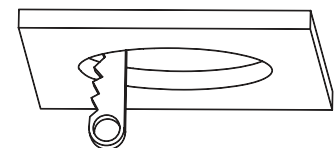
CAUTION

- CONNECT FIXTURE TO A 120V, 60HZ POWER SOURCE ONLY. ANY OTHER CONNECTION WILL VOID THE WARRANTY.

This device complies with Part 15 of the FCC Rules. Operation is subject to the following two conditions: (1) This device may not cause harmful interference, and (2) this device must accept any interference received, including interference that may cause undesired operation. This equipment has been tested and found to comply with the limits for a Class B digital device, pursuant to part 15 of the FCC Rules. These limits are designed to provide reasonable protection against harmful interference in a residential installation. This equipment generates, uses and can radiate radio frequency energy and, if not installed and used in accordance with the instructions, may cause harmful interference to radio or television reception, which can be determined by turning the equipment off and on. The user is encouraged to try to correct the interference by one or more of the following measures.

- Reorient or relocate the receiving antenna.
- Increase the separation between the equipment and the receiver.
- Connect the equipment into an outlet on a circuit different from that to which the receiver is connected.
- Consult the dealer or an experienced radio/TV technician for help.

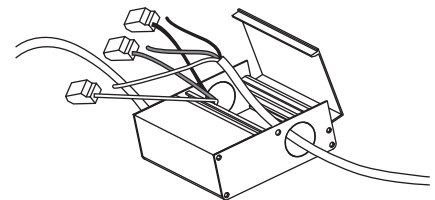
FIG. 1



4" CUTOUT DIAMETER: 4.3"
6" CUTOUT DIAMETER: 6.22"

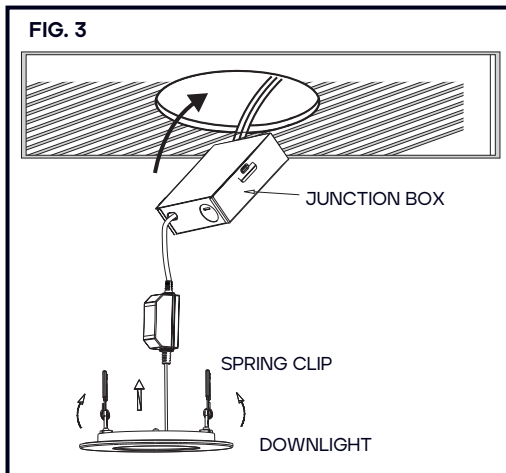
1. USE THE HOLE SIZE TEMPLATE IN THE PACKAGING TO CUT A HOLE IN THE CEILING FOR INSTALLATION.

FIG. 2

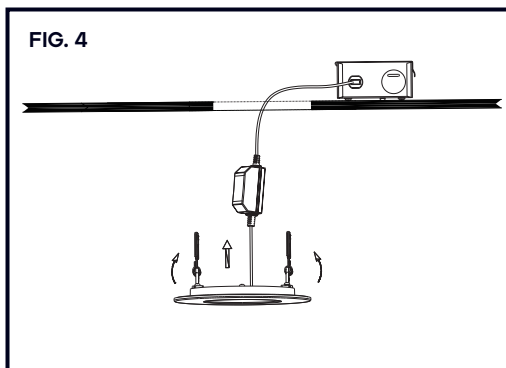


1. REMOVE THE KNOCKOUTS FOR WIRING AND OPEN THE JUNCTION BOX. JUNCTION BOX CONTAINS THREE WIRES: HOT (BLACK), NEUTRAL (WHITE) AND BARE GROUND. CONNECT THE TWO HOT WIRES TOGETHER (ONE FROM THE LIGHT SWITCH CABLE AND THE OTHER FROM THE RECESSED HOUSING). REPEAT THE STEP WITH THE TWO NEUTRAL WIRES. CLOSE THE JUNCTION BOX TO COMPLETE THE WIRING. **Simply place electric cables to quick wiring connector.

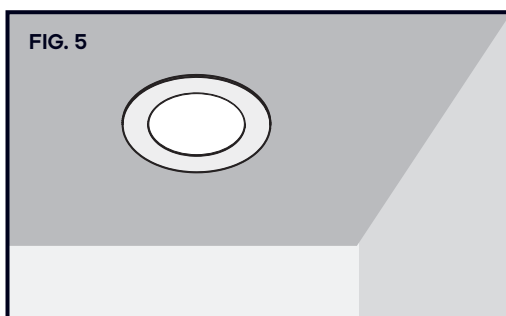
4", 6" SMART RECESSED MINI PANEL - RGB + WW TUNABLE WHITE LR22740, LR22742, LR22745, LR22748



3. CONNECT DOWNLIGHT TO JUNCTION BOX. PLACE JUNCTION BOX INTO THE CEILING.



4. PUSH THE EASY MOUNT CLIPS UP AND INSERT THE DOWNLIGHT INTO THE CEILING, RELEASE CLIPS TO MOUNT THE DOWNLIGHT ON THE CEILING.



5. SECURE THE DOWNLIGHT, THE INSTALLATION IS COMPLETED.

CARE & MAINTENANCE

Clean with non-abrasive glass cleaner and soft cloth. DO NOT use cleaner containing abrasive agents.

- TURN OFF THE POWER BEFORE ATTEMPTING TO MAINTAIN THE LUMINAIRE
- Liquid spray should be applied to the cleaning cloth, DO NOT spray liquid directly onto the fixture.

TROUBLE SHOOTING

FIXTURE DOES NOT LIGHT

POSSIBLE SOLUTION AND CORRECTIVE ACTION

1. Power is off - Check fuse, circuit breaker and switch.
2. Incorrect wire connection - Check wiring

CIRCUIT BREAKER TRIPS WHEN TURNED ON

POSSIBLE SOLUTION AND CORRECTIVE ACTION

1. Incorrect wire connection - Check wiring

FLICKERING WHEN TURNED ON

POSSIBLE SOLUTION AND CORRECTIVE ACTION

1. Dimmer not compatible
2. Loose wiring - Check wiring
3. Faulty switch - Check switch

LUXSMART
BY LUXRITE.



1. Download & create an account on the Smart Life or Tuya App.
2. To connect device open app, select "+", and follow the instructions on the app.
3. Enter your WiFi credentials to connect to your home network.
4. Follow instructions on the app to connect to your fixture.
5. Once the fixture is paired successfully, rename it and select "Done".
6. Follow instructions on the app to pair with your preferred home assistant.

Amazon, Alexa and all related logos are trademarks of Amazon.com, Inc. or its affiliates.

Google and Google Play are trademarks of Google LLC.

LUX SMART

BY LUXRITE®

CANLESS WIFI RGB COLOR SMART ULTRA-SLIM DOWNLIGHT



Scan QR Code
to download
Smart life App
directly.



download



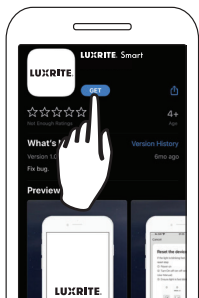
install



connect

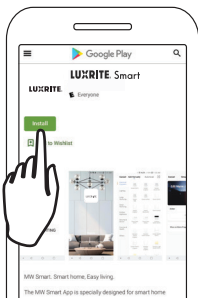
APP INSTALLATION

Download the Smart life App to your smart mobile device by scanning the QR Code. The Smart life App is available in both App Store and Google Play Store, and it's free to use for your **LUXRITE** Lighting products.



App Store

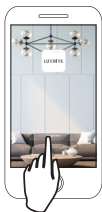
OR



Google Play Store

CREATE YOUR ACCOUNT

Open the downloaded Smart life App



Enter your email or phone number to register a user account.

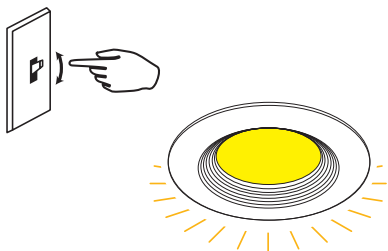


Enter the verification code you received over your email or text message. You can login to your Smart life App account after setup the password.



WI-FI CONNECTION

Turn on the smart downlight and then turn it off after 1 second. Light will flash after you repeat the action couple times, indicating the downlight is ready for WI-FI connection.



Go to WI-FI settings of your smart phone and make sure it's connected to 2.4GHz WI-FI network if you are using a dual band router.

Wi-Fi



✓ MyNetwork2.4g

* This smart light only works with 2.4Hz WI-FI network. Make sure the 2.4Hz network is enabled on the router.

WI-FI CONNECTION

Open Smart life App and select [Add Device].

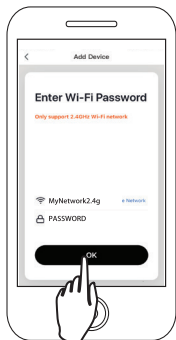
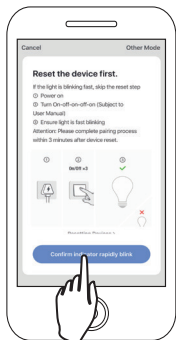


Select [Lighting (Wi-Fi)] under Lighting category.

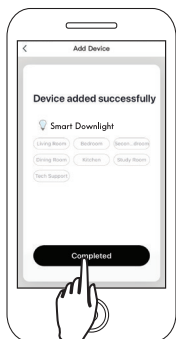
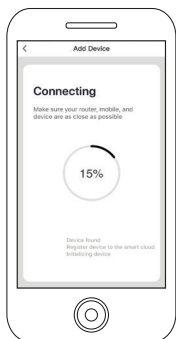


WI-FI CONNECTION

Confirm the smart downlight is blinking rapidly then enter your WI-FI network and password.

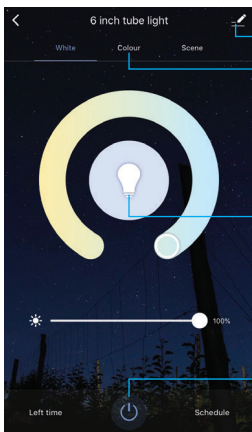


The smart downlight can be control via Smart life App once the connection is established.



USING SMART LIFE APP

Select the device to access the control panel



more settings options

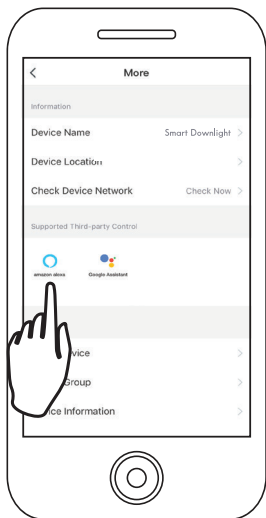
change the color of your light

turn your light on / off

program the timer automatically operate your smart light.

USING SMART LIFE APP

Select the matching icon in [More] settings menu and follow the directions to setup Amazon Alexa or Google Assistant.



* Application may appear differently with your app as frequent updates and improvements are being made to the software.