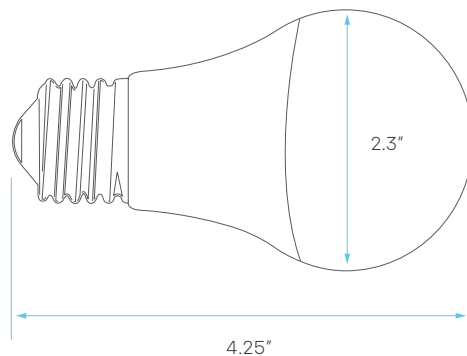


## LED LAMP A-SERIES - COLOR A19



A19



## ELECTRICAL

MODEL	DESCRIPTION	POWER	INPUT VOLTS	LIFETIME	COST/YR	BASE
LR21490	LED8A19/YELLOW	8	120V	10,000	\$ 0.96	E26
LR21491	LED8A19/BLUE	8	120V	10,000	\$ 0.96	E26
LR21492	LED8A19/GREEN	8	120V	10,000	\$ 0.96	E26
LR21494	LED8A19/PURPLE	8	120V	10,000	\$ 0.96	E26
LR21495	LED8A19/RED	8	120V	10,000	\$ 0.96	E26

## PHOTOMETRIC

MODEL	DESCRIPTION	COLOR (CCT)	LIGHTS UP	FLOOD	FINISH	UL LISTED
LR21490	LED8A19/YELLOW	YELLOW	YELLOW	220°	FROSTED	YES
LR21491	LED8A19/BLUE	BLUE	BLUE	220°	FROSTED	YES
LR21492	LED8A19/GREEN	GREEN	GREEN	220°	FROSTED	YES
LR21494	LED8A19/PURPLE	PURPLE	PURPLE	220°	FROSTED	YES
LR21495	LED8A19/RED	RED	RED	220°	FROSTED	YES