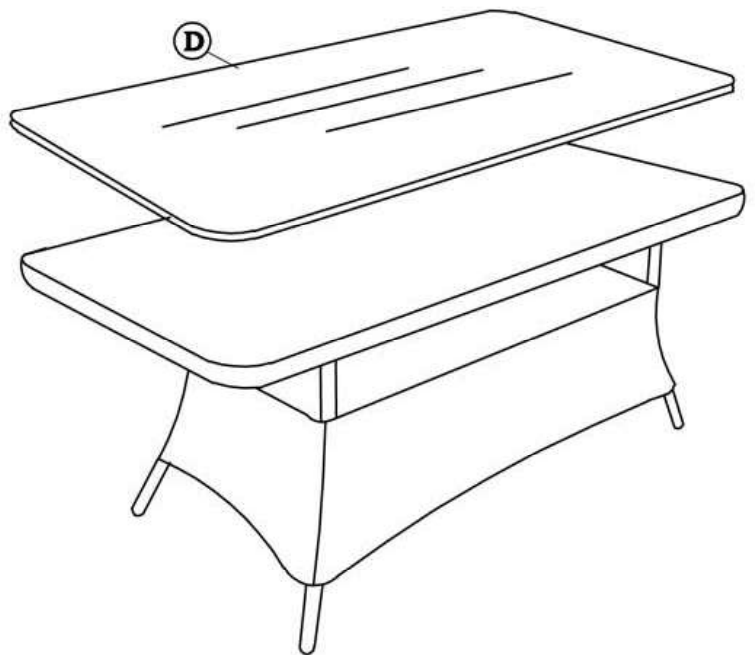
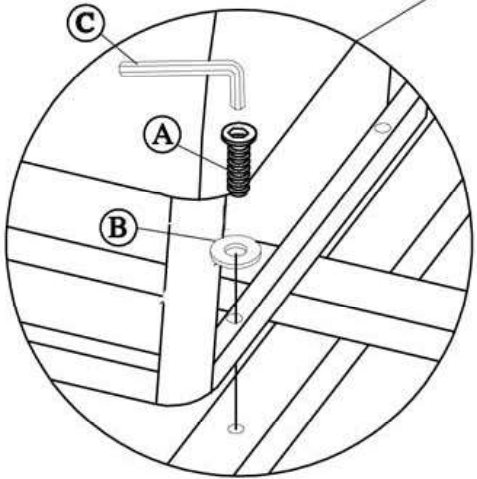
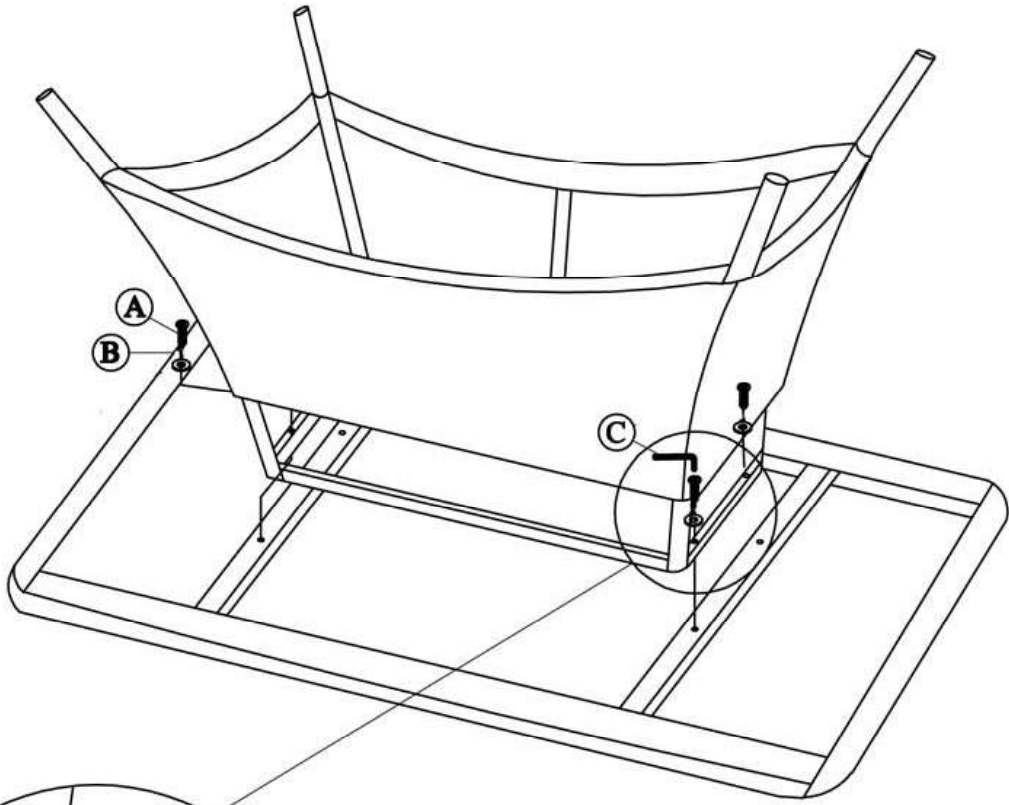






ASSEMBLY INSTRUCTION



HARDWARE LIST

Code	NAME	PICTURE	Q'TY
A	BOLT : DIA 6 x 35mm		4PCS
B	FLAT WASHER		4PCS
C	ALLEN KEY		1PC
	GLASS TOP		1PC