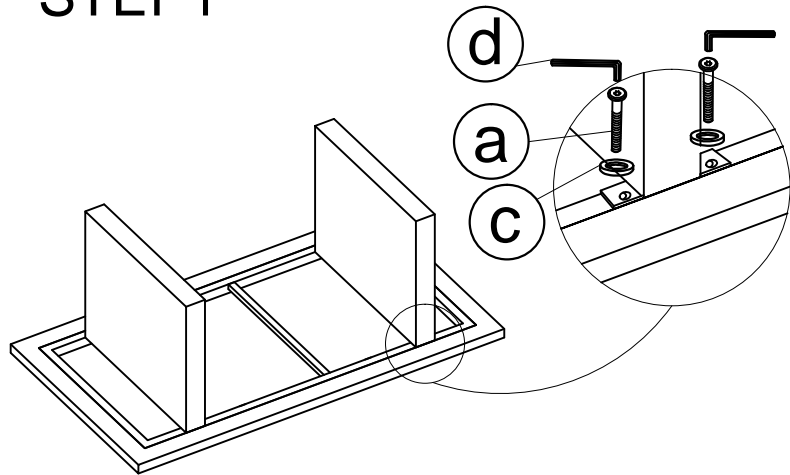
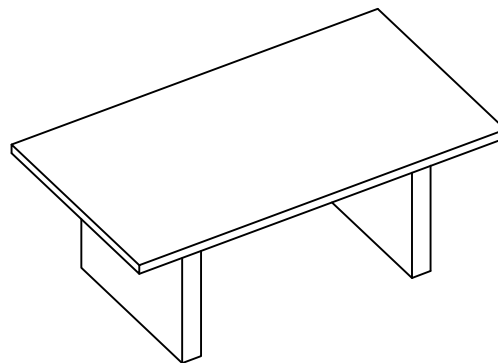
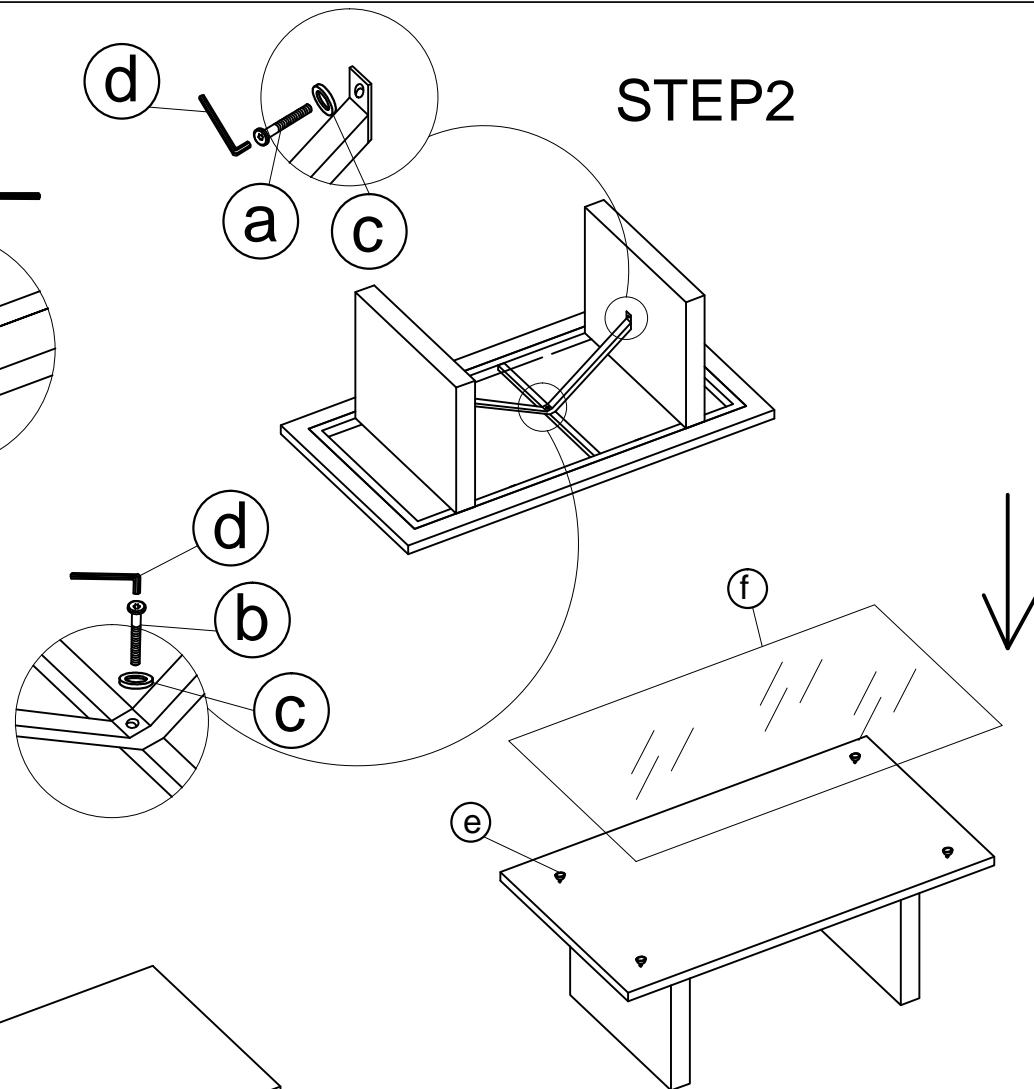


# ASSEMBLY INSTRUCTIONS






STEP1



STEP2



## HARDWARE LIST

(a)	BOLT M6X25 	10 PCS
(b)	BOLT M6X35 	1 PC
(c)	FLAT WASHER 	11 PCS
(d)	ALLEN WRENCH 	1PC
(e)		4 PCS
(f)	