



Smart coffee instrument that turns coffee brewing into a special experience.



**REMOVABLE CERAMIC LID and CERAMIC FUNNEL**  
designed for optimal airflow and flavor extraction

**STAINLESS STEEL VALVE**  
to perfectly control the coffee drop speed and achieve the perfect taste

**STAINLESS STEEL FRAME**  
lets Gina stand firm on any flat surface

**HEAT RESISTANT SILICON PAD**  
protects all electronic parts

**POWER SOURCE**  
100 mAh LiPo battery

**BLUETOOTH SCALE**  
load cell and high precision 24 bit AD converter

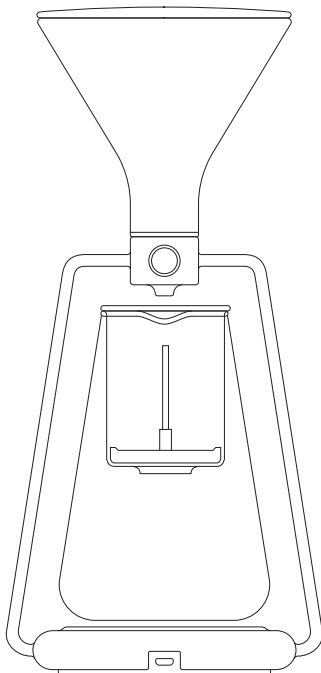


**GLASS PITCHER**

made of resistant borosilicate glass  
ideal to serve your coffee or tea

**COLD DRIP MODULE**

designed for cold drip brewing



**HEIGHT**

345 mm / 13,6"

**WIDTH**

163 mm / 6,4"

**DEPTH**

135 mm / 5,3"

**WEIGHT**

2 kg / 4,4 lbs