



Coffee lovers' award-winning coffee maker



REMOVABLE CERAMIC LID and CERAMIC FUNNEL designed for optimal airflow and flavor extraction

STAINLESS STEEL VALVE to perfectly control the coffee drop speed and achieve the perfect taste

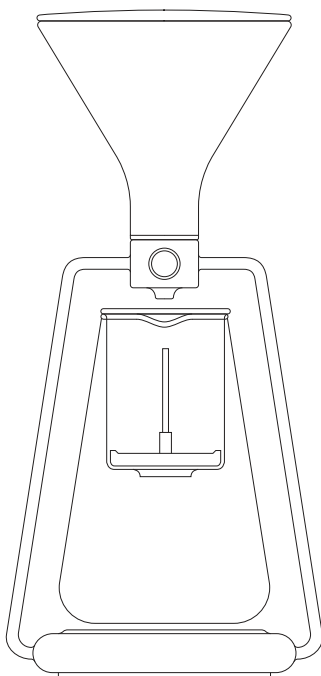
STAINLESS STEEL FRAME lets Gina stand firm on any flat surface

HEAT RESISTANT SILICON PAD



GLASS PITCHER
made of resistant borosilicate glass
ideal to serve your coffee or tea

COLD DRIP MODULE
designed for cold drip brewing



HEIGHT
345 mm / 13,6"

WIDTH
163 mm / 6,4"

DEPTH
135 mm / 5,3"

WEIGHT
1,4 kg / 3,08 lbs