

# **Manual Shower Mixer Valve**

(handle design may vary)

## **INSTALLATION GUIDE & AFTERCARE INFORMATION**



**ENKI®**

**Instructions for BT3918**

**[WWW.HOUSEOFENKI.COM](http://WWW.HOUSEOFENKI.COM)**



## Introduction

This owner's guide shows you how to install, maintain and generally get the most from your manual shower valve. **We recommend installation by a qualified plumber only.**

## Technical Data

This shower valve is suitable for use on all common types of plumbing systems including gravity, pumped and fully modulating combination boilers and high pressure unvented systems. Minimum operating pressure 0.1 bar, maximum operating pressure 5 bar. **Important note: at static water pressures above 5 bar, you must install a pressure reducing valve in the mains supply pipe for optimum results.**

## Test Data

Before proceeding, please note:

1. The valve must be installed in compliance with local water authority byelaws and water supply byelaws.
2. Read all the instruction manual before proceeding.
3. Only begin the installation when you have all the necessary tools ready.
4. Please check that all the components are in the shower valve box.

## Aftercare

When installing or using tools, extra care must be taken to avoid damaging the finish or the fitting. To maintain the appearance of this fitting, please ensure it is cleaned regularly using a clean, soft damp cloth only. Abrasive cleaners or detergents must not be used as they may cause surface deterioration.

## Pre-Installation Notes

1. Identify and check all the parts (shower control handles may differ depending on model).
2. When positioning the shower valve, ensure you have sufficient pressure for an acceptable shower.
3. The hot water feed must always be connected to the left hand inlet of the shower valve as viewed from the front.
4. Both hot and cold supply feeds must have accessible isolator valves fitted in-line for servicing purposes (not supplied).

## Installation

**IMPORTANT:** rinse pipe work carefully for a long while prior to fitting the mixer. Do not allow dirt, metal particles, shavings to block inlets, once this is done turn off water supply.

The shower will be received with the outlet (19) to the bottom and the cold inlet to the right (indicated by a blue dot), this will then allow for the lever to point downwards, if you require the outlet from the top, do not simply turn the valve over.

To change the outlet position, use an allen key to unscrew the threaded outlet (19), then using a flat tool remove the cap from the body plug (20), then using an allen key remove the plug and swap the plug and outlet, re-fit and tighten.

Prepare pipe work (21) at 150mm centres with cold supply to the right.

The supply pipes should allow for inserting into the elbows no less than of 10mm (when nut (11) is not fitted)

Fit the elbows (9) loosely to the valve (15), ensuring to fit sealing washers (17).

Then position wall mounting plate (16) centrally both horizontally and vertically between pipe ends and mark drill holes, once marked, drill holes and insert wall plugs (13).

Place mounting plate (16) up to wall and insert screws (13) and tighten, but not fully

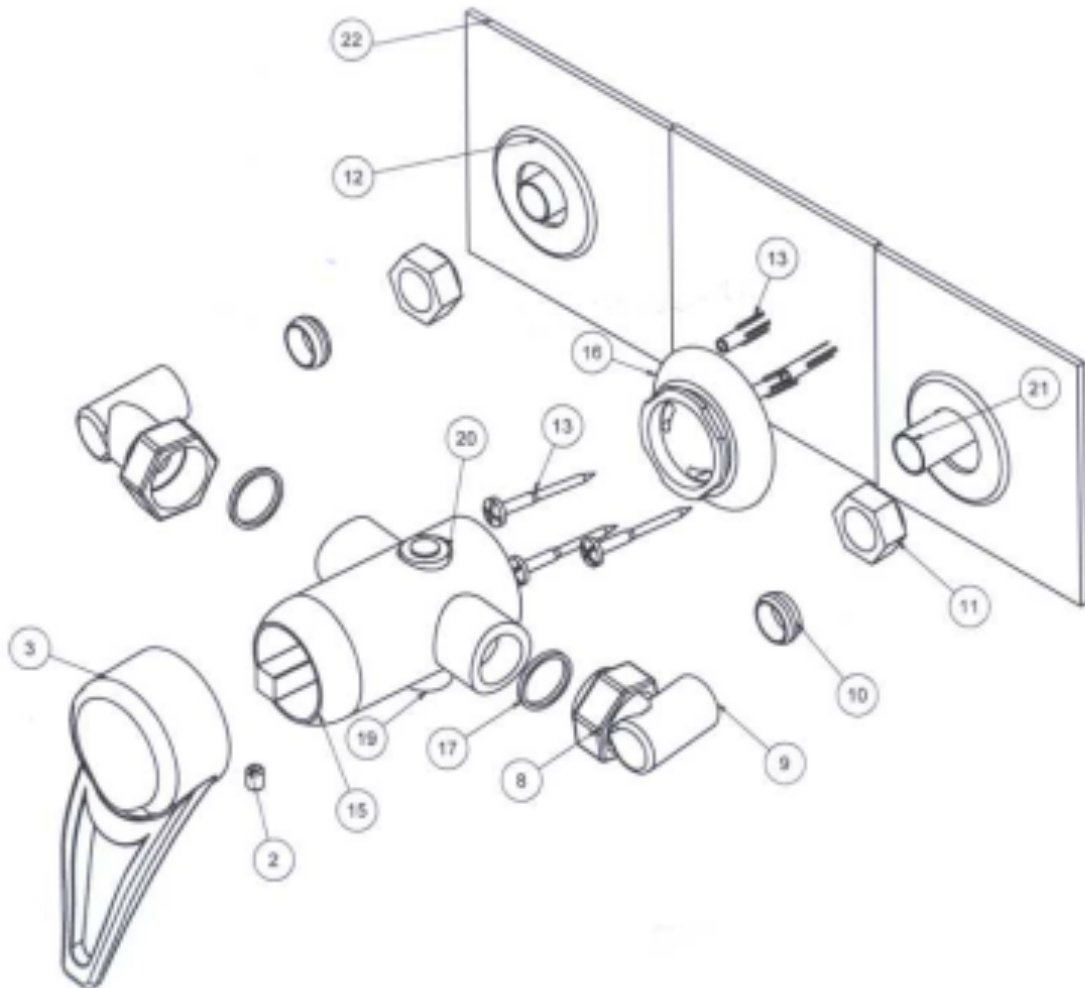
so that the lugs on the body and the plate engage, this may require some maneuvering of the valve or plate, so that the valve is vertical

To secure the valve to the mounting plate (16), you are required to push this onto the plate and twist once this is achieved tighten plate screws and fit valve.

Place the wall trim plates (12) over the pipe ends, sealant may be used to seal behind the trim plates, then the elbows (9) with the nut (11) and olive (10) fitted can then be secured to the pipe ends (21) tighten nuts to on the pipes, along with the nuts (8) to the body.

Once all of this has been done, the lever handle (3) can be fitted, to do this place the lever handle onto the valve, so that it will move equal distances in both directions, once this is done, fit grub screw (2) and tighten using an allen key.

Turn on water supply and check for leaks.



**Replacement cartridge part number: TA043**

## GUARANTEE

This product is manufactured to high standards and guarantee covers any defect in manufacture. Proof of purchase is required. Please have proof of purchase readily available when contacting us.

For full product guarantee details, please visit: <https://houseofenki.com/guarantee/>



**IMD Trading Ltd. T/A HOUSE OF ENKI**

Unit 2, Square Deal Units  
5 West Road  
Harlow  
Essex  
CM20 2BQ  
United Kingdom

**WWW.HOUSEOFENKI.COM**

Enquiries: 0800 086 8793  
Trade: [sales@houseofenki.com](mailto:sales@houseofenki.com)  
Customer care: [support@houseofenki.com](mailto:support@houseofenki.com)

