

The Original  
**smarTrike**<sup>®</sup>



Find us at @smarTrike

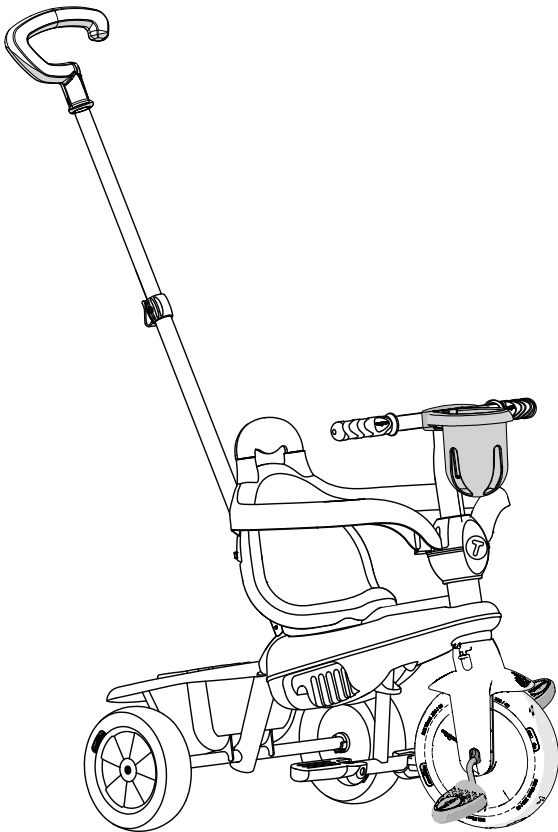
Thank you for buying smarTrike<sup>®</sup>.

If you have any assembly questions,  
please contact us at any time.

---

**help@smart-trike.com**

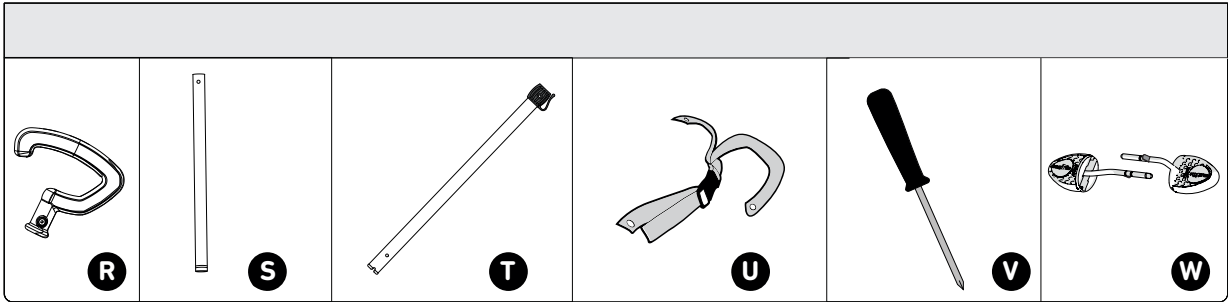
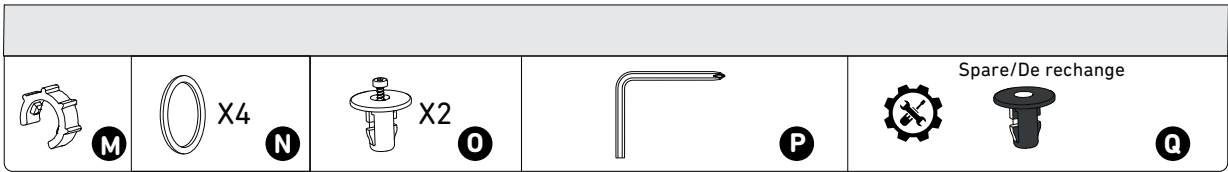
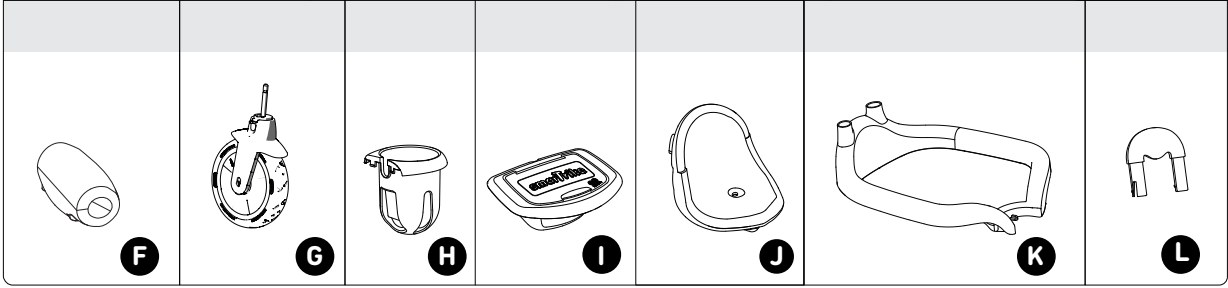
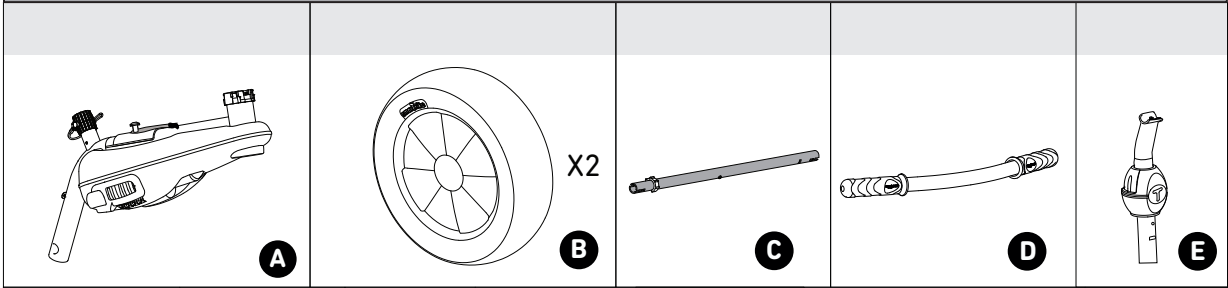
**USA: 1-855-SMTRIKE  
(1-855-768-7453)**



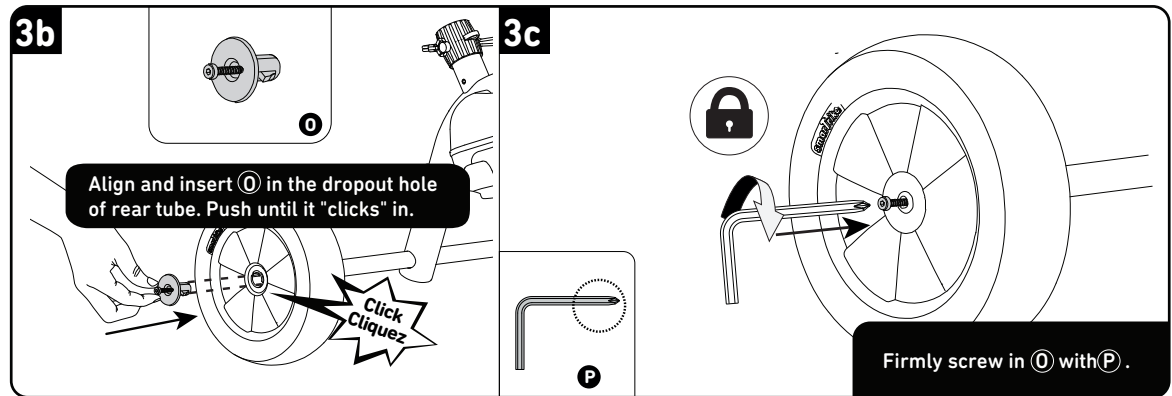
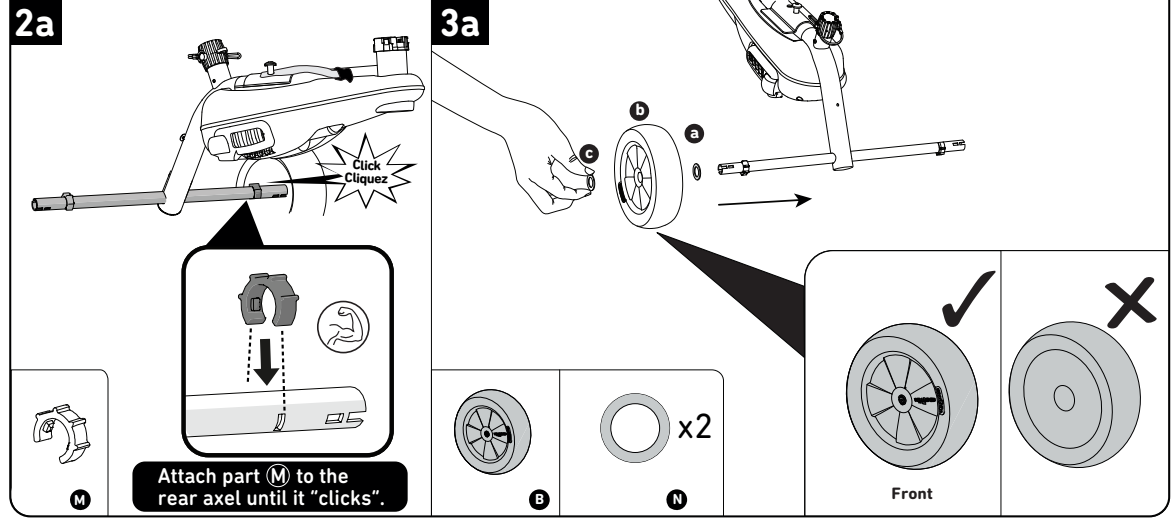
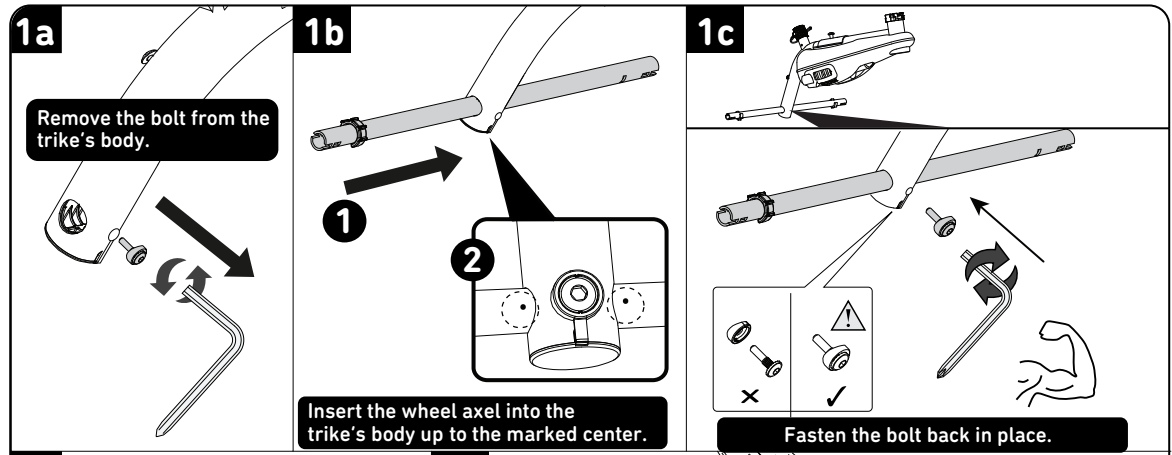
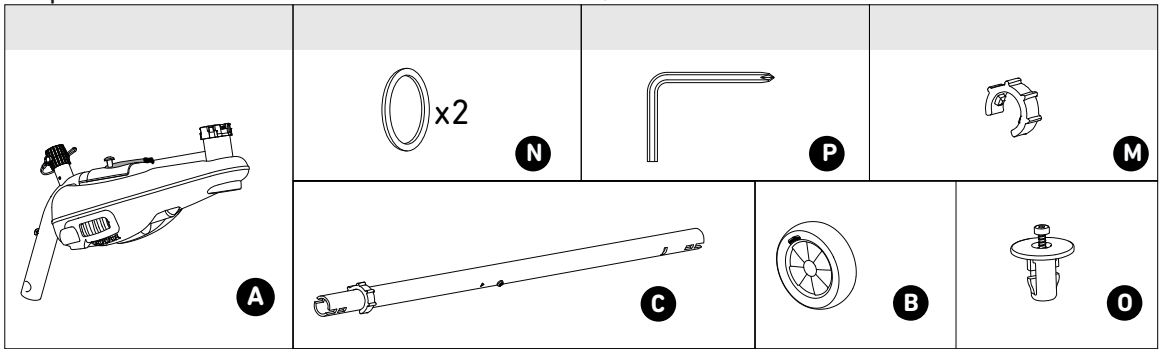
Watch a live assembly !  
Scan this code to view  
a step-by-step visual guide, and  
assemble your product easily.



Breeze™ 605



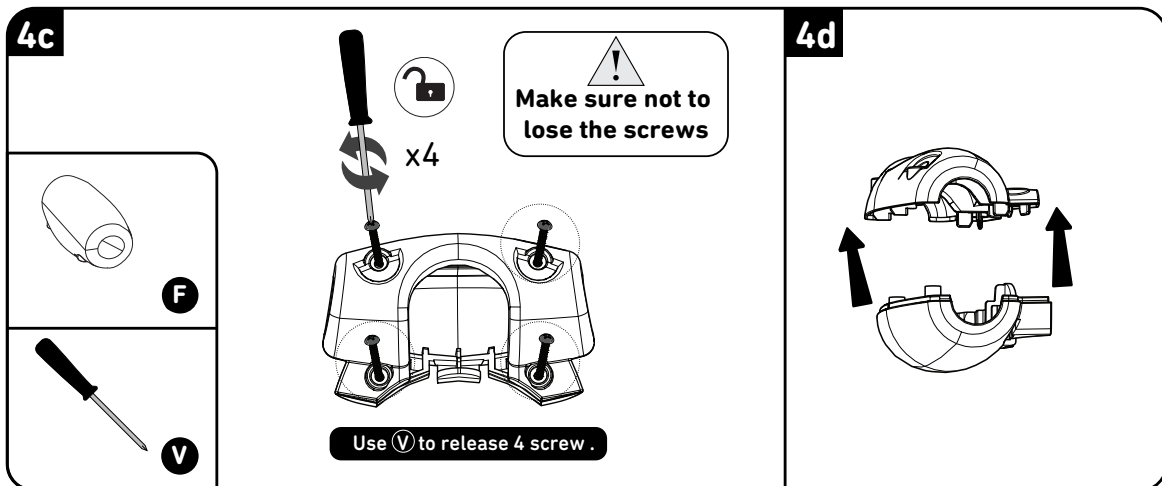
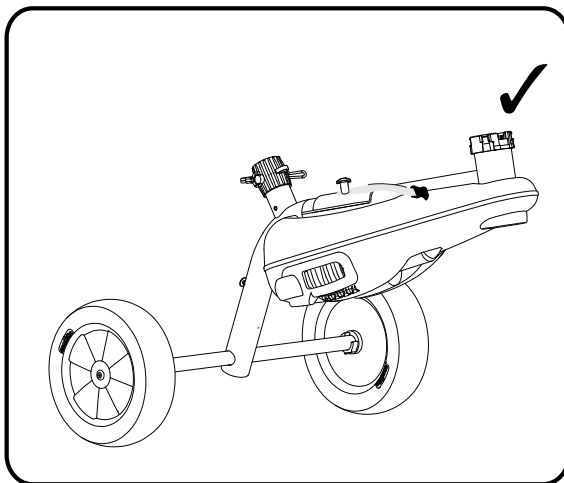
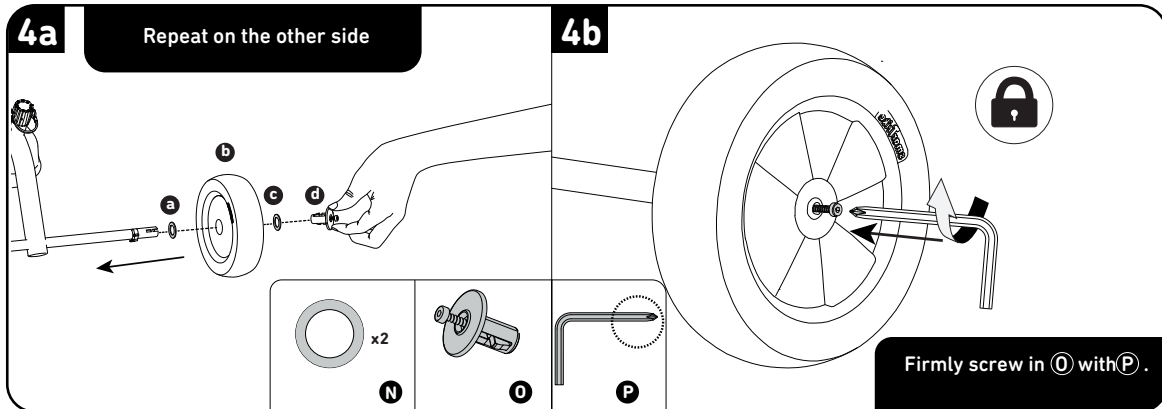
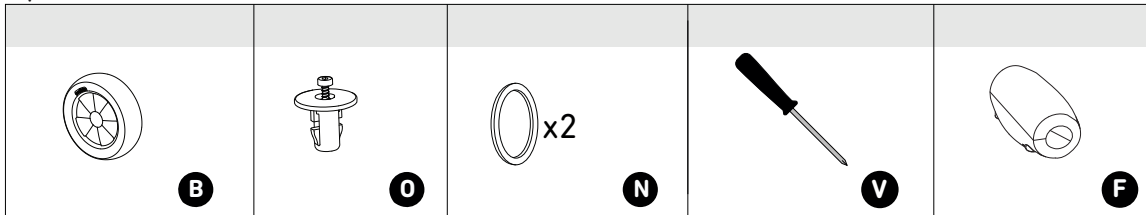






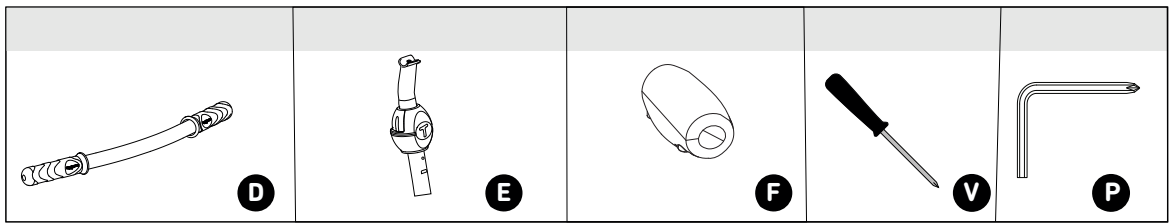
# Step 4

Parts needed to complete this section

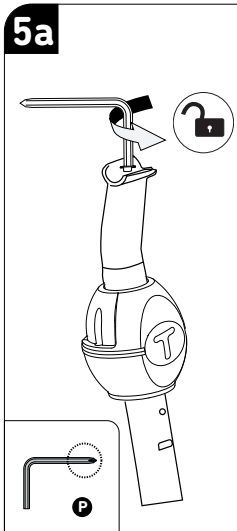


# Step 5-6

Parts needed to complete this section

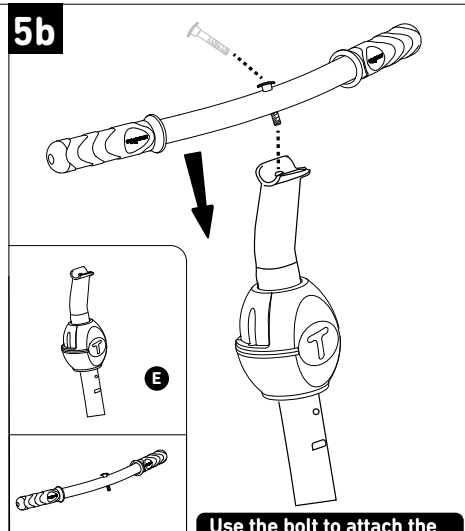


**5a**



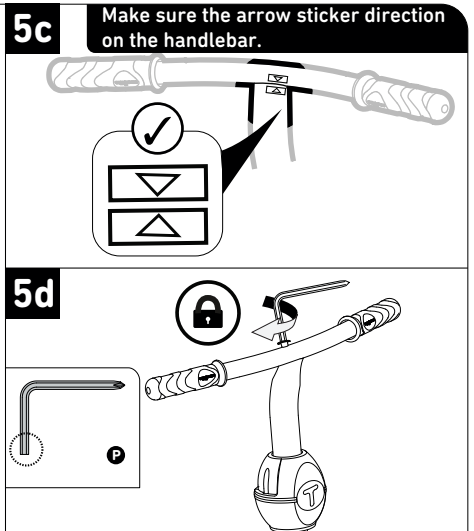
Remove the bolt from the handlebar stem.

**5b**



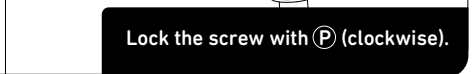
Use the bolt to attach the handlebar.

**5c**



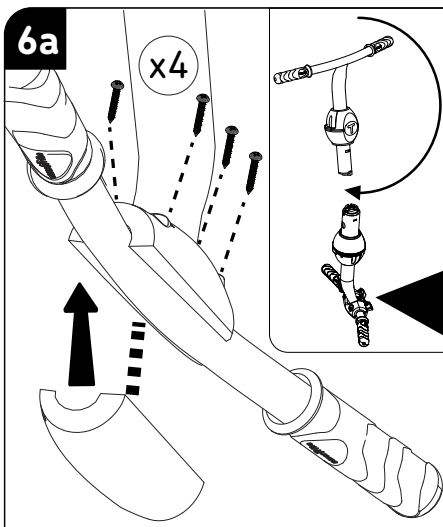
Make sure the arrow sticker direction on the handlebar.

**5d**



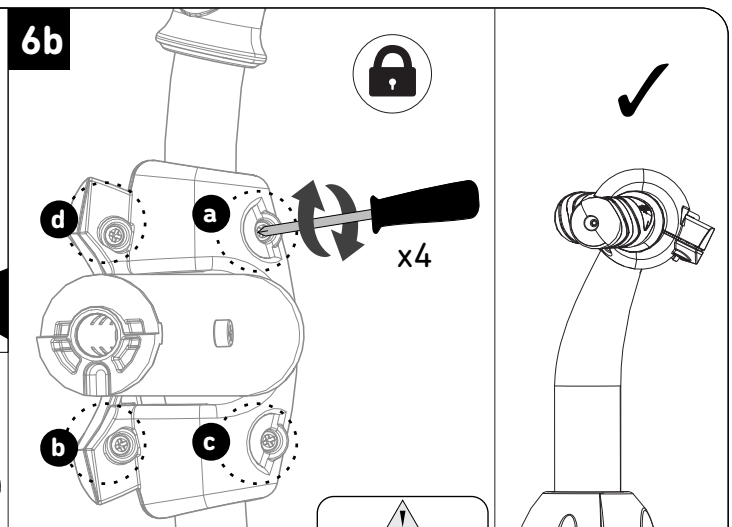
Lock the screw with **P** (clockwise).

**6a**



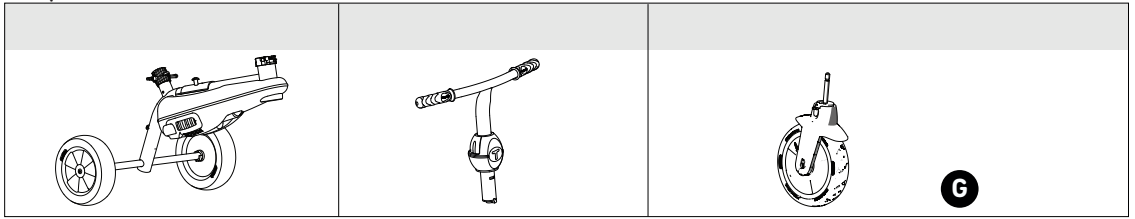
Flip the handlebar to screw in 4 screw.

**6b**

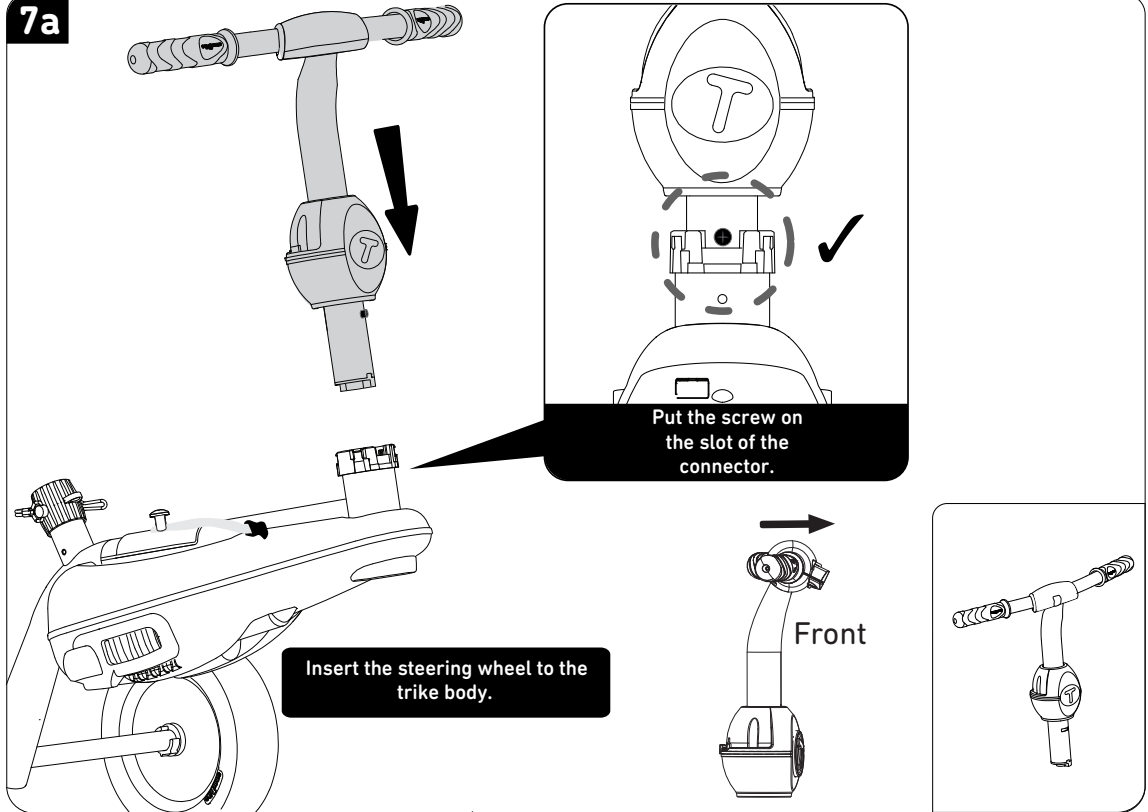


Make sure not to lose the screws

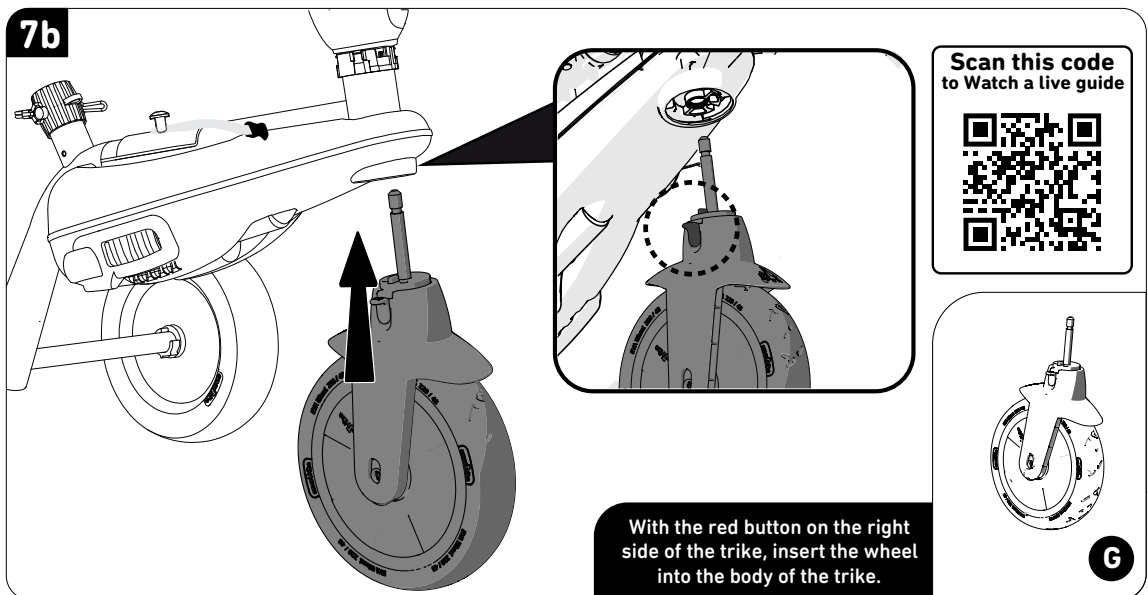
Use **V** to screw in 4 screw (clockwise).  
The screws must be screwed in the order a, b, c, d



7a



7b





A line drawing of a bicycle handlebar assembly. A large black arrow points from the handlebar grip area to a larger, detailed diagram labeled '8a'.

**8a**

Click Cliquez

Cover the connector.

Turn the apple to face you.  
Push the apple until you hear a "click" sound.

The detailed diagram '8a' shows a close-up of the handlebar grip. A starburst bubble contains the text 'Click Cliquez'. To the right, two side-by-side views of the grip are shown. The left view has an 'X' over it, and the right view has a checkmark over it. A black box at the bottom contains the text: 'Turn the apple to face you. Push the apple until you hear a "click" sound.'

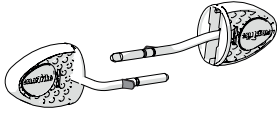
A line drawing of a bicycle handlebar assembly. A large black arrow points from the handlebar cup area to a larger, detailed diagram labeled '8b'.

**8b**

Click Cliquez

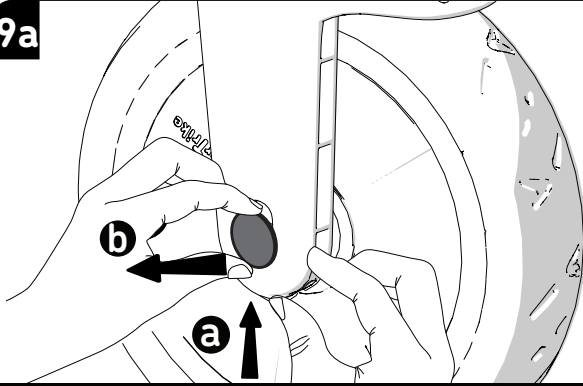
Align part H into the designated holes in the center of the handlebar and push down firmly until it "clicks".

The detailed diagram '8b' shows a close-up of the handlebar cup being inserted into the handlebar. A starburst bubble contains the text 'Click Cliquez'. Below the main diagram is a small inset showing the cup component labeled 'H'.



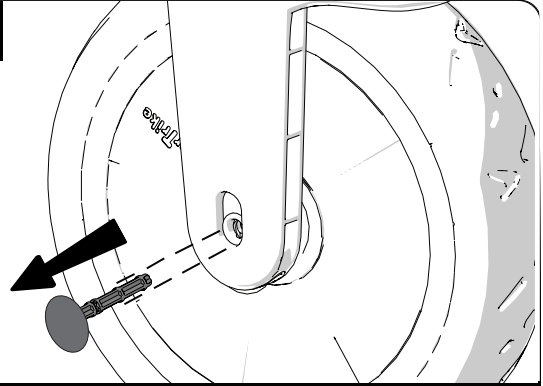
W

9a



a. Push the button to release the plastic cap.  
b. Pull out the plastic cap.

9b

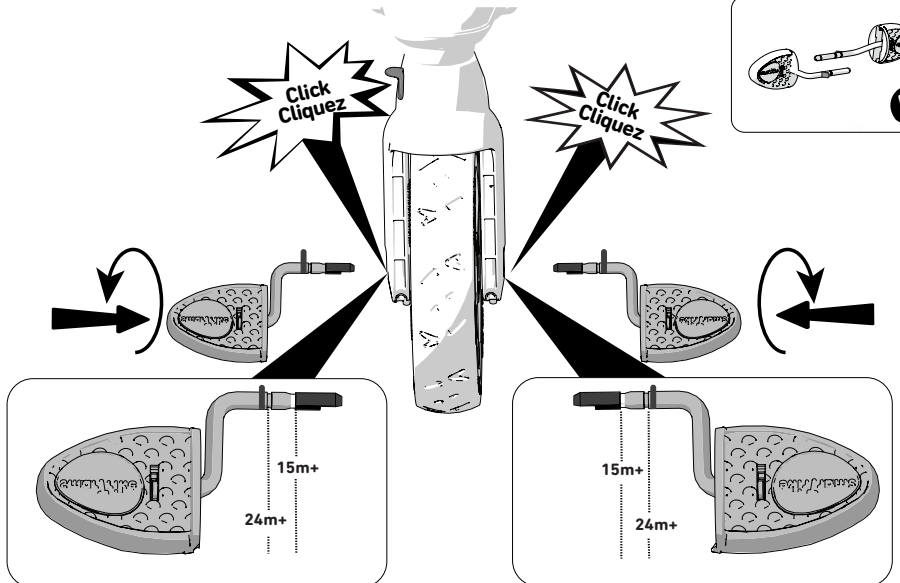
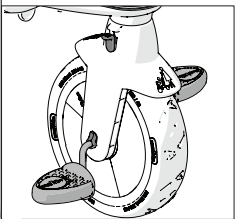


Repeat on the other side

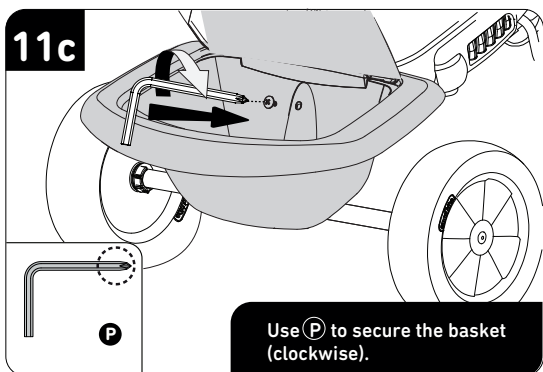
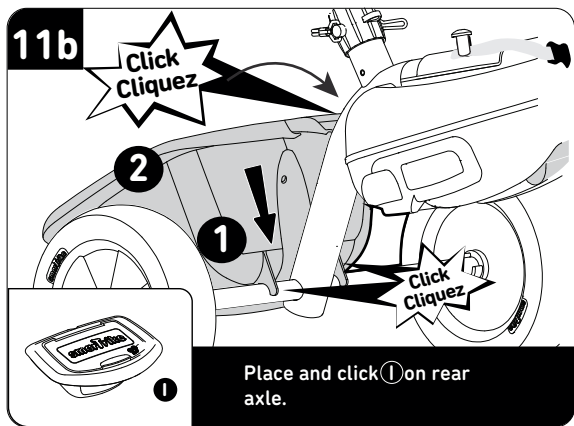
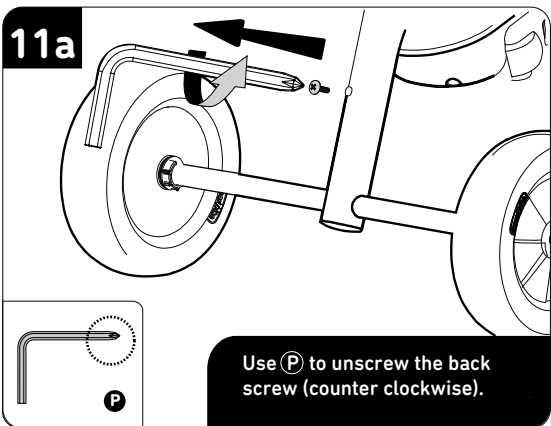
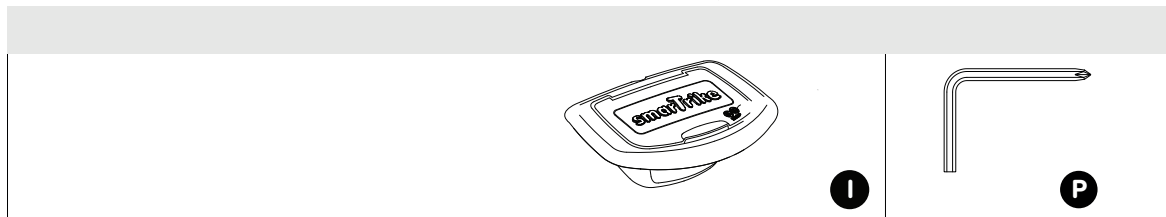
Scan this code to Watch a live guide

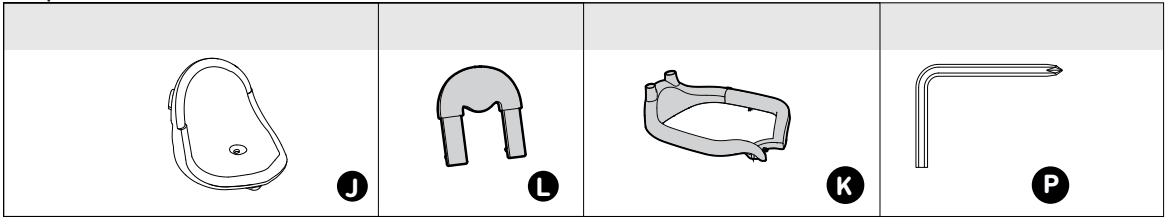


10

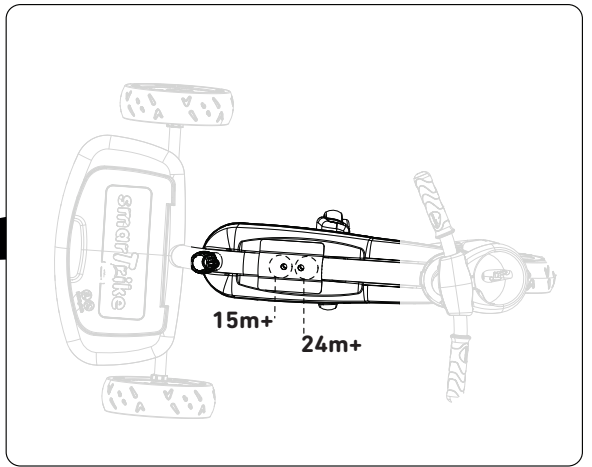
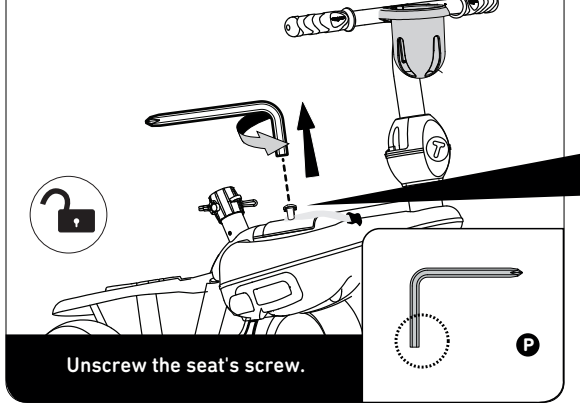


Insert and turn the pedals **W** into the fork until they click.  
The pedals will rotate but will not affect the trike's movement while still in parent mode.

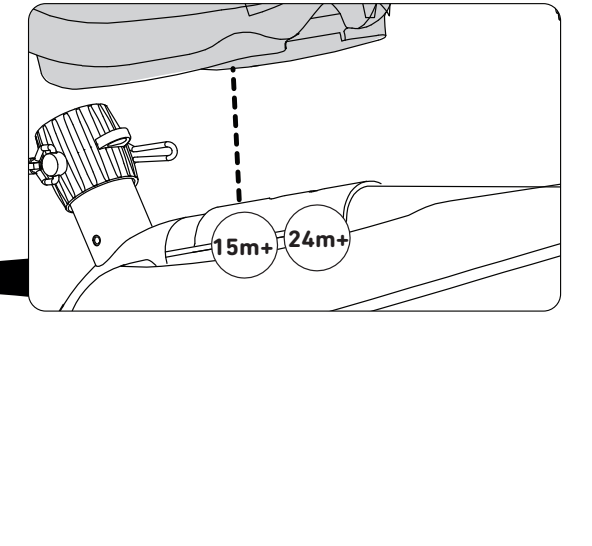
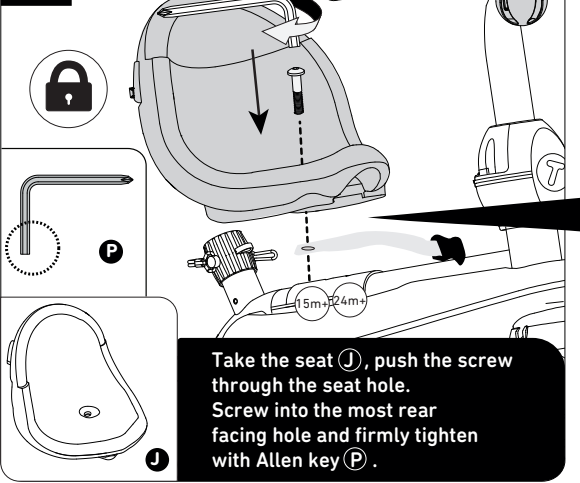




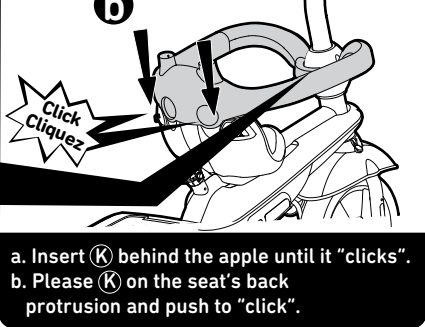
**12a**



**12b**

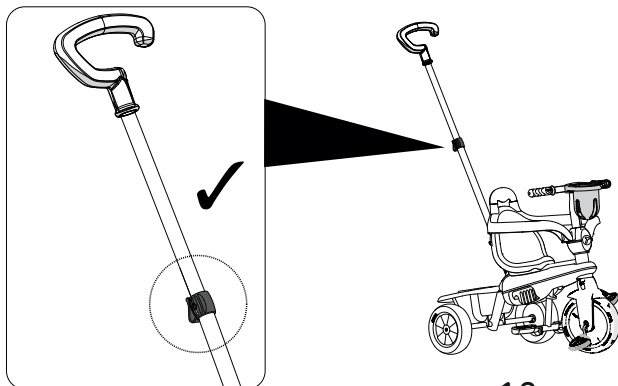
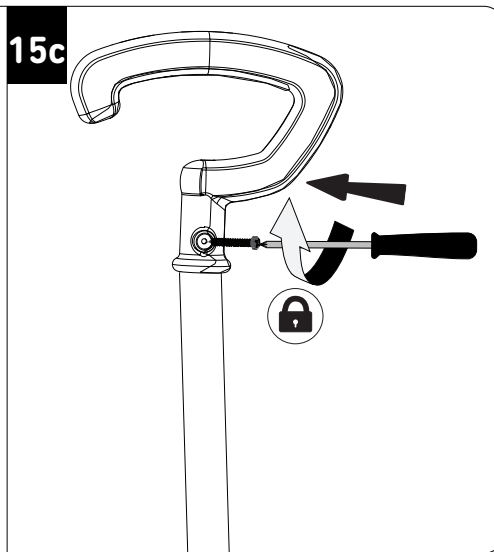
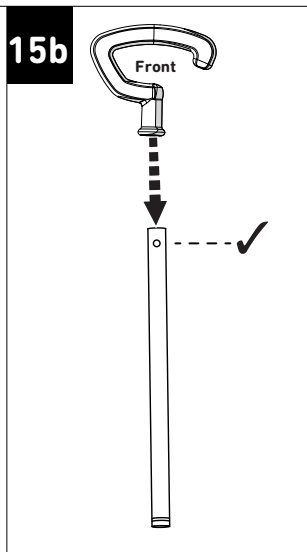
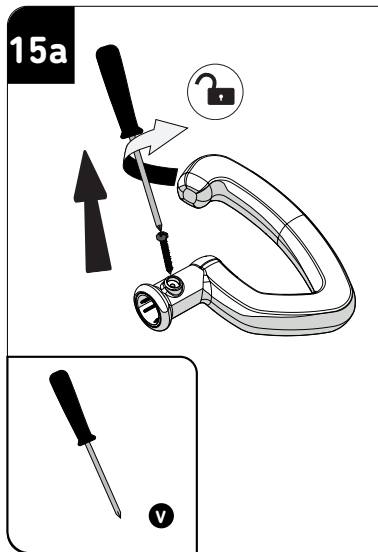
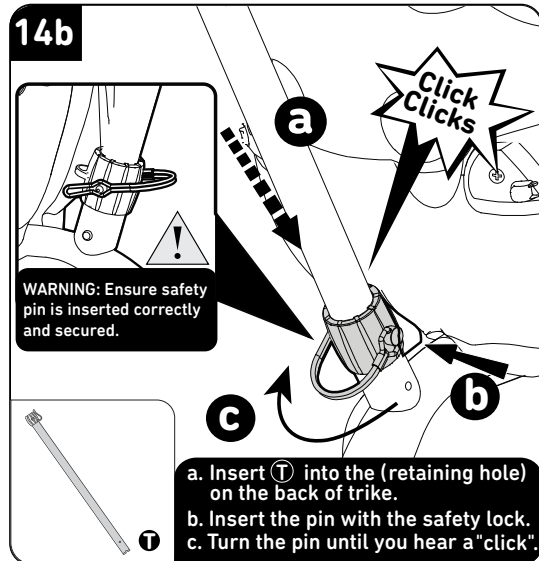
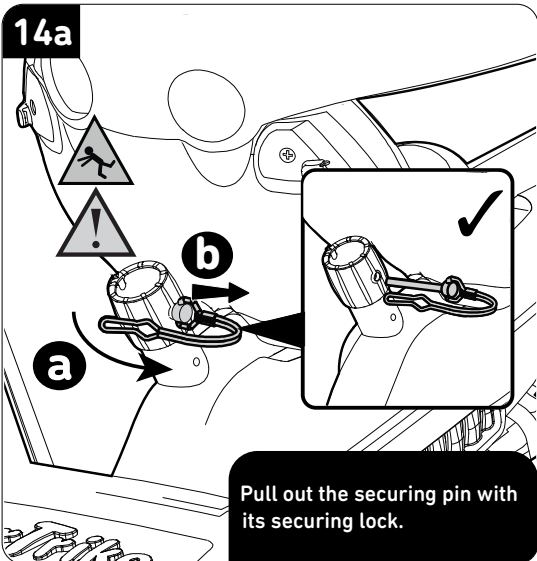
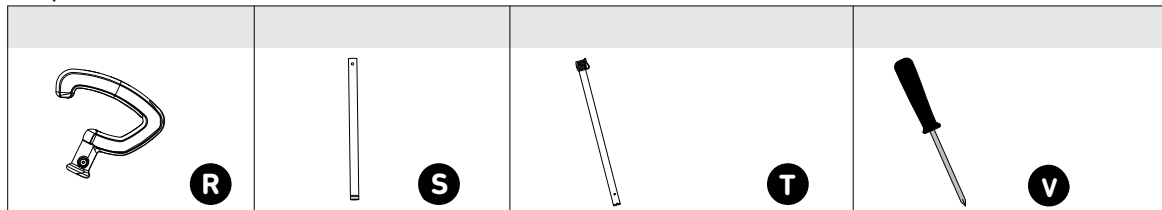


**12c**



**13**







**16a**

**WARNING:** Nut must be inserted correctly and secured.

Keep the nut in place, remove the screw from part ①, by turning counterclockwise.

**16b**

Insert ⑤ into part ①. Align the hole of part ⑤ with the corresponding hole in part ①.

**16c**

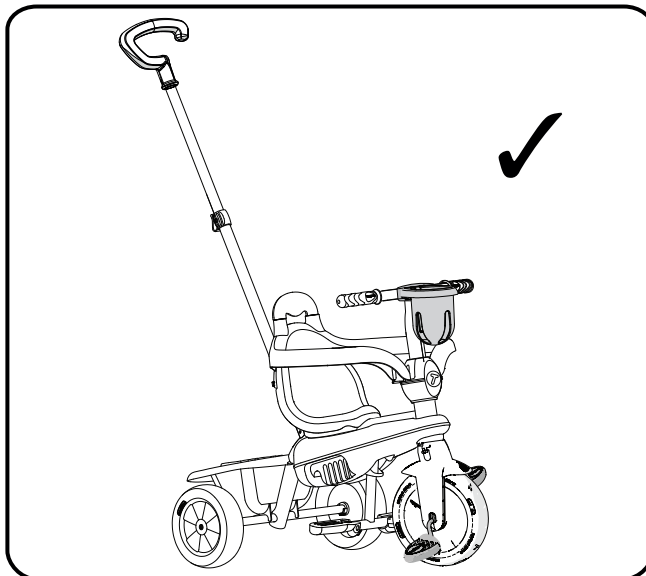
Use ⑥ to screw the nut, clockwise.

**17a**

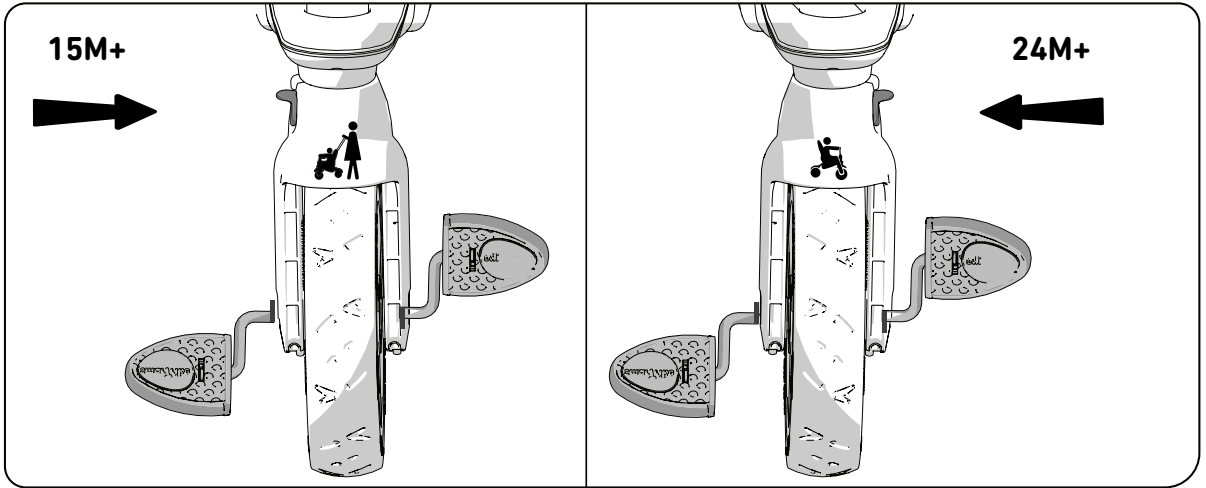
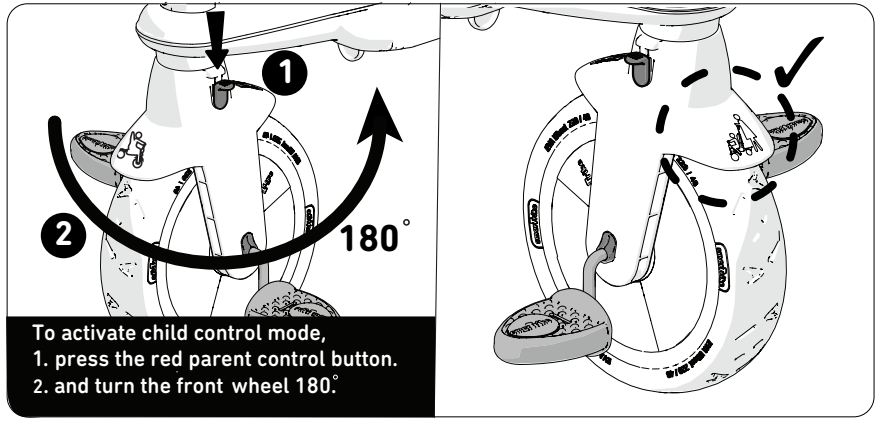
Pull down the the footrest.

**17b**

Pull down the sides of the footrest.



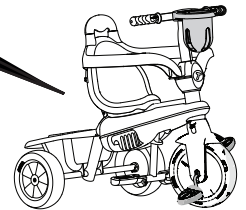
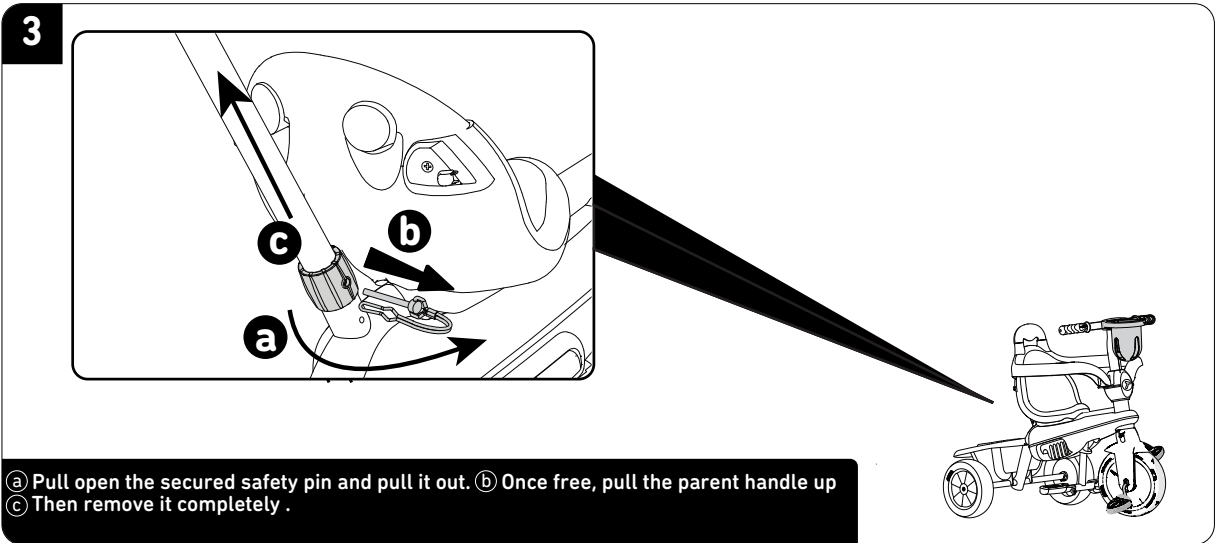
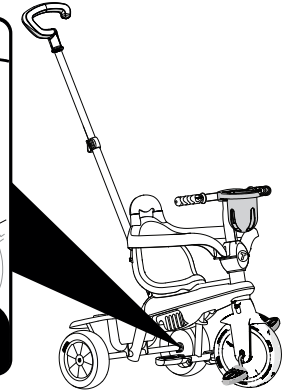
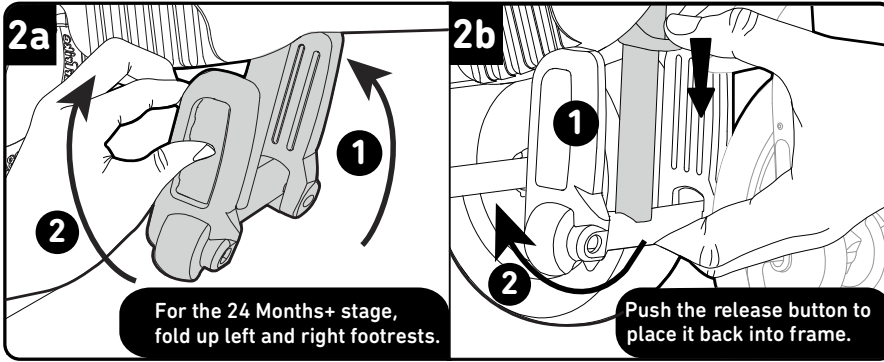
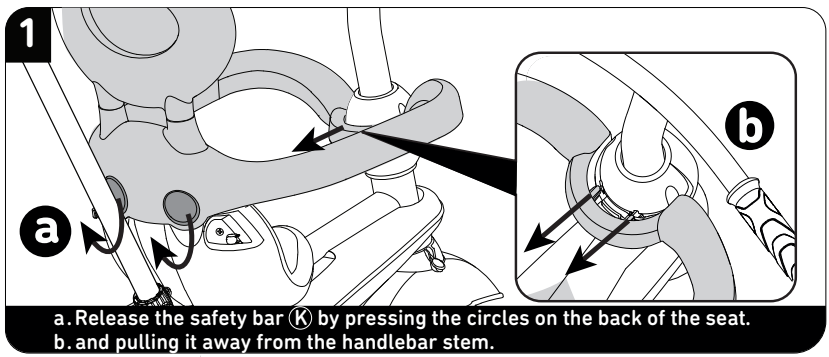
**Usage/Utilisation**  
**15 Months+**

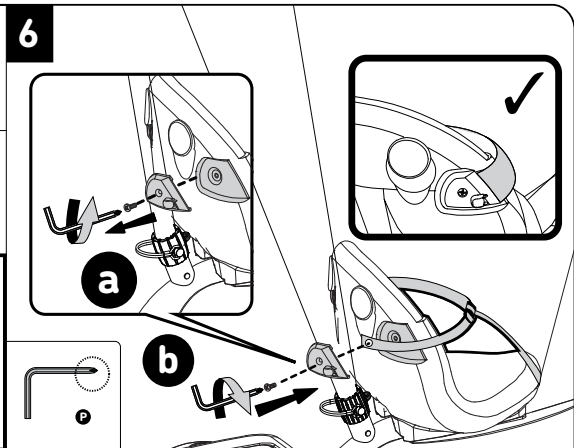
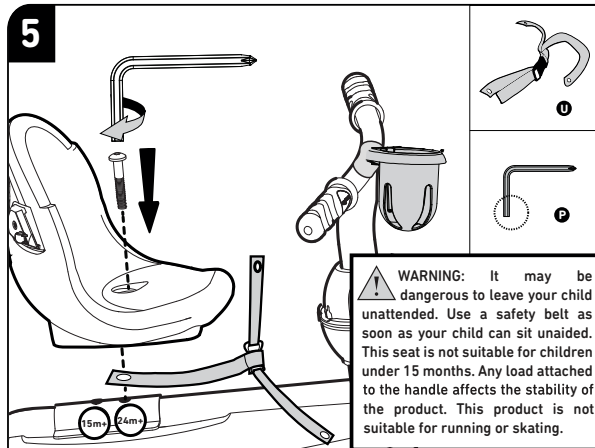
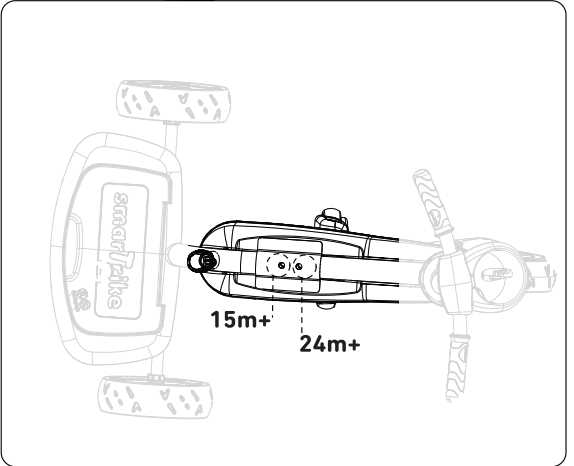
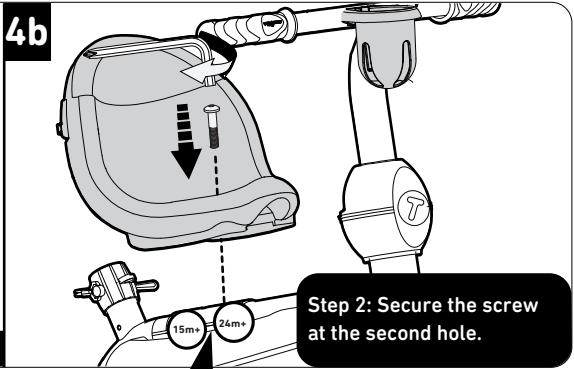
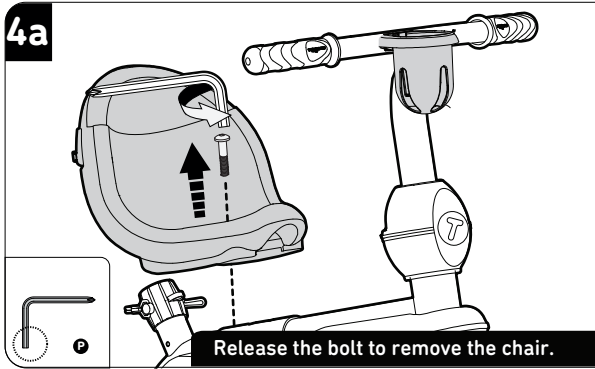
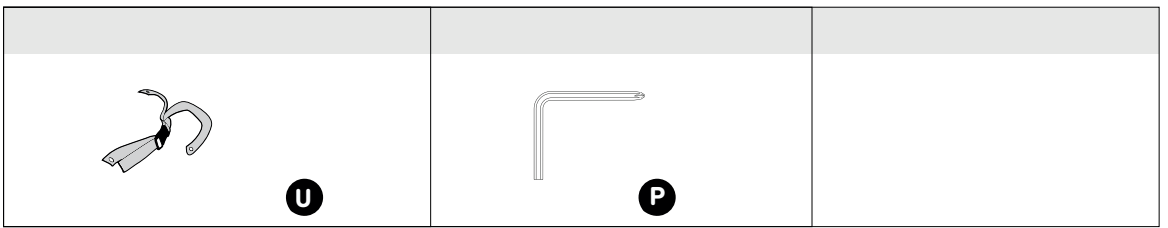


**Scan this code**  
**to watch a live guide**



# Child Control 24 Months+



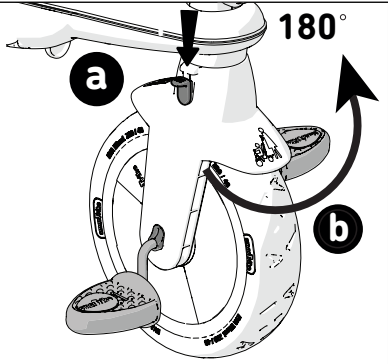


Attach the seat by threading the bolt through the safety belt and the front hole on the trike's body.

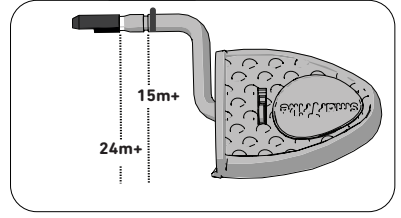
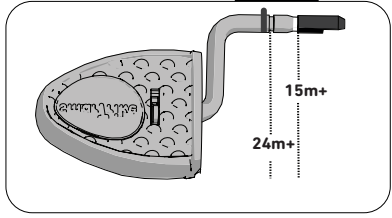
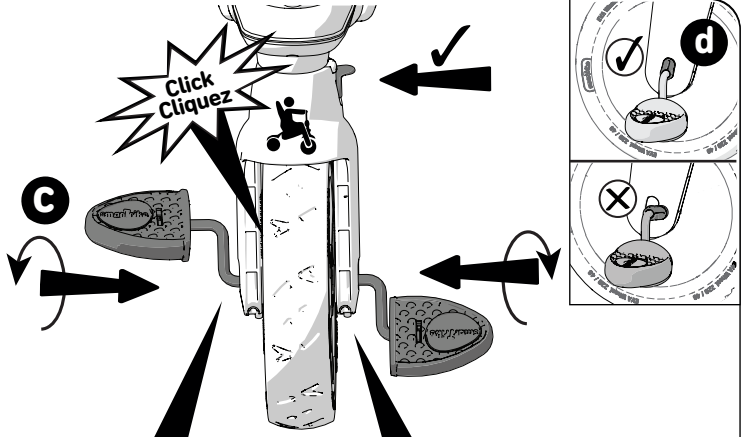
Release the safety belt holder screw (a) and thread the screws through the belt and belt holder (b).

7

Child Control 24 Months+



**!** Without disengaging the lock, Feet may be injured!



**Scan this code  
to watch a live guide**

At 24 months, press the parent control button **a** and turn the wheel 180° **b**. Twist and press the pedals inward **c** while making sure they fit into the depression in the fork. **d**





[www.smarTrike.com](http://www.smarTrike.com)

The Original  
**smarTrike**®

60528308603