

smarTrike® T1

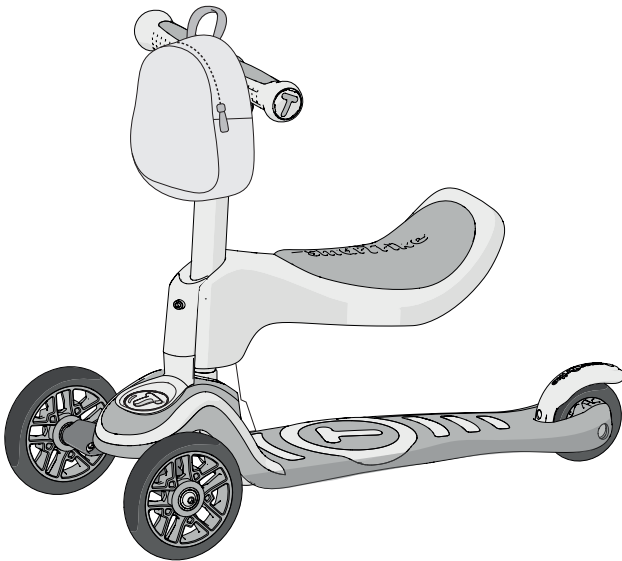
(202)

By/Par smarTrike®

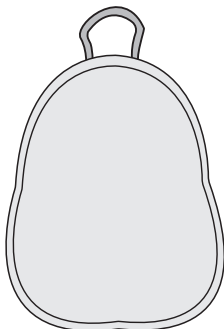
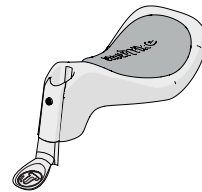
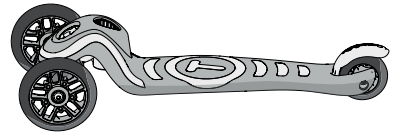
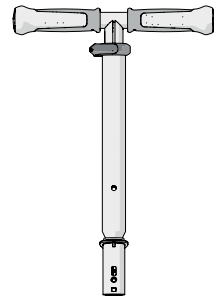


www.smarTrike.com

<https://www.youtube.com/user/SmartTrikeOfficial>

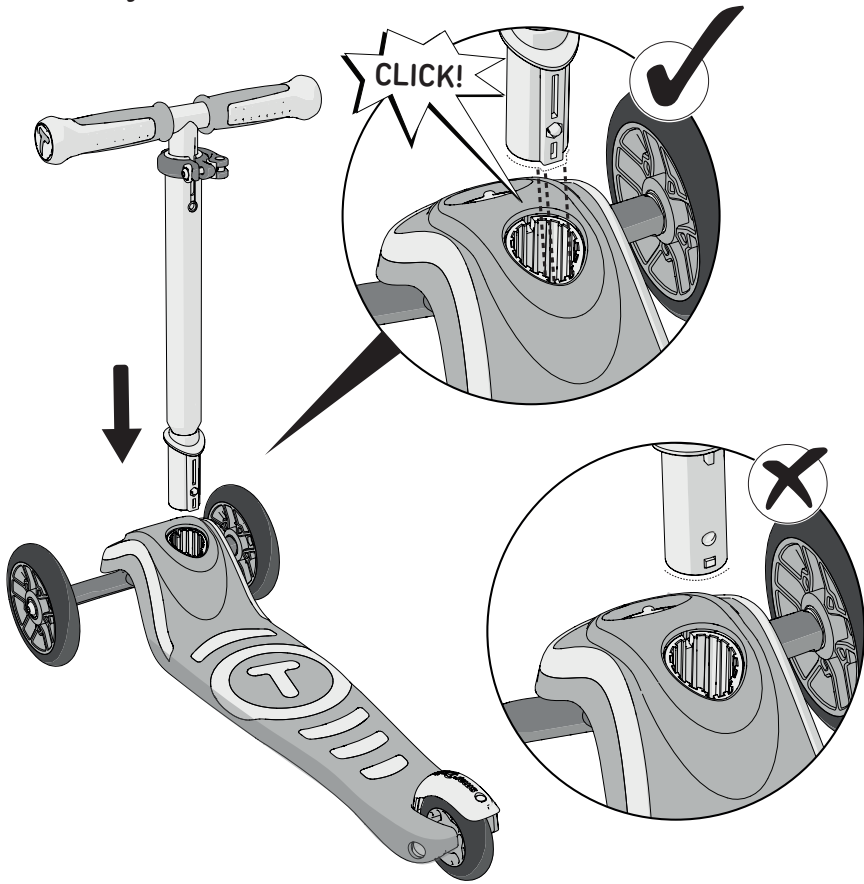


20228333603

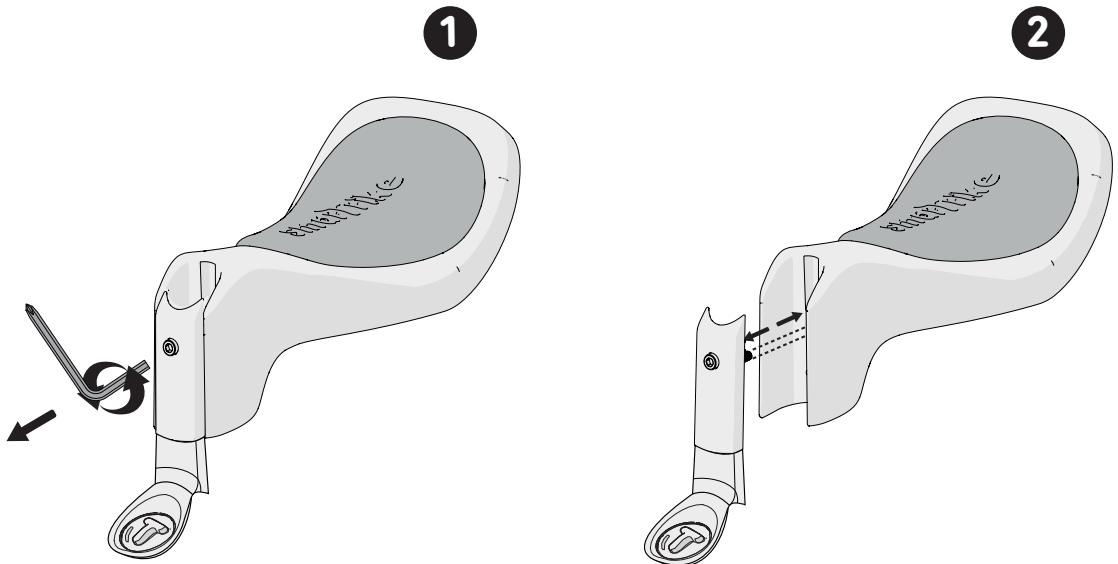


1a

Insert the handlebar into the designated hole, until you hear a 'click'.

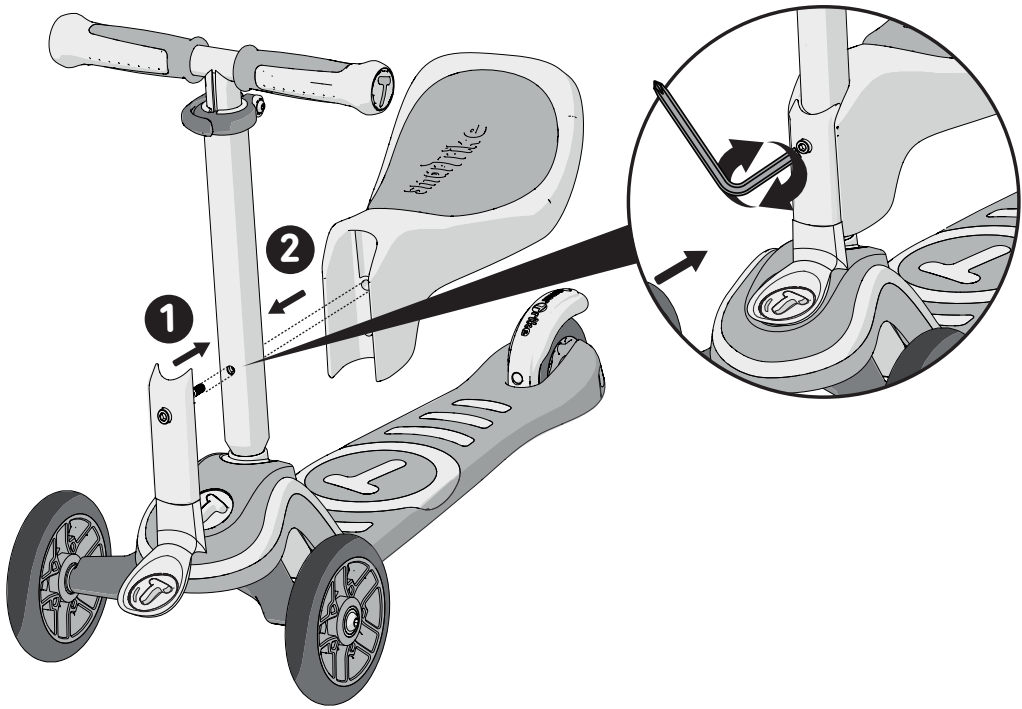
**1b**

By using the Allen key, remove the screw to separate the two parts of the seat.

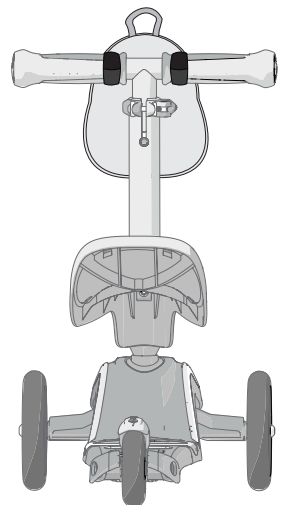
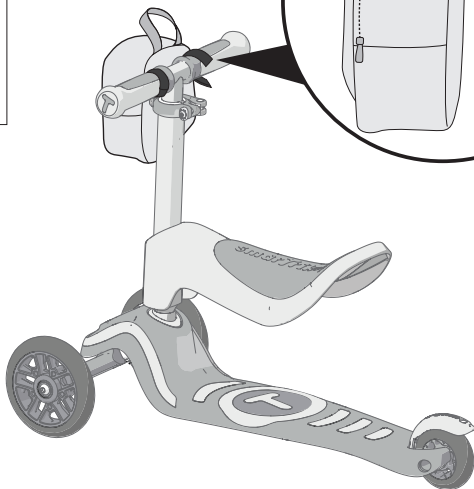
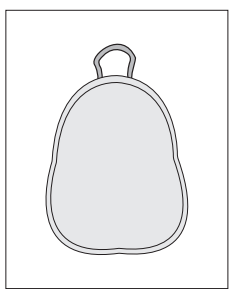


1c

Insert the screw into the required hole and attach the seat from the rear side of the handlebar.
screw to lock the seat into place.

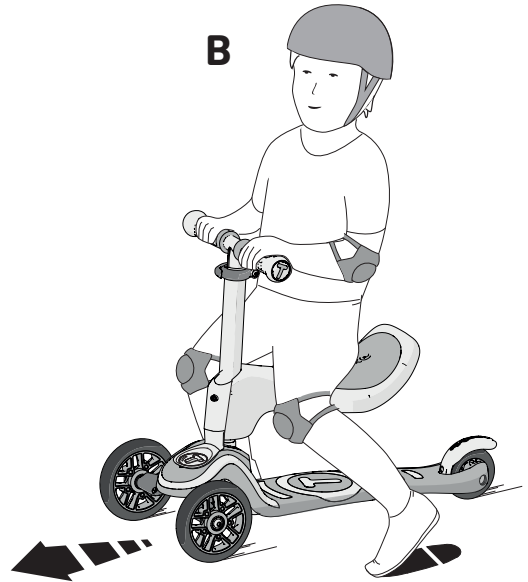


2

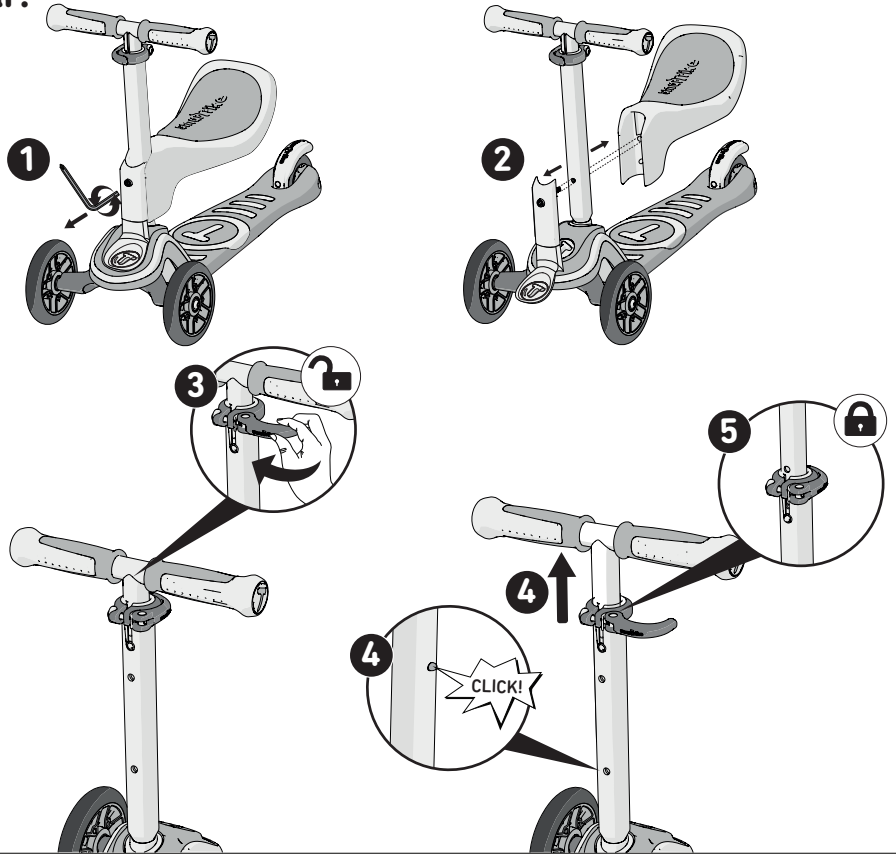


Usage

- (A)** The child must always have two feet resting on the ground in sitting position.
- (B)** In order to advance, the child needs to slide his feet on the ground.

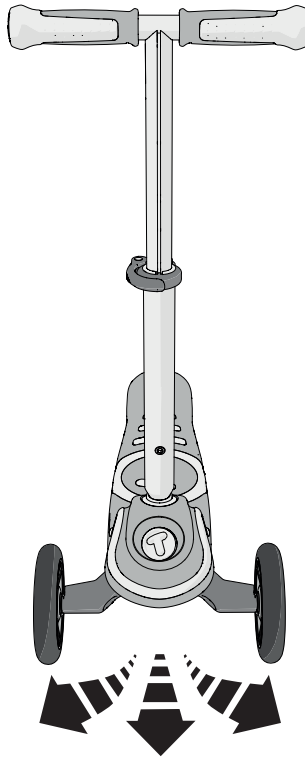
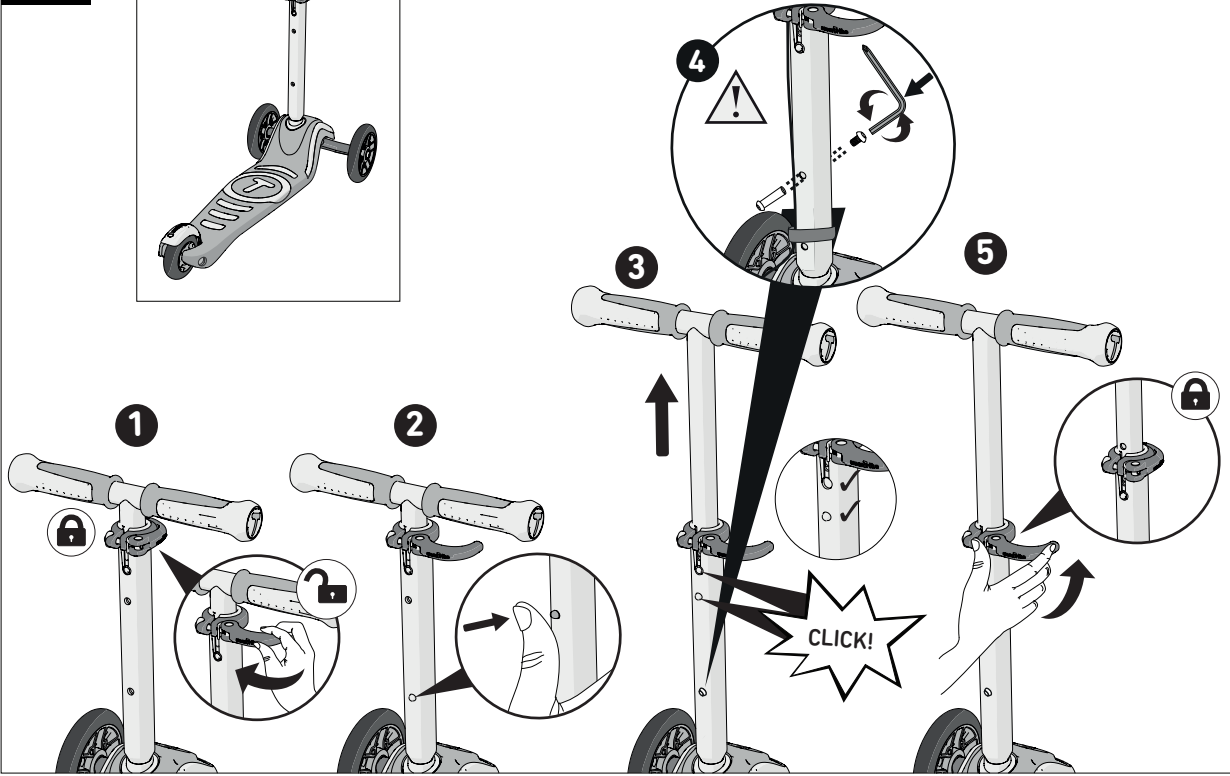
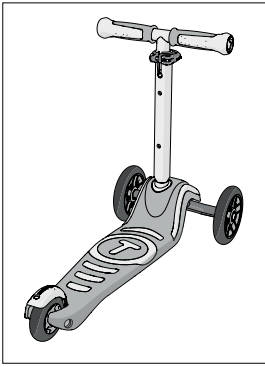


3a To advance to scooter mode, use the Allen key to release the screw and separate the two parts of the seat from the handlebar.

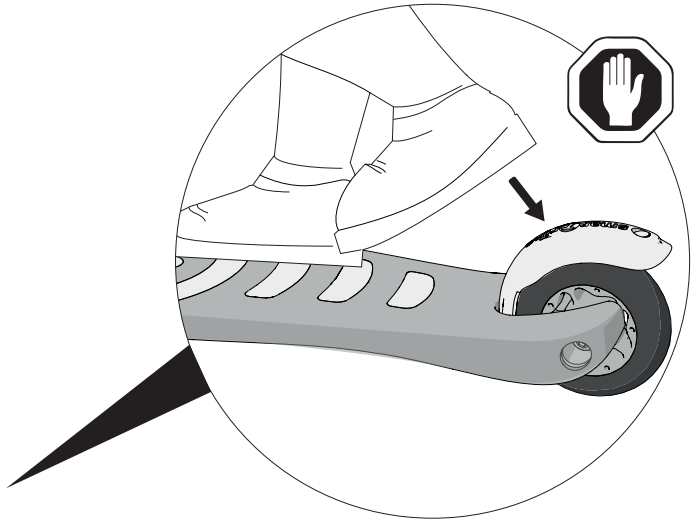
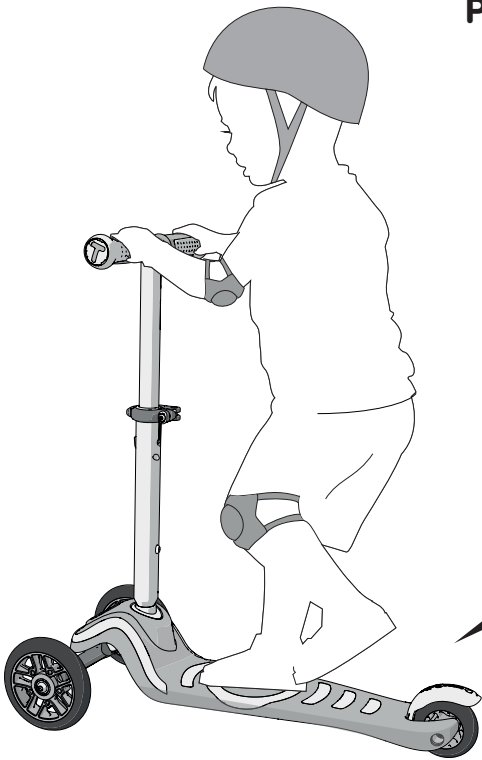
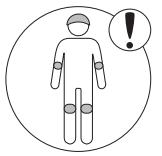


3b

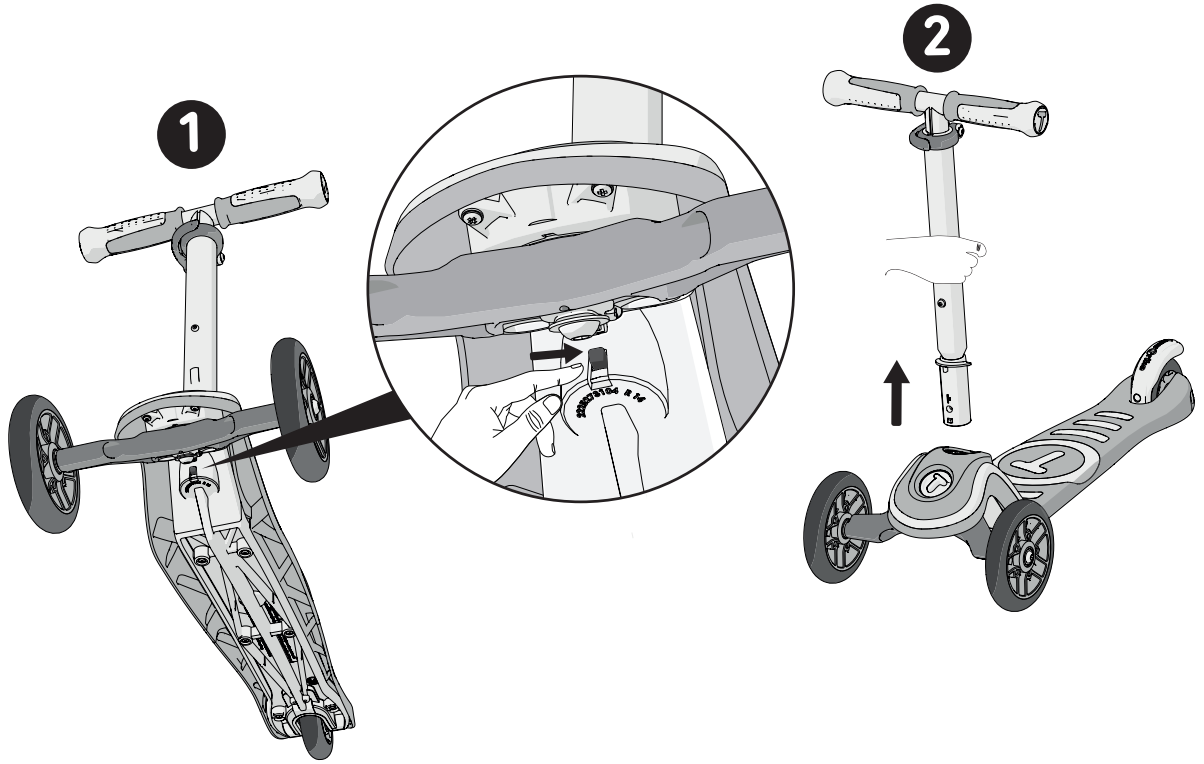
Adjust the handlebar to the required height.



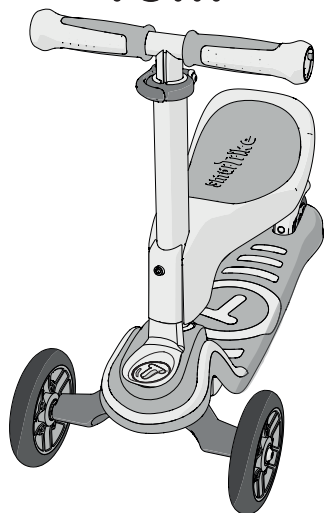
Press rear brake for stopping.



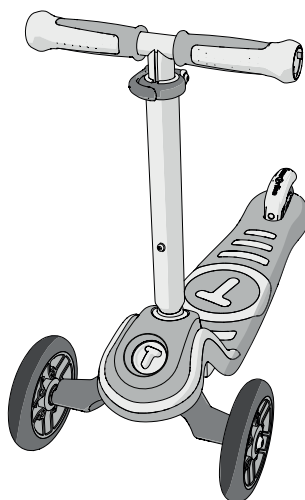
To disconnect the handlebar, press the button located under the scooter base. Pull handlebar out.



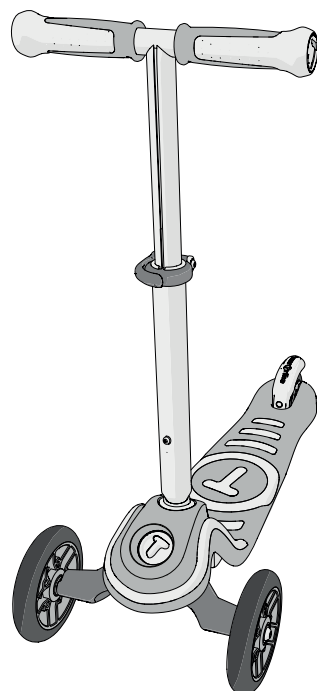
15m+



24m+



36m+



20228333603