



calomax

Catering Water Boilers
where quality matters

Introduction

We offer a wide range of wall-mounted and counter-top water boilers, with unique energy-saving and health and safety features. These range from a 3-litre wall-mounted model ideal for a small staff canteen; to a 25-litre 9kW counter-top model, capable of supplying 681 cups in one hour.

Our latest addition is the stylish Eclipse range with SteriTouch protection, energy-saving features and an easy-service functionality.

All our counter-top models are supplied with a complementary spill tray, and all counter-top and wall-mounted boilers come with a two-year warranty. All boilers incorporate integral scale-inhibitor technology, feature self-diagnostic service indicators, and have cool-to-touch outer casings.

Calomax boilers offer the following advantages:

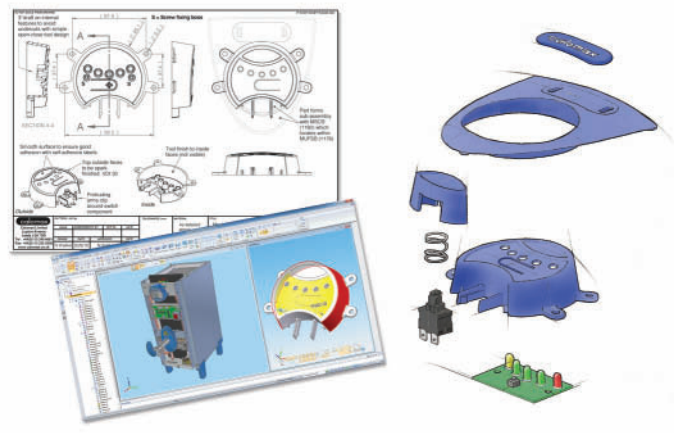
Safety - high volume models are supplied with Dualflow taps; one fast-flow for filling teapots and urns, the other slow-flow to allow the safe filling of cups and mugs without the risk of splashing. Some models feature a unique key-controlled dispense system that allows you to restrict access to the boiling water.

Energy-saving - our boilers are well insulated and sealed. No steam escapes and radiant heat loss is minimal. New models feature an additional economy function. As they are UK made they add less to your carbon footprint than imported models.

Long life expectancy - at least 5 years if properly maintained, the boilers afford a life-cycle costing that cannot be beaten.

Local service and back-up – immediate response to technical queries and requests for advice. Talk directly to our Service Manager – not a call-centre! We have a nationwide network of Calomax approved Service Partners who can supply local support for on-going maintenance.

Calomax is the only independent specialist manufacturer of catering water boilers in the British Isles, and we are proud to have supplied customers throughout the UK for the last 70 years. Our new range of eco-friendly “Eclipse” boilers continue the Calomax tradition of offering robust, reliable, equipment, at competitive prices.



Product Range

Wall-Mounted Boilers

Eclipse 2W3	3 litre capacity	5
Eclipse 3W5	5 litre capacity	5
Eclipse 3W7.5	7.5 litre capacity	6
Eclipse 3W10	10 litre capacity	6
Eclipse 3W15C	15 litre capacity	7
Eclipse PB3W5	5 litre capacity	7

Counter-Top Boilers

Eclipse 3C5C	5 litre capacity	11
Eclipse 3C10	10 litre capacity	11
Eclipse PB3C10	10 litre capacity	12
Kudos	12 litre capacity	13
Kudos 3 / 6 / 9 Dualflow models	22/25 litre capacity	13

Accessories

14





Wall-mounted Boilers

Wall-mounted Boilers are available in a range of sizes

From the smallest: 3 litres = 18 cups initial draw-off - up to 142 cups in one hour
To the largest: 15 litres = 90 cups initial draw-off - up to 215 cups in one hour

Usually fitted above the kitchen sink / drainer, however wall-mounted drip trays are available to enable them to be installed elsewhere. Wall-mounted boilers can be used to fill just about anything from cups to large airpots and teapots, without taking up valuable counter-top space. Classed as “fixed electrical equipment” they will need to be hard-wired into your supply via a fused-spur, and by a qualified electrician.

Eclipse Range

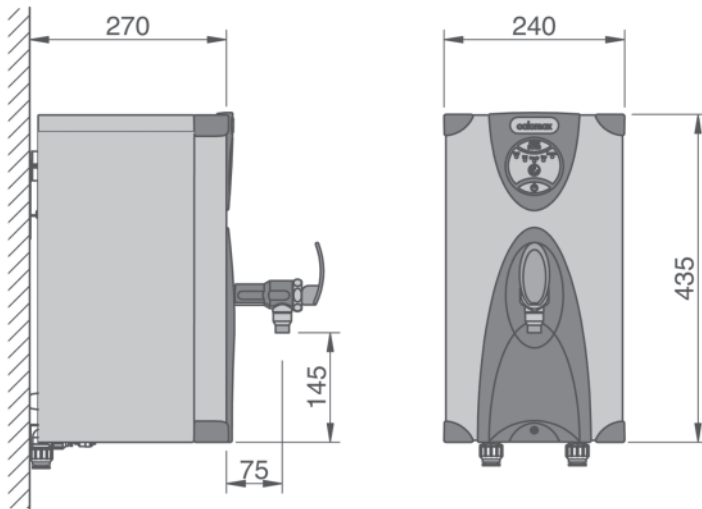
A range of water boilers that put everyone else's in the shade! Ideal for small applications and where space is limited. This advanced boiler is eco friendly, as you can reduce the capacity by half at times when the use is lighter, thus saving on running costs. With a state of the art design and revolutionary handle which kills all bacteria on contact.

- UK made
- SteriTouch antibacterial protection
- Energy-saving function
- Extended warranty
- Built in scale-inhibitor
- Reliable
- Modern design
- Easy-service features



Eclipse 2W3

Ideal for the small office or staff room



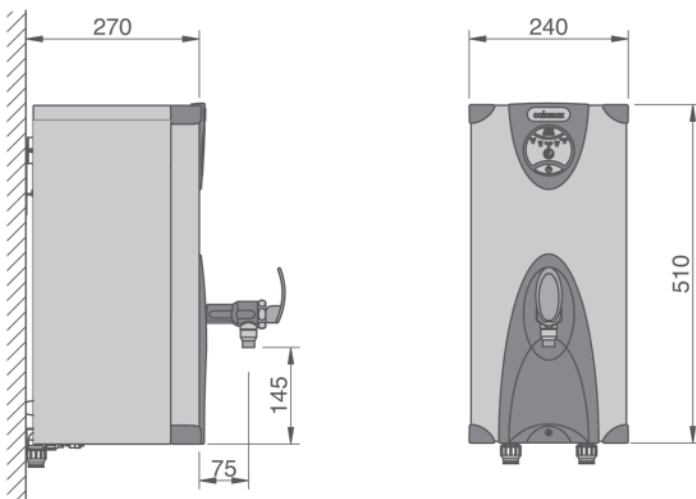
Also available in
Stainless Steel finish

REFERENCE	KW RATING	WORKING WEIGHT (KG)	CAPACITY OF BOILING WATER					
			Initial Draw-off			Hourly Output*		
			Litres	Cups	Mugs	Litres	Cups	Mugs
Stainless Steel 2W3-SS	White 2W3-W	2	3	18	12	23	142	90

*Including initial draw-off

Eclipse 3W5

Suited to offices and hospital wards of up to 20 people



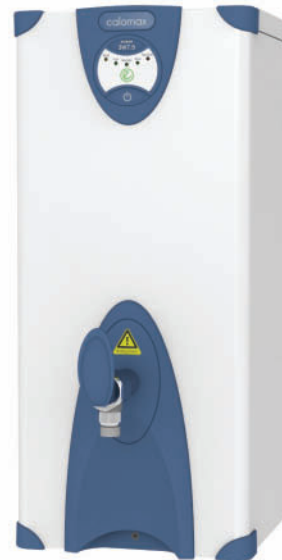
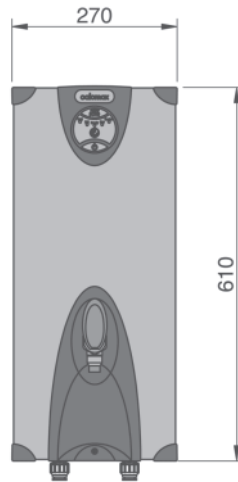
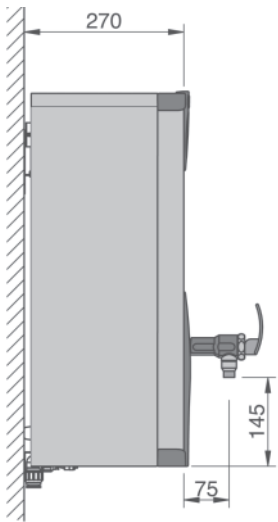
Also available in
Stainless Steel finish

REFERENCE	KW RATING	WORKING WEIGHT (KG)	CAPACITY OF BOILING WATER					
			Initial Draw-off			Hourly Output*		
			Litres	Cups	Mugs	Litres	Cups	Mugs
Stainless Steel 3W5-SS	White 3W5-W	3	5	30	20	25	155	100

*Including initial draw-off

Eclipse 3W7.5

Ideal for medium volume applications of up to 30 people



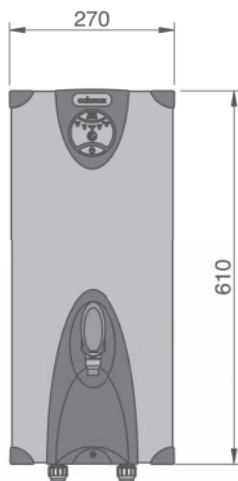
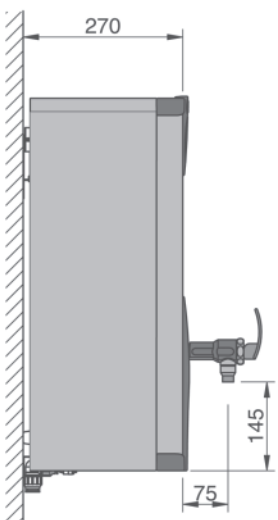
Also available in Stainless Steel finish

REFERENCE	KW RATING	WORKING WEIGHT (KG)	CAPACITY OF BOILING WATER						
			Initial Draw-off			Hourly Output*			
			Litres	Cups	Mugs	Litres	Cups	Mugs	
Stainless Steel 3W7.5-SS	White 3W7.5-W	3	28	7.5	45	30	27	170	109

*Including initial draw-off

Eclipse 3W10

Typically suited to higher volume requirements of up to 40 people



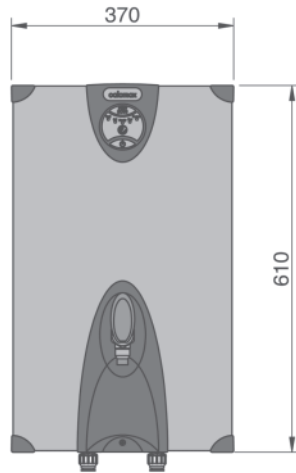
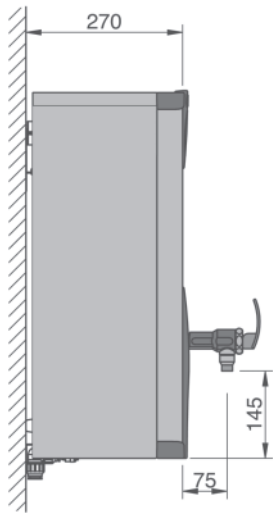
Also available in Stainless Steel finish

REFERENCE	KW RATING	WORKING WEIGHT (KG)	CAPACITY OF BOILING WATER						
			Initial Draw-off			Hourly Output*			
			Litres	Cups	Mugs	Litres	Cups	Mugs	
Stainless Steel 3W10-SS	White 3W10-W	3	30.5	10	60	40	30	185	118

*Including initial draw-off

Eclipse 3W15C

When a high demand of up to 60 people has to be catered for, this model fits the bill!



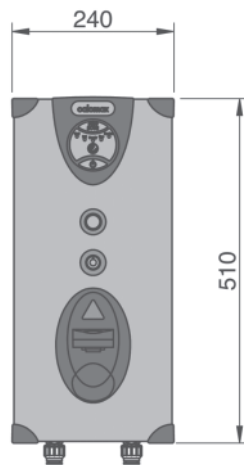
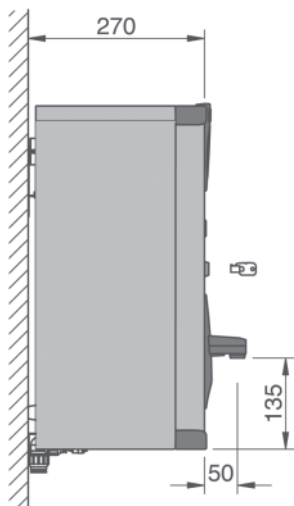
Also available in
Stainless Steel finish

REFERENCE	KW RATING	WORKING WEIGHT (KG)	CAPACITY OF BOILING WATER						
			Initial Draw-off			Hourly Output*			
Stainless Steel	White		Litres	Cups	Mugs	Litres	Cups	Mugs	
3W15C-SS	3W15C-W	3	35	15	90	60	35	215	138

*Including initial draw-off

Eclipse PB3W5

This push-button model incorporates a key-controlled dispense system as well as the energy-saving (eco) function as the standard models.



REFERENCE	KW RATING	WORKING WEIGHT (KG)	CAPACITY OF BOILING WATER					
			Initial Draw-off			Hourly Output*		
Stainless Steel			Litres	Cups	Mugs	Litres	Cups	Mugs
PB3W5	3	30.5	5	30	20	25	155	100

*Including initial draw-off



Wall-Mounted Boiler - *Installation Guide*



To help with planning the installation, a guide can be found in the Support section of our website. By selecting typical options to suit the particular location, a suggested configuration is displayed. Supplementary fittings and accessories are also shown for consideration.





Counter-top Boilers

Counter-top Boilers are available in a range of sizes.

From the smallest: 5 litres = 30 cups initial draw-off - up to 155 cups in one hour
To the largest: 25 litres = 156 cups initial draw-off - up to 681 cups in one hour

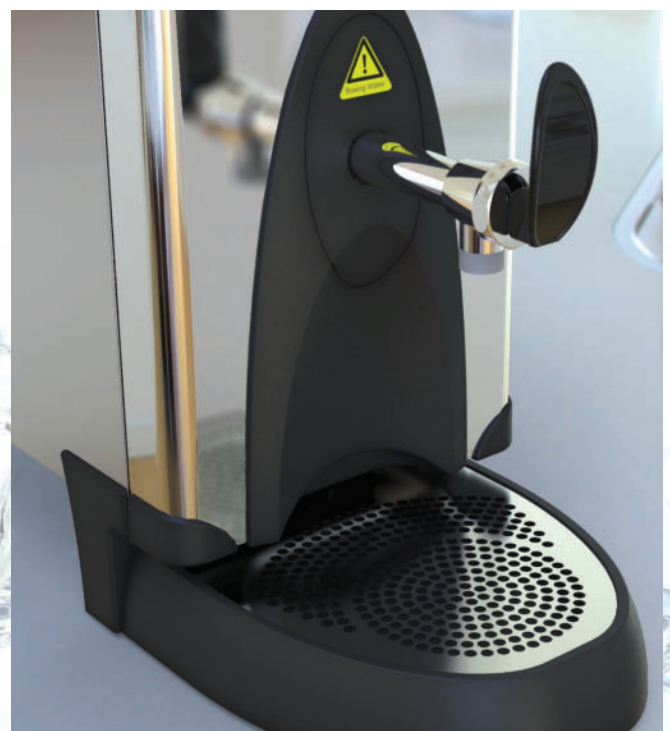
Supplied with a 13 amp plug and easily installed by a plumber / handyman; counter-top boilers are supplied with a complementary drip tray and are usually less expensive than the equivalent wall-mounted model.

Because of height and space restrictions in many kitchen areas, it is important you determine in advance which of the many models available will be most suitable for your requirements. Will you be filling cups and mugs, or airtots and urns? Do you need something that will fit under the cupboards? Would a lockable push-button model be more appropriate for your application; for example in Care Homes or Patient-areas in Hospital waiting rooms. Please visit the “perfect boiler” guide on our website homepage to help you decide.

Eclipse Range

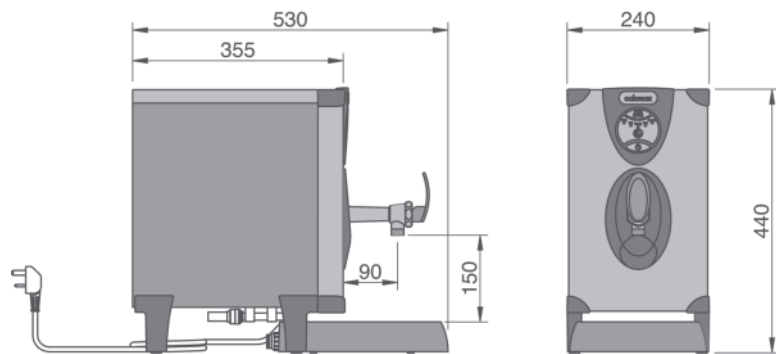
A range of water boilers that put everyone else's in the shade! Ideal for small applications and where space is limited. This advanced boiler is eco friendly, as you can reduce the capacity by half at times when the use is lighter, thus saving on running costs. With a state of the art design and revolutionary handle which kills all bacteria on contact.

- UK made
- SteriTouch antibacterial protection
- Energy-saving function
- Extended warranty
- Built in scale-inhibitor
- Reliable
- Modern design
- Easy-service features



Eclipse 3C5C

Perfect when overhead space is limited, this compact machine fits neatly beneath wall cupboards positioned at a standard height of 18" above the worktop.

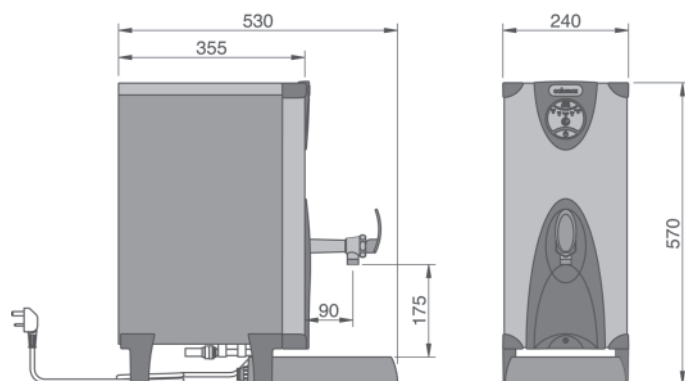


REFERENCE	KW RATING	WORKING WEIGHT (KG)	CAPACITY OF BOILING WATER					
			Initial Draw-off			Hourly Output*		
			Litres	Cups	Mugs	Litres	Cups	Mugs
Stainless Steel 3C5C	3	21	5	30	20	25	155	100

*Including initial draw-off

Eclipse 3C10

Our most popular counter-top boiler. Ideal for front-of-house applications or the larger office.

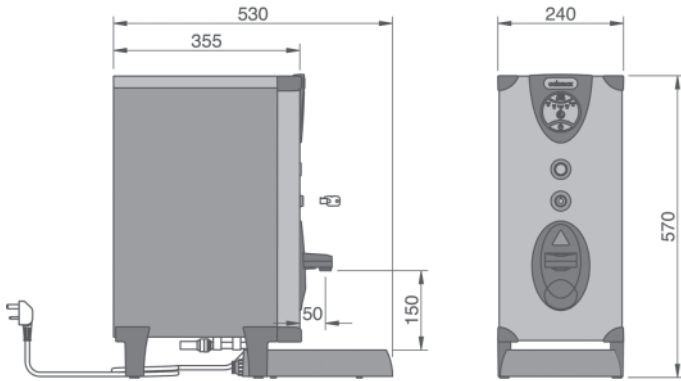


REFERENCE	KW RATING	WORKING WEIGHT (KG)	CAPACITY OF BOILING WATER					
			Initial Draw-off			Hourly Output*		
			Litres	Cups	Mugs	Litres	Cups	Mugs
Stainless Steel 3C10	3	30.5	10	60	40	30	185	118

*Including initial draw-off

Eclipse PB3C10

This push-button model incorporates a key-controlled dispense system as well as the energy-saving (eco) function as the standard models. The enclosed hot water nozzle allows for cups, mugs and small teapots to be filled safely at the push of a button.



REFERENCE	KW RATING	WORKING WEIGHT (KG)	CAPACITY OF BOILING WATER					
			Initial Draw-off			Hourly Output*		
			Litres	Cups	Mugs	Litres	Cups	Mugs
Stainless Steel PB3C10	3	30.5	10	60	40	30	185	118

*Including initial draw-off

Counter-top Boiler - Installation Guide



To help with planning the installation, a guide can be found in the Support section of our website. By selecting typical options to suit the particular location, a suggested configuration is displayed. Supplementary fittings and accessories are also shown for consideration.



Kudos Range

Counter-top boilers designed for medium to high volume applications where a higher flow rate is required.

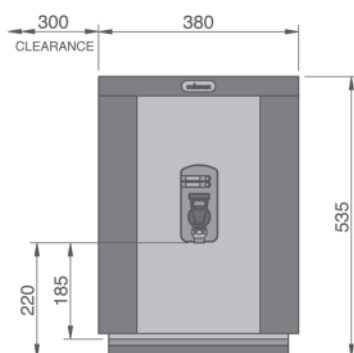
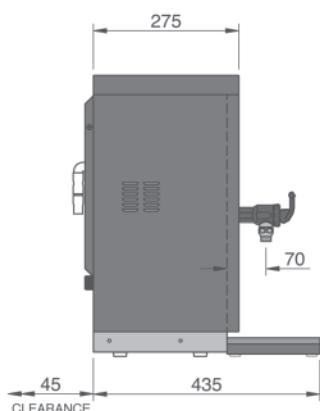
The Dualflow versions are supplied with 2 dispensing nozzle, one fast-flow for rapid filling of large teapots and urns; the other slow-flow for the safe filling of cups and mugs.

Styled for front-of-house locations, all Kudos boilers have an attractive two-tone outercasing.



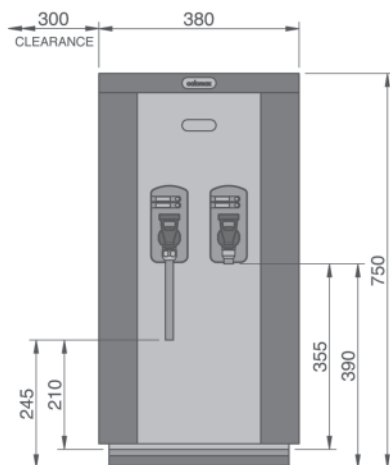
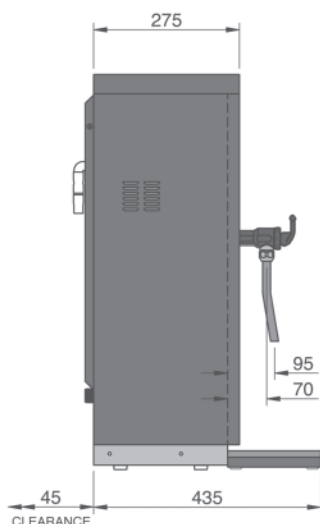
Kudos

Recommended for medium to high volume applications of up to 50 people at any one time.



Kudos Dual-flow

For high volume applications of up to 100 people at any one time.



ORDER CODE	KW RATING	WORKING WEIGHT (KG)	CAPACITY OF BOILING WATER					
			Initial Draw-off			Hourly Output*		
			Litres	Cups	Mugs	Litres	Cups	Mugs
Stainless Steel								
KUD	3	30	12	75	48	40	250	160
KUD-3/DF	3	48	22	137	88	50	312	200
KUD-6/DF†	6	48	22	137	88	78	487	312
KUD-9/DF†	9	48	25	156	100	109	681	436

†Not supplied with installation wiring

*Including initial draw-off

Accessories

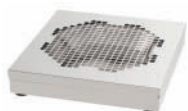
All accessories can be purchased on our website at www.calomax.co.uk



Eclipse Blue wall mounted spill tray
ORDER CODE: EWMDTK1



Eclipse Black wall mounted spill tray
ORDER CODE: EWMDTK/2 ORDER CODE: EWMDTK/3 For PB3W5



Small stainless steel spill tray
ORDER CODE: HSSDTK (no drain)
ORDER CODE: HSSDTWDK (with drain)



Large stainless steel spill tray
ORDER CODE: SSDTK (no drain)
ORDER CODE: SSDTWDK (with drain)



Counter-insertion tray -
comes with push fit drain connector
ORDER CODE: PDTWDK



Securing Clamps - Eclipse Counter-top
ORDER CODE: MFK



Securing Clamps - Kudos Range
ORDER CODE: KC14MM



WRAS approved water filtration to reduce
taste and odour problems
ORDER CODE: CWFK - Kit with cartridge
ORDER CODE: CWFC1 - Replacement cartridge



Plug-in time switch to further reduce energy usage
for periods when boiling water is not required
eg. overnight and weekends
ORDER CODE: 7DPIT

The Calomax logo consists of the word "calomax" in a white, lowercase, sans-serif font, centered within a dark blue rounded rectangular background.

Catering Water Boilers

For over 70 years Calomax has been manufacturing water boilers at our factory in Leeds. As well as the standard products shown in this brochure, we also make a wide range of "specials" - boilers for rail networks, oil-rigs and ships at sea. If you have a bespoke requirement please let us know. If you would like some help or advice in choosing the best water boilers for your particular need, please give us a call or see the guide on our website.

Calomax Limited

Lupton Avenue, Leeds, West Yorkshire, LS9 7DD

Tel: 0113 249 6681 Fax: 0113 235 0358 Email: sales@calomax.co.uk

www.calomax.co.uk

 @calomaxboilers

A dynamic splash of clear water moving from left to right across the bottom half of the page, with droplets and ripples visible.

DISTRIBUTOR