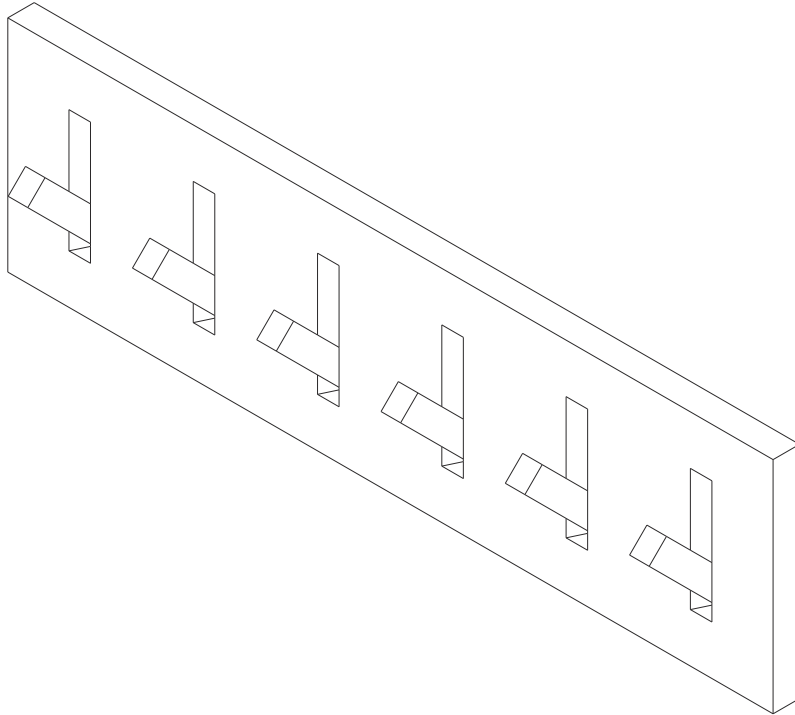


Ethnicraft

ASSEMBLY INSTRUCTIONS FOR WALL HANGER INSTALLATION

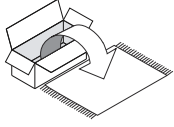
OAK UTILITILE WALL HANGER

CODE	DESCRIPTION
55102	OAK UTILITILE WALL HANGER 78/4/23
55103	OAK UTILITILE BLACK WALL HANGER 78/4/23



OAK UTILITILE WALL HANGER ASSEMBLY INSTRUCTIONS FOR WALL HANGER INSTALLATION

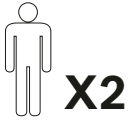
NOTE



- CAREFULLY OPEN THE CARTON.
- REMOVE CONTENTS TO LAY OUT ON THE FLATTENED CARTON, CARPETED AREA, OR ANOTHER PROTECTIVE SURFACE TO AVOID DAMAGE WHILE ASSEMBLING.
- CHECK PACKAGE CONTENTS TO ASSURE ALL THE NECESSARY HARDWARE AND PARTS ARE RECEIVED UNDAMAGED.
- DO NOT USE DAMAGED OR DEFECTIVE PARTS/HARDWARE.
- CONTACT RETAILER FOR ANY MISSING PART AND/OR HARDWARE.

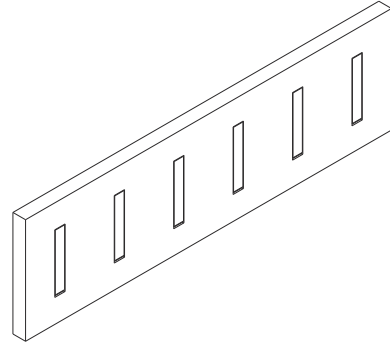


- READ THE ASSEMBLY INSTRUCTIONS BEFORE INSTALLATION AND CAREFULLY FOLLOW THE INSTRUCTIONS GIVEN.
- SEEK THE ADVICE OF A PROFESSIONAL IF YOU ARE NOT FAMILIAR WITH THESE INSTALLATIONS OR HAVE ANY DOUBTS ABOUT THE SAFETY OF THIS INSTALLATION.



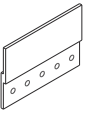
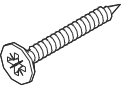
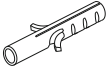
- IT IS ADVISABLE TO DO THIS ASSEMBLY WITH MINIMUM OF 2 PERSONS.

PARTS TO ASSEMBLE

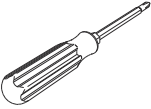
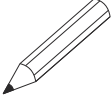
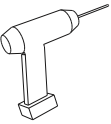
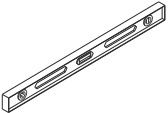
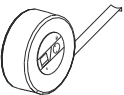


WALL HANGER 1piece

HARDWARE ENCLOSED

 <p>H2188 METAL HANGER (2pcs)</p>	
 <p>H2191 SCREW M4x40 (6 pcs)</p>	 <p>H2192 WALL PLUG S4 (6 pcs)</p>

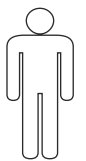
TOOL REQUIRED

 <p>PHILLIPS SCREWDRIVER (not include in package)</p>	 <p>PENCIL (not include in package)</p>
 <p>DRILL (not include in package)</p>	 <p>LEVEL (not include in package)</p>
 <p>MEASURING TOOL (not include in package)</p>	

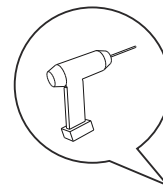
SYMBOLS



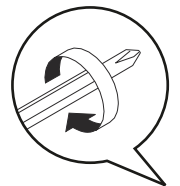
DIRECTION



NUMBER OF PERSONS NEEDED



USE DRILL



USE PHILLIPS SCREWDRIVER TO TIGHTEN



USE PENCIL



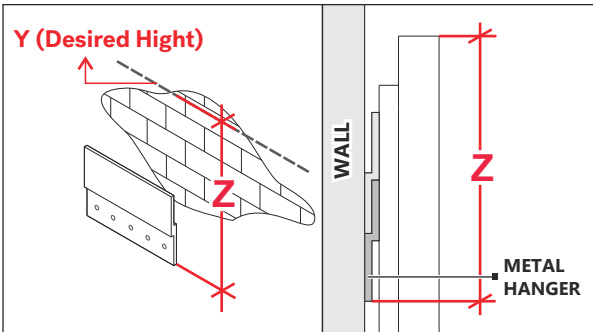
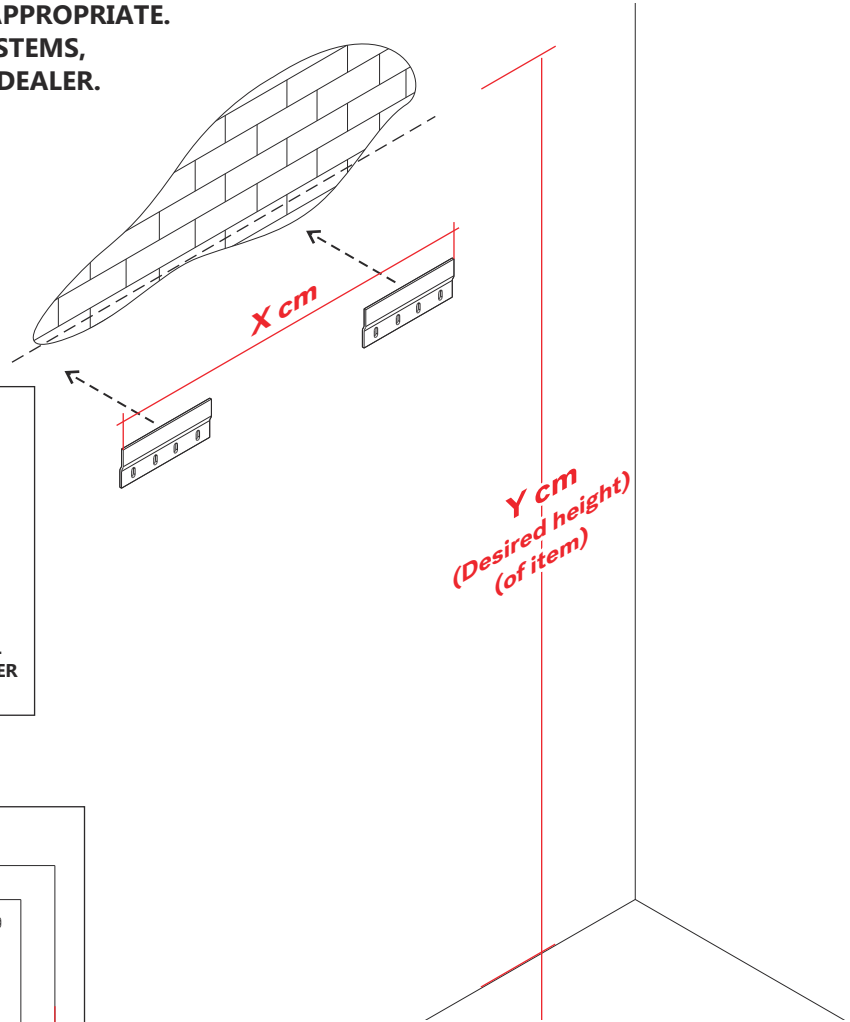
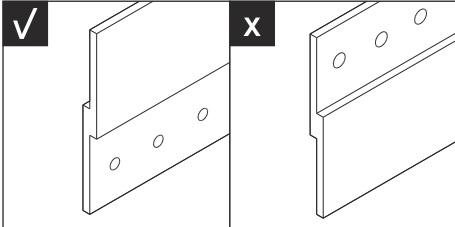
USE MEASURING TOOL

OAK UTILITILE WALL HANGER ASSEMBLY INSTRUCTIONS FOR WALL HANGER INSTALLATION

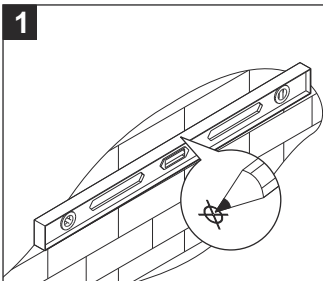
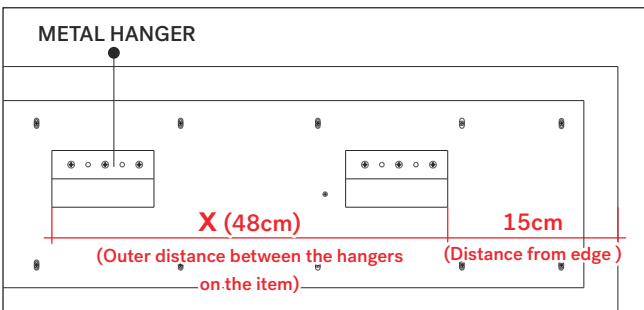
1 INSTALLING METAL HANGER ON THE WALL



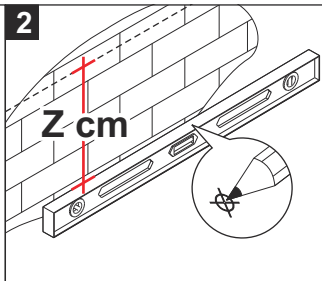
AS WALL MATERIALS VARY, SCREWS FOR FIXING TO WALL CAN BE REPLACED IF NOT APPROPRIATE. FOR ADVICE ON SUITABLE SCREW SYSTEMS, CONTACT YOUR LOCAL SPECIALISED DEALER.



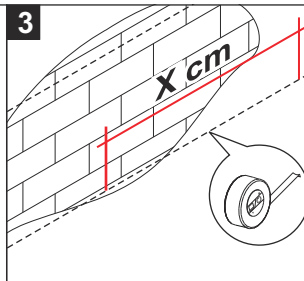
Z = 14,5 cm



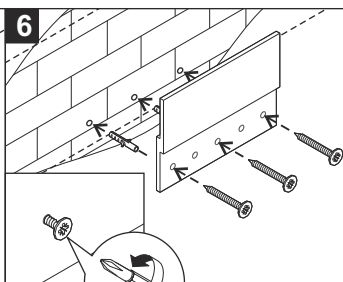
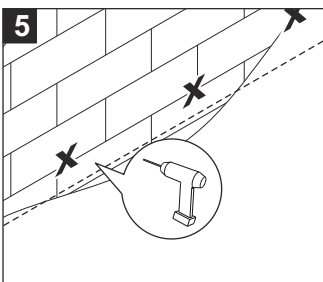
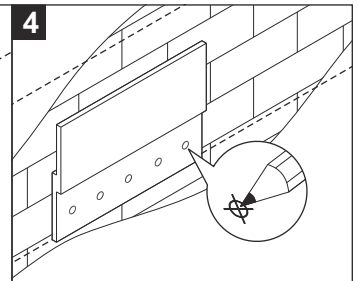
1 - 1ST MARK LINE



2 - DEFINE 2ND MARK LINE



3 - DEFINE THE DISTANCE BETWEEN METAL HANGERS

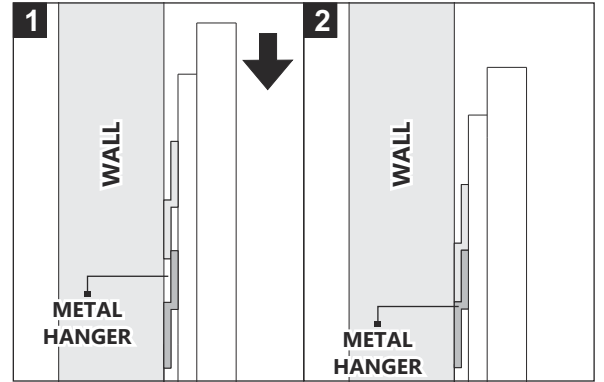
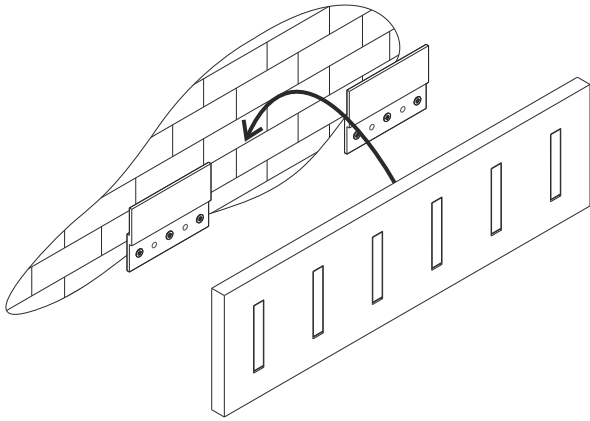


- ! - ILLUSTRATION WITH BRICK WALL
- TIGHTEN SCREWS FULLY

OAK UTILITILE WALL HANGER

ASSEMBLY INSTRUCTIONS FOR WALL HANGER INSTALLATION

2 HANGING WALL HANGER TO THE METAL HANGER



3 FINISH

