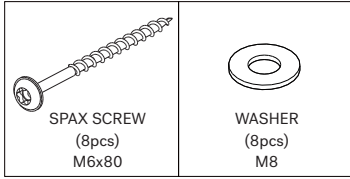


Ethnicraft

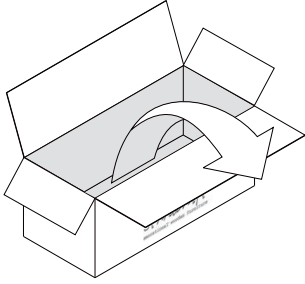
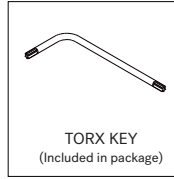
BOK BENCH

ASSEMBLY INSTRUCTIONS FOR BENCH INSTALLATION

HARDWARE ENCLOSED



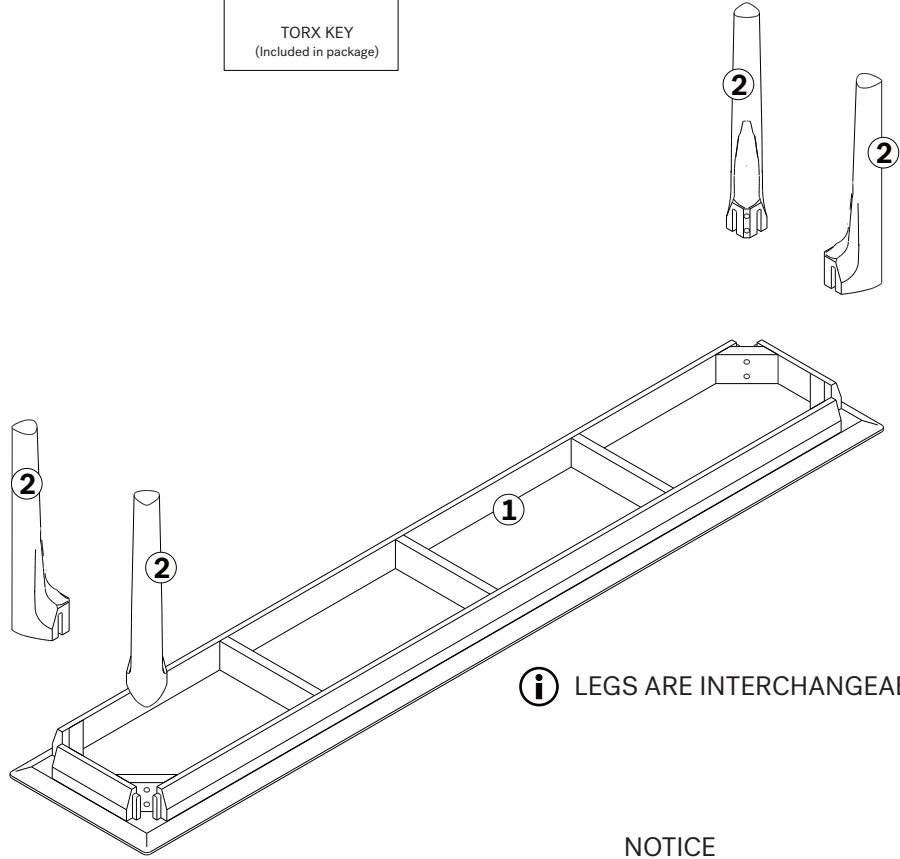
TOOL



IN YOUR PACKAGE :
ASSEMBLY INSTRUCTIONS
HARDWARE (AS LISTED ABOVE)

PARTS TO BE INSTALLED

1. BENCH TOP 1pc
2. LEGS 4pcs

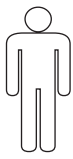


i LEGS ARE INTERCHANGEABLE

SYMBOLS



DIRECTION

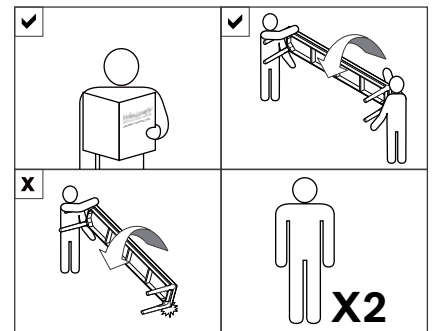


NUMBER OF
PERSONS NEEDED

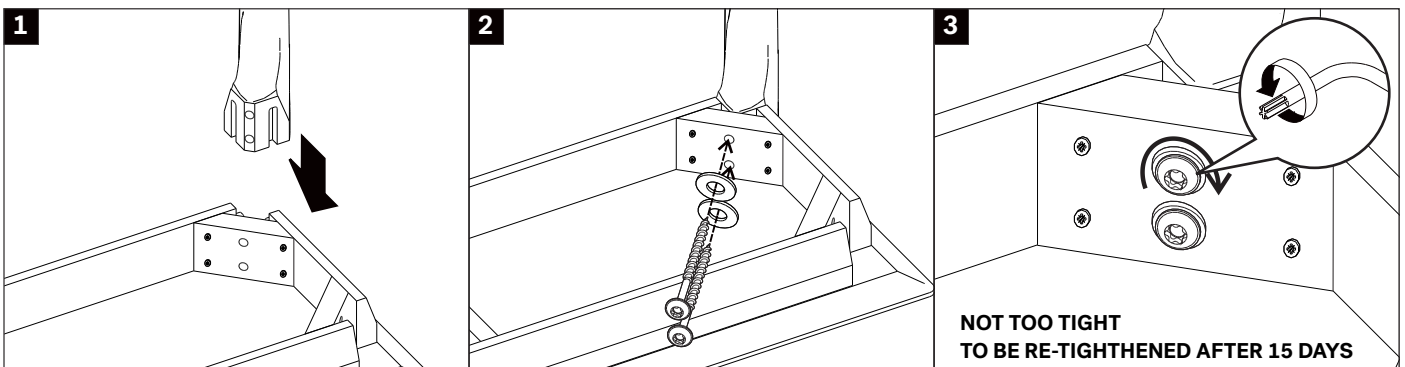


USE TORX KEY
TO TIGHTEN

NOTICE



CONNECTING THE LEGS AND TABLE TOP



REPEAT STEP 1 TO STEP 3 FOR OTHER LEGS