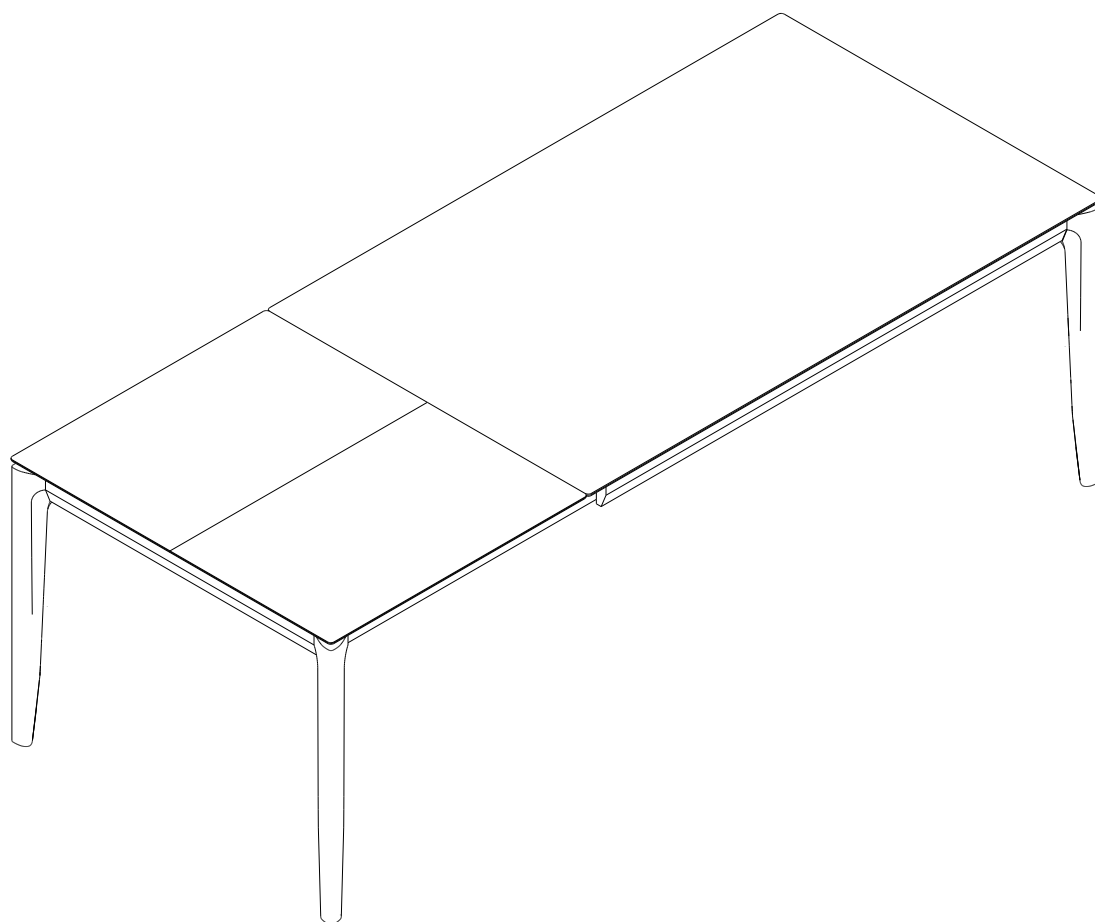


Ethnicraft

ASSEMBLY INSTRUCTIONS FOR DINING TABLE INSTALLATION

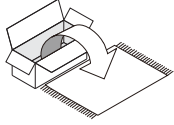
OAK BOK EXTENDABLE DINING TABLE

CODE	DESCRIPTION
51494	OAK BOK EXTENDABLE DINING TABLE 200-300/100/76



51494 OAK BOK EXTENDABLE DINING TABLE 200-300 / 100 / 76 ASSEMBLY INSTRUCTIONS FOR DINING TABLE INSTALLATION

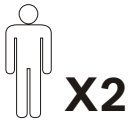
NOTE



- CAREFULLY OPEN THE CARTON,
- REMOVE CONTENTS AND LAY OUT ON CARPET OR THE PACKAGING CARTON BOX OR OTHER PROTECTIVE SURFACE TO AVOID DAMAGE.
- CHECK PACKAGE CONTENTS TO ASSURE ALL THE NECESSARY HARDWARE AND PARTS ARE RECEIVED UNDAMAGED.
- DO NOT USE DAMAGE OR DEFECTIVE PARTS/HARDWARE.
- CONTACT ETHNICRAFT FOR ANY MISSING PART AND /OR HARDWARE.

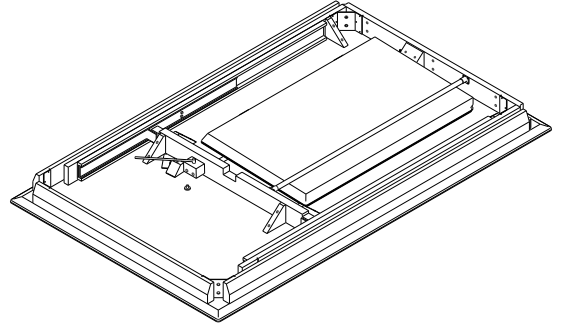


- READ THE ASSEMBLY INSTRUCTION BEFORE INSTALLATION AND CAREFULLY FOLLOW THE INSTRUCTION GIVEN.
- SEEK THE ADVICE OF A PROFESSIONAL IF YOU ARE NOT FAMILIAR WITH THESE INSTALLATIONS OR HAVE ANY DOUBTS ABOUT THE SAFETY OF THIS INSTALLATION.



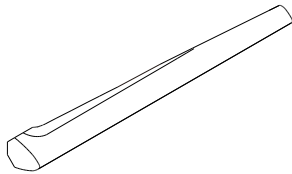
- IT IS ADVISABLE TO DO THIS ASSEMBLY WITH MINIMUM OF 2 PERSONS.
- WHEN LIFTING THE TABLE, MAKE SURE TABLE IS IN UNEXTENDED POSITION.
- LIFT ONLY ON THE APRON.

PARTS TO ASSEMBLE



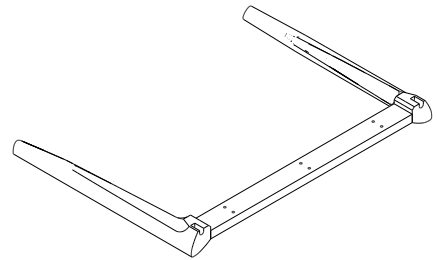
A TABLE TOP 1piece

CODE	DESCRIPTION
P4884	TABLE TOP - 200-300/100



C LEG 2pieces

CODE	DESCRIPTION
P4651	LEG



B LEG WITH APRON 1piece

CODE	DESCRIPTION
P4515	LEG WITH APRON - 100 DEPTH

HARDWARE ENCLOSED

<p>H0689 SPAX SCREW M6x80 (4pcs)</p>	<p>H0849 SPAX SCREW M6x120 (4pcs)</p>
<p>H2069 SCREW M6x40 (6pcs)</p>	<p>H0383 WASHER M8 (8pcs)</p>

TOOLS

(Included in packaged)

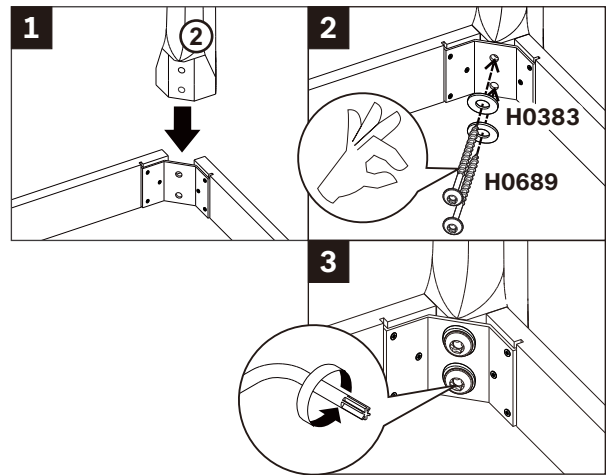
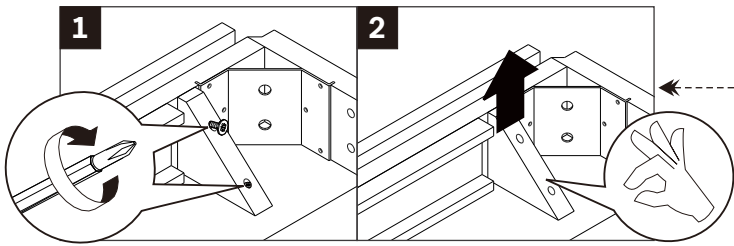
<p>H0893 TORX KEY (1pc)</p>
<p>H0745 L KEY (1pc)</p>

SYMBOLS

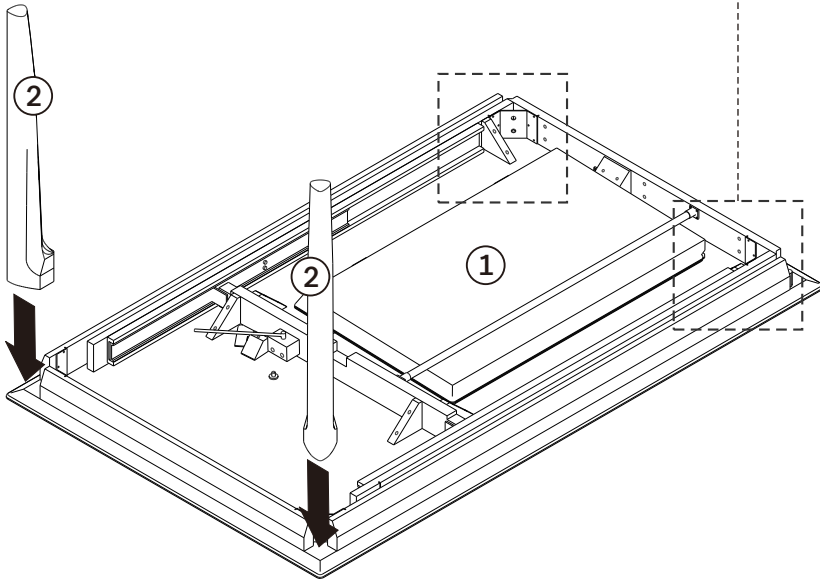
<p>DIRECTION</p>	<p>NUMBER OF PERSONS NEEDED</p>	<p>USE HAND</p>
<p>USE L KEY TO TIGHTEN</p>	<p>USE SCREWDRIVER</p>	<p>USE TORX KEY TO TIGHTEN</p>

51494 OAK BOK EXTENDABLE DINING TABLE 200-300 / 100 / 76
 ASSEMBLY INSTRUCTIONS FOR DINING TABLE INSTALLATION

A. INSTALLING THE LEGS TO TABLE TOP



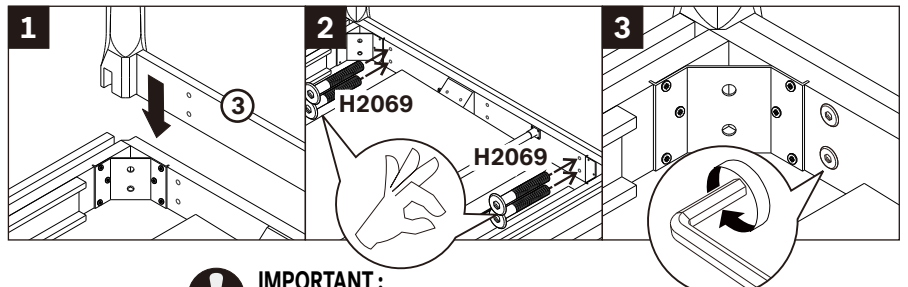
! REMOVE WOODEN PIECES BEFORE INSTALL THE LEGS



IMPORTANT :

- USE WASHER M8
- USE SPAX SCREW M6x80 FOR THE FIXED LEGS
- TIGHTEN FULLY

B. INSTALLING LEG SET TO TABLE TOP



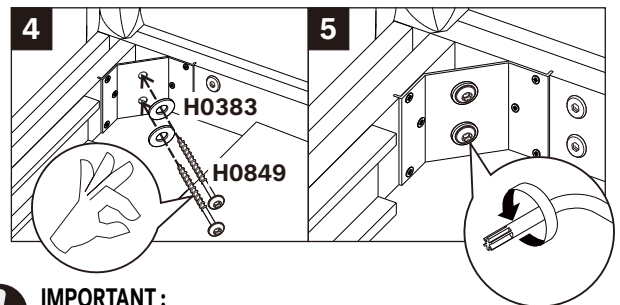
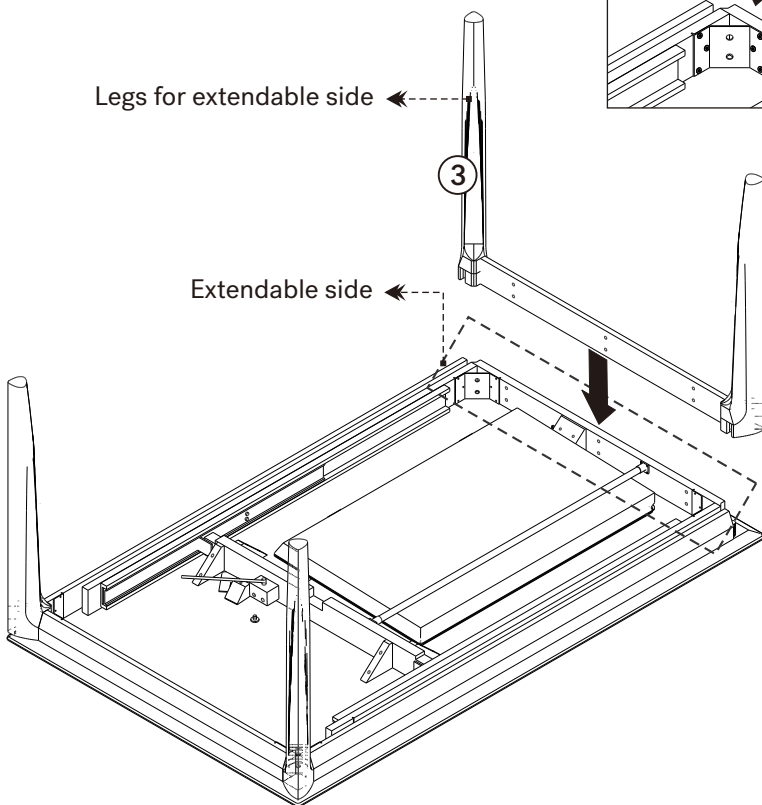
Legs for extendable side

Extendable side

!

IMPORTANT :

- INSTALL SCREWS M6x40 ON THE RIGHT & LEFT SIDE OF APRON FIRST
- MIDDLE SCREWS ON APRON ARE INSTALLED AFTER TABLE IS IN STANDING POSITION
- DO NOT FULLY TIGHTEN



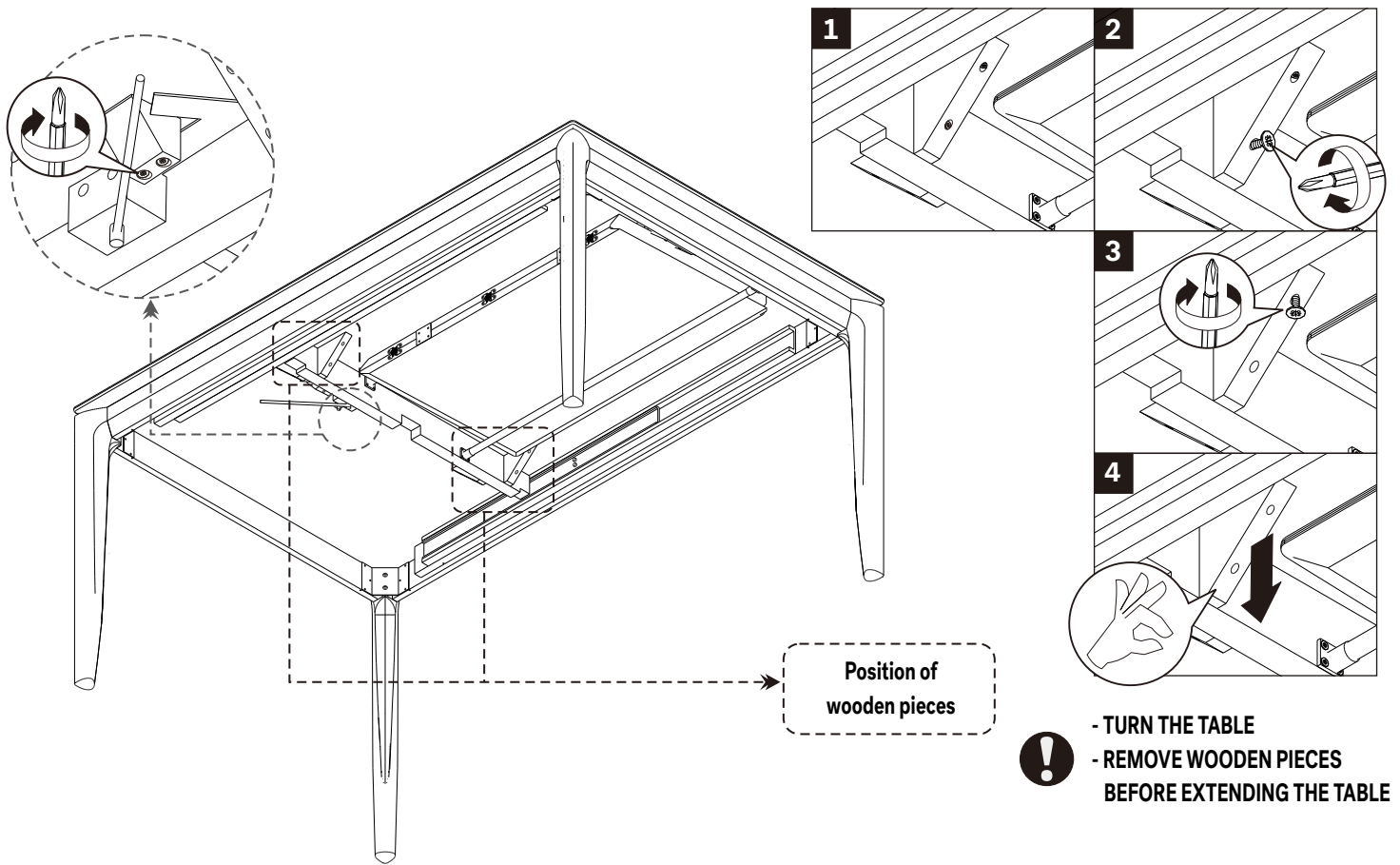
!

IMPORTANT :

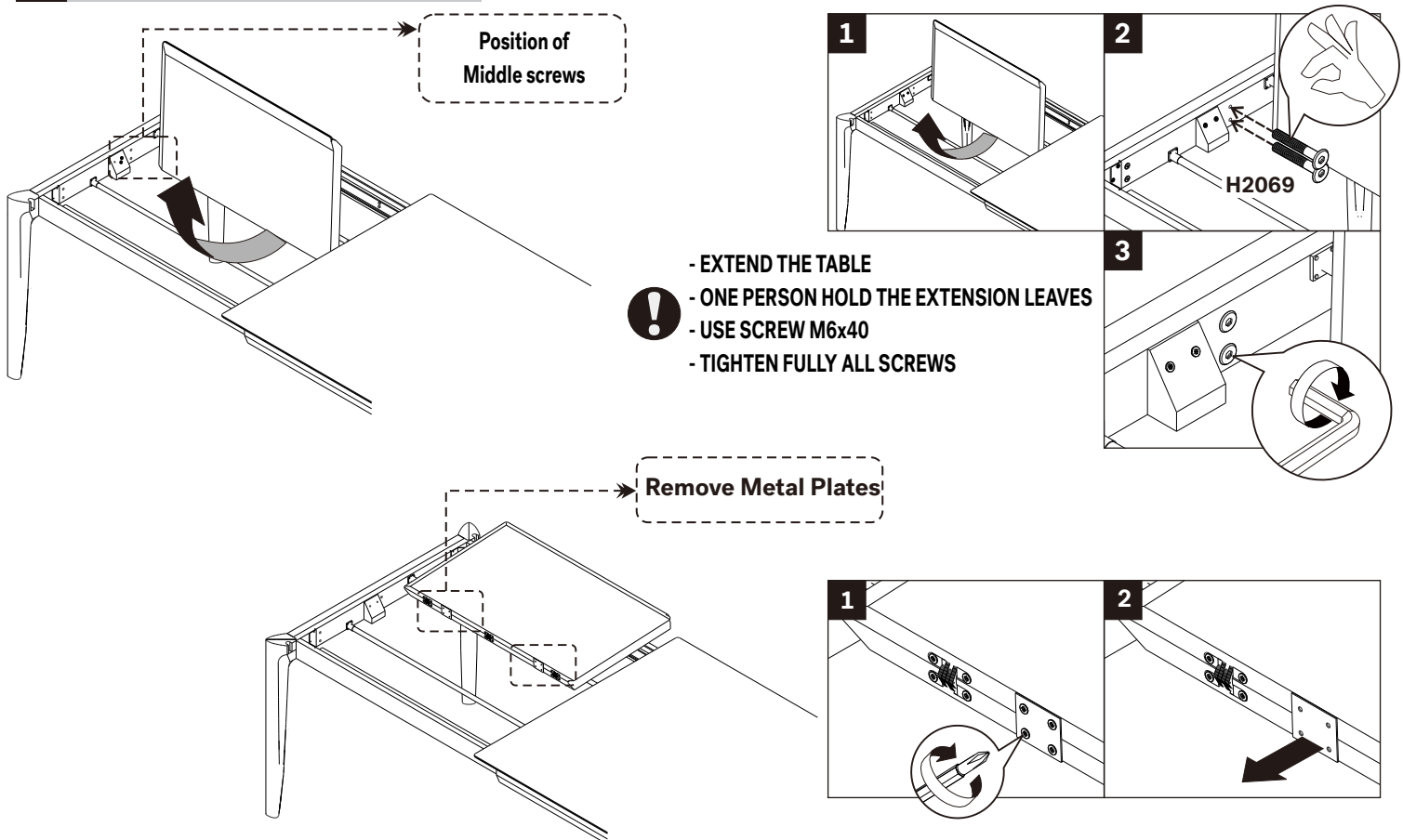
- USE WASHER M8
- USE SPAX SCREW M6x120 FOR THE EXTENDABLE LEGS
- TIGHTEN FULLY ALL SCREWS

51494 OAK BOK EXTENDABLE DINING TABLE 200-300 / 100 / 76
 ASSEMBLY INSTRUCTIONS FOR DINING TABLE INSTALLATION

C. REMOVE WOODEN PIECES

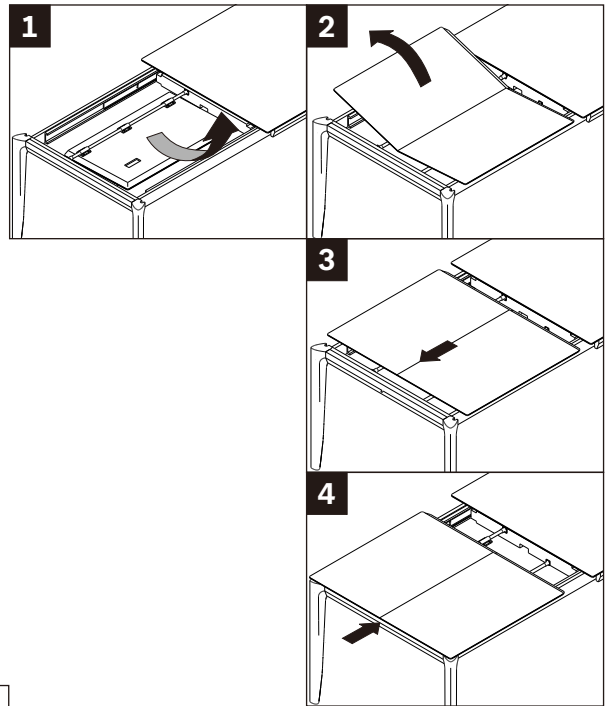
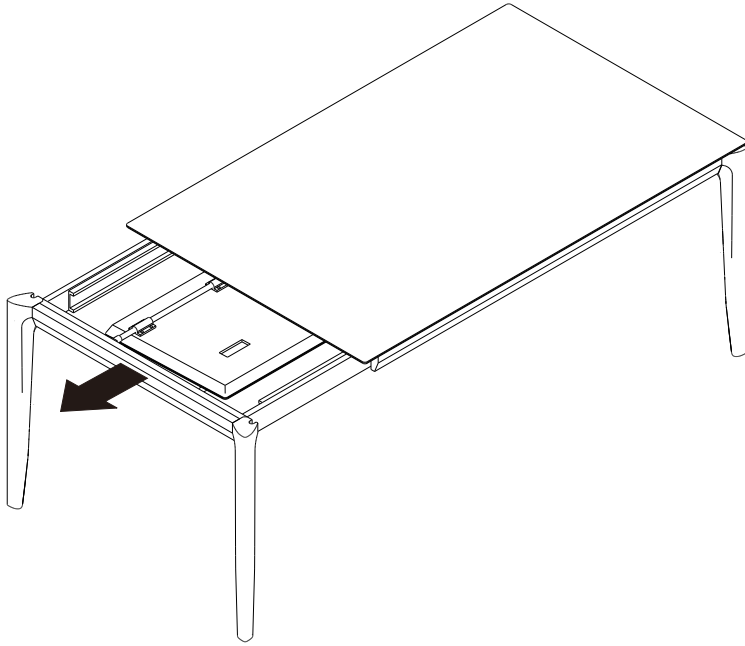


D. INSTALLING SCREW IN THE MIDDLE SIDE

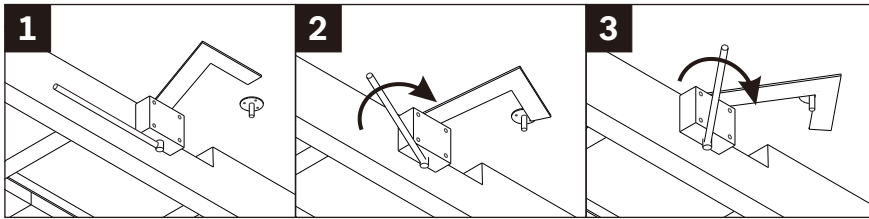


51494 OAK BOK EXTENDABLE DINING TABLE 200-300 / 100 / 76 ASSEMBLY INSTRUCTIONS FOR DINING TABLE INSTALLATION

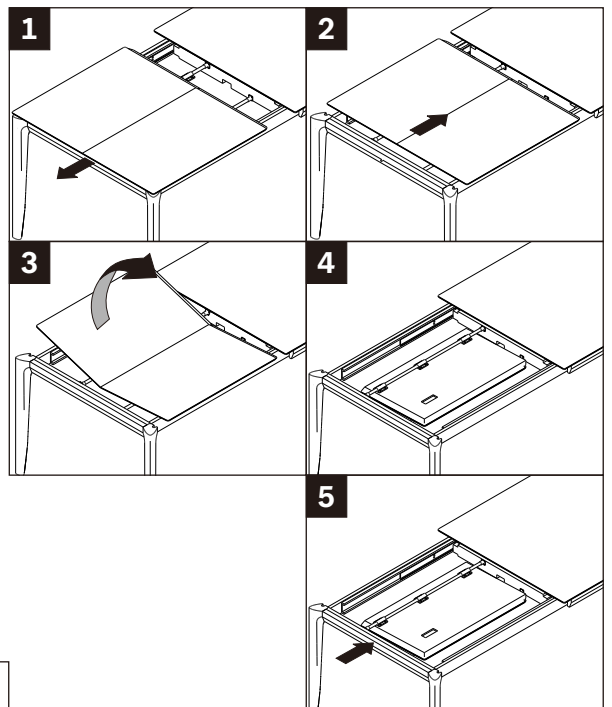
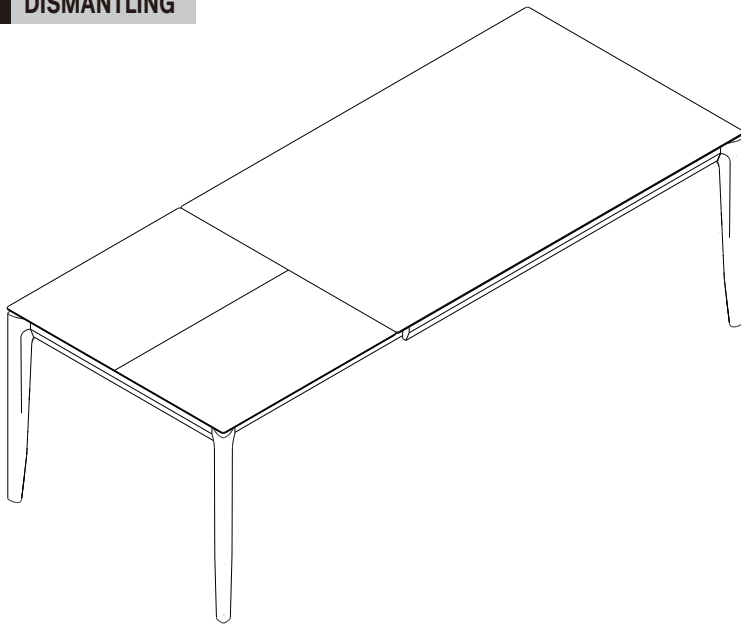
E. EXTENDING



NOTE: LOCK AFTER EXTENDING



F. DISMANTLING



NOTE: UNLOCK BEFORE DISMANTLING

