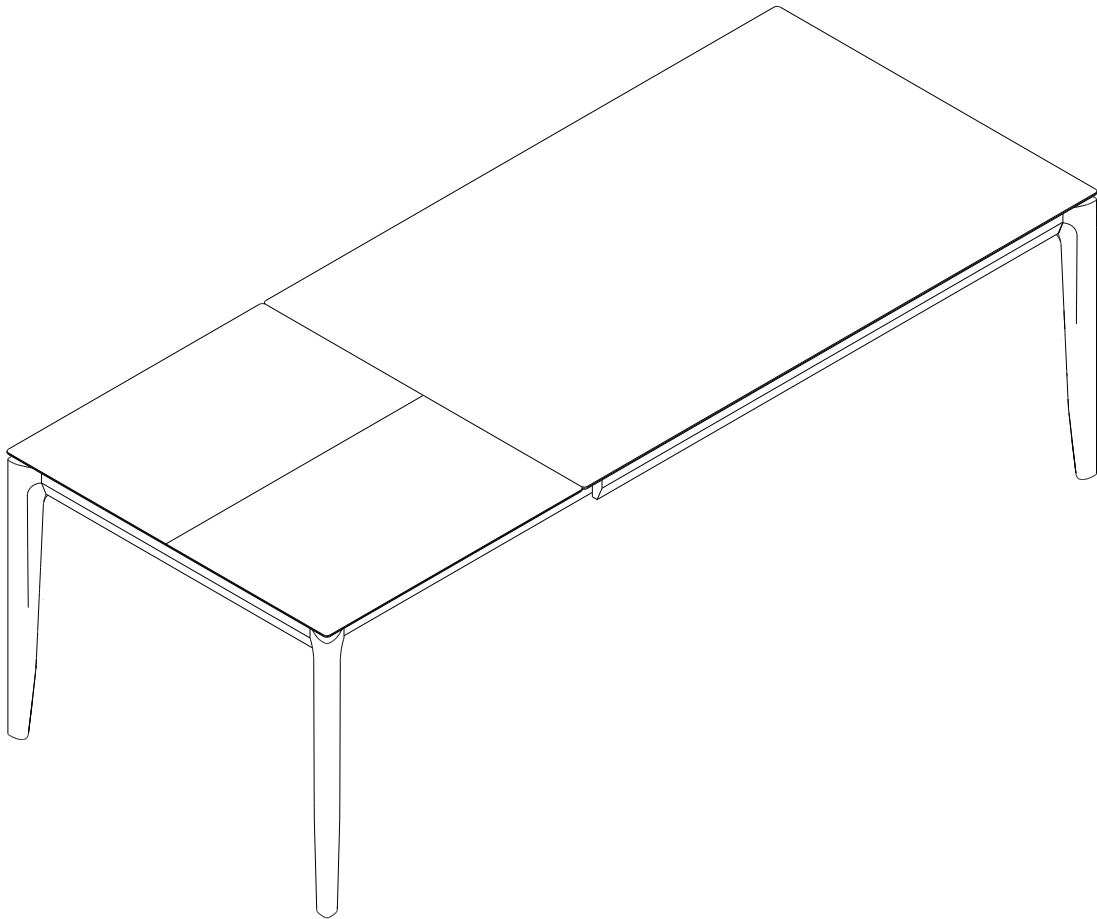


Ethnicraft

ASSEMBLY INSTRUCTIONS FOR DINING TABLE INSTALLATION

BOK EXTENDABLE DINING TABLE

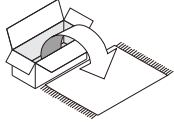
| CODE | DESCRIPTION |
|-------|--|
| 51487 | OAK BOK EXTENDABLE DINING TABLE 120-180/90/76 |
| 51502 | OAK BOK EXTENDABLE DINING TABLE 140-220/90/76 |
| 51503 | OAK BOK EXTENDABLE DINING TABLE 160-240/90/76 |
| 51504 | OAK BOK EXTENDABLE DINING TABLE 180-280/100/76 |
| 51542 | OAK BOK BLACK EXTENDABLE DINING TABLE 140-220/90/76 |
| 51543 | OAK BOK BLACK EXTENDABLE DINING TABLE 160-240/90/76 |
| 51544 | OAK BOK BLACK EXTENDABLE DINING TABLE 180-280/100/76 |
| 51494 | OAK BOK BLACK EXTENDABLE DINING TABLE 200-300/100/76 |



BOK EXTENDABLE DINING TABLE ASSEMBLY INSTRUCTIONS FOR DINING TABLE INSTALLATION



NOTE



- CAREFULLY OPEN THE CARTON,
- REMOVE CONTENTS AND LAY OUT ON CARPET OR THE PACKAGING CARTON BOX OR OTHER PROTECTIVE SURFACE TO AVOID DAMAGE.
- CHECK PACKAGE CONTENTS TO ASSURE ALL THE NECESSARY HARDWARE AND PARTS ARE RECEIVED UNDAMAGED.
- DO NOT USE DAMAGE OR DEFECTIVE PARTS/HARDWARE.
- CONTACT ETHNICRAFT FOR ANY MISSING PART AND/OR HARDWARE.

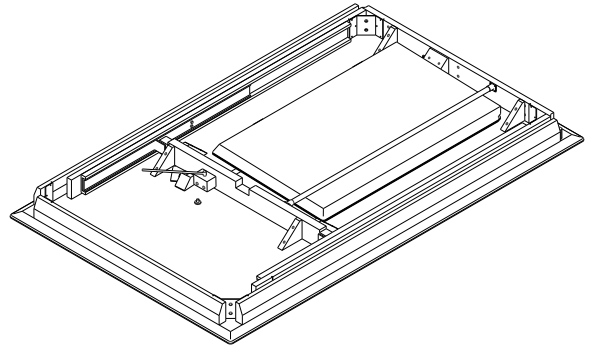


- READ ASSEMBLY INSTRUCTIONS BEFORE INSTALLATION, CAREFULLY FOLLOWING THE DIRECTIONS GIVEN.
- SEEK PROFESSIONAL ADVICE IF YOU ARE NOT FAMILIAR WITH DIRECTIONS OF THIS INSTALLATION OR IF YOU HAVE ANY DOUBTS ABOUT SAFETY.



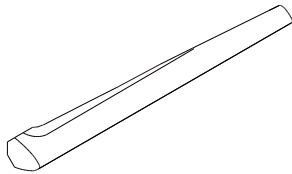
- IT IS ADVISED TO CONDUCT THIS ASSEMBLY WITH A MINIMUM OF 2 PERSONS.
- WHEN LIFTING THE TABLE, MAKE SURE THE TABLE IS IN UNEXTENDED POSITION.
- LIFT ONLY FROM THE APRON.

PARTS TO ASSEMBLE



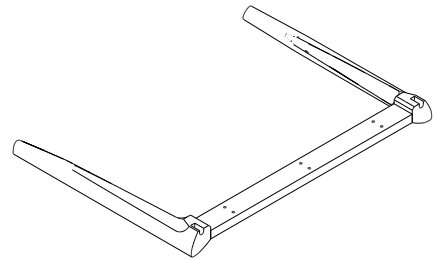
A TABLE TOP 1 piece

| CODE | DESCRIPTION |
|-------|-------------------------------|
| P4968 | TABLE TOP 120-180/90 |
| P4648 | TABLE TOP 140-220/90 |
| P4649 | TABLE TOP 160-240/90 |
| P4650 | TABLE TOP 180-280/100 |
| P4738 | TABLE TOP - BLACK 140-220/90 |
| P4739 | TABLE TOP - BLACK 160-240/90 |
| P4740 | TABLE TOP - BLACK 180-280/100 |
| P4884 | TABLE TOP - 200-300/100 |



C LEG 2 pieces

| CODE | DESCRIPTION |
|-------|-------------|
| P4651 | LEG |
| P4691 | LEG - BLACK |



B LEG SET WITH APRON 1 piece

| CODE | DESCRIPTION |
|-------|----------------------------------|
| P4512 | LEG WITH APRON 90 DEPTH |
| P4515 | LEG WITH APRON 100 DEPTH |
| P4742 | LEG WITH APRON - BLACK 90 DEPTH |
| P4743 | LEG WITH APRON - BLACK 100 DEPTH |

HARDWARE ENCLOSED

| | |
|--|---|
| <p>H0689 SPAX SCREW M6x80 (4pcs)</p> | <p>H0849 SPAX SCREW M6x120 (4pcs)</p> |
| <p>H2069 SCREW M6x40 (6pcs)</p> | <p>H0383 WASHER M8 (8pcs)</p> |

TOOLS

(Included in package)

| |
|--------------------------------------|
| <p>H0893 TORX KEY (1pc)</p> |
| <p>H0745 ALLEN KEY (1pc)</p> |

TOOL

(Not included in package)

| |
|---------------------------------|
| <p>PHILLIPS SCREWDRIVER</p> |
|---------------------------------|

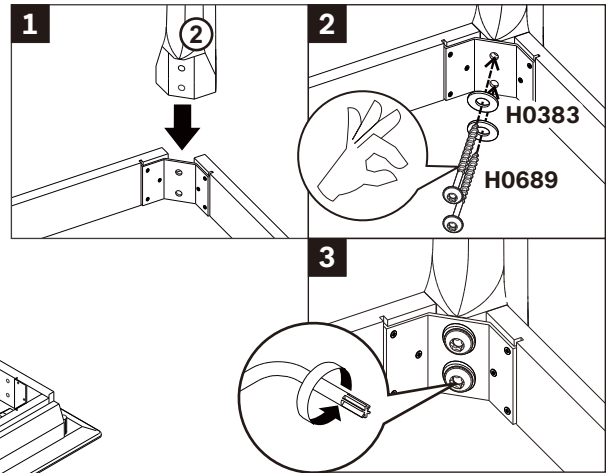
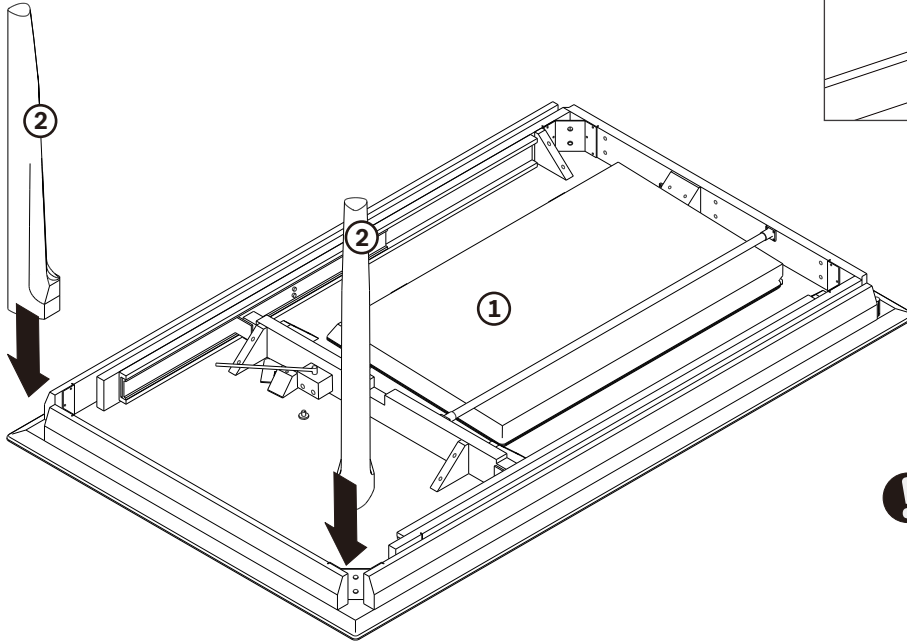
SYMBOLS

| | | |
|-------------------------------------|-------------------------------------|------------------------------------|
| <p>DIRECTION</p> | <p>NUMBER OF PERSONS NEEDED</p> | <p>USE HAND</p> |
| <p>USE ALLEN KEY TO TIGHTEN</p> | <p>USE SCREWDRIVER</p> | <p>USE TORX KEY TO TIGHTEN</p> |

BOK EXTENDABLE DINING TABLE ASSEMBLY INSTRUCTIONS FOR DINING TABLE INSTALLATION



A. INSTALLING LEGS TO TABLE TOP

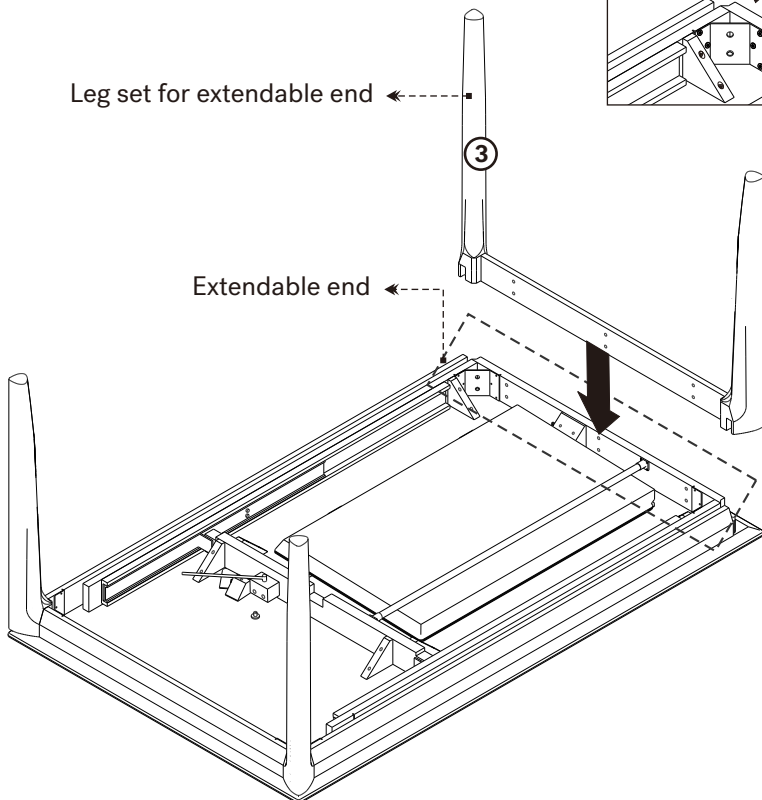


IMPORTANT :

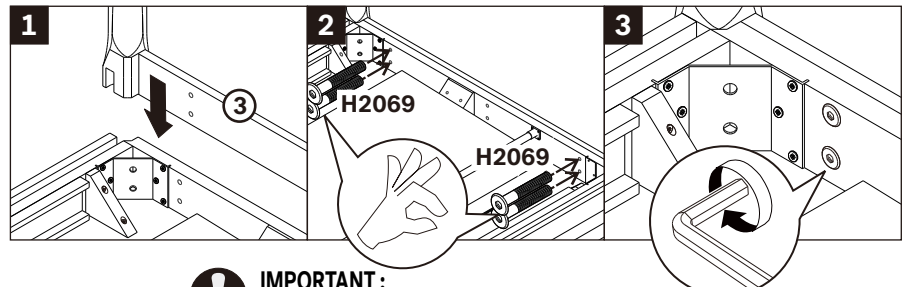
- USE WASHER M8
- USE SPAX SCREW M6x80 FOR THE FIXED LEGS
- TIGHTEN FULLY

B. INSTALLING LEG SET TO TABLE TOP

Leg set for extendable end

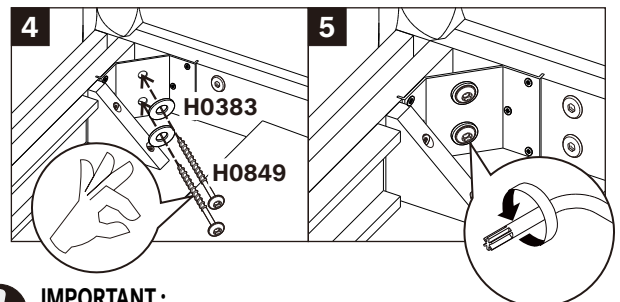


Extendable end



IMPORTANT :

- INSTALL SCREWS M6x40 ON THE RIGHT & LEFT SIDE OF APRON FIRST
- MIDDLE SCREWS ON APRON ARE INSTALLED AFTER TABLE IS IN STANDING POSITION
- DO NOT FULLY TIGHTEN



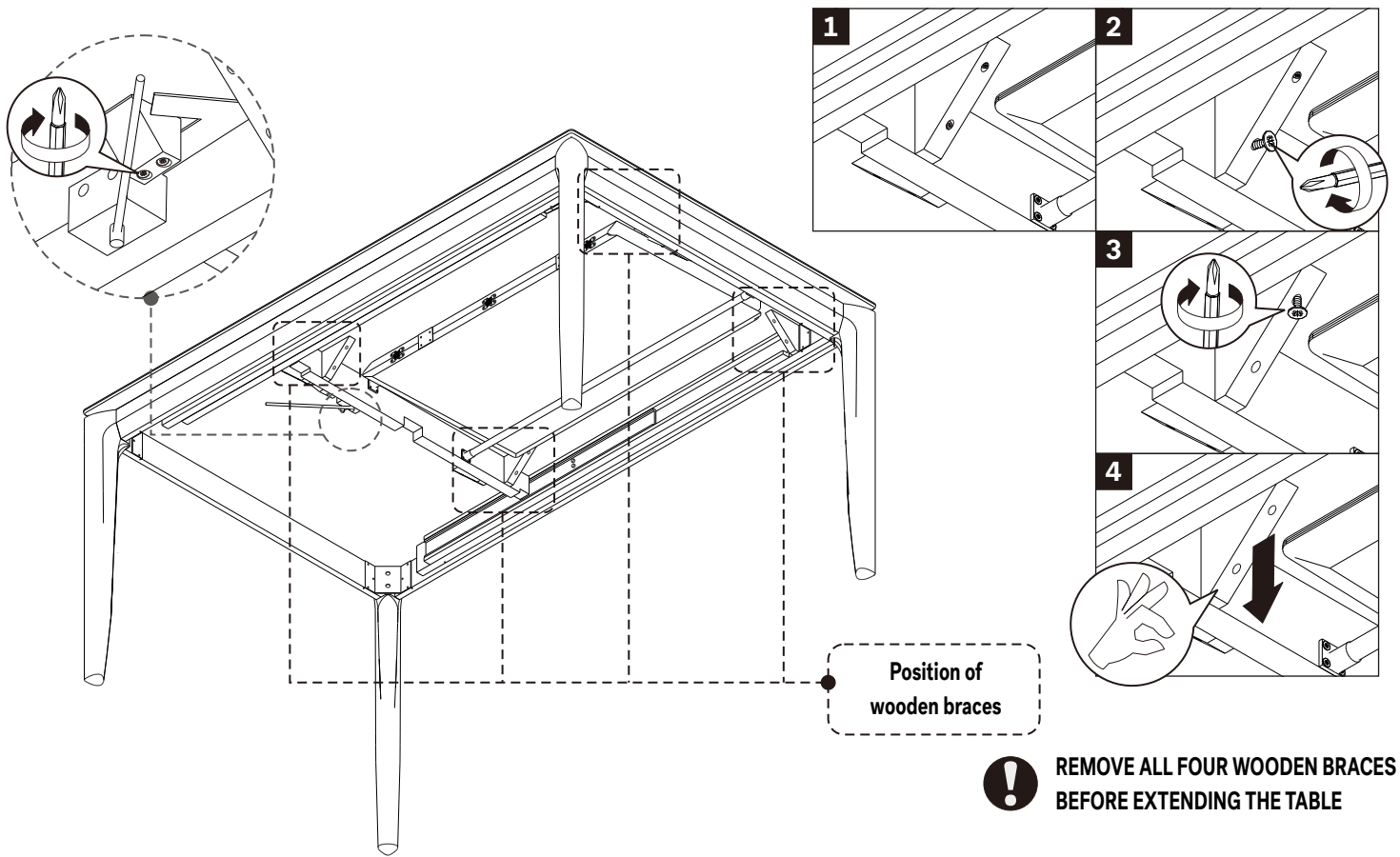
IMPORTANT :

- USE WASHER M8
- USE SPAX SCREW M6x120 FOR THE EXTENDABLE LEGS
- TIGHTEN FULLY ALL SCREWS

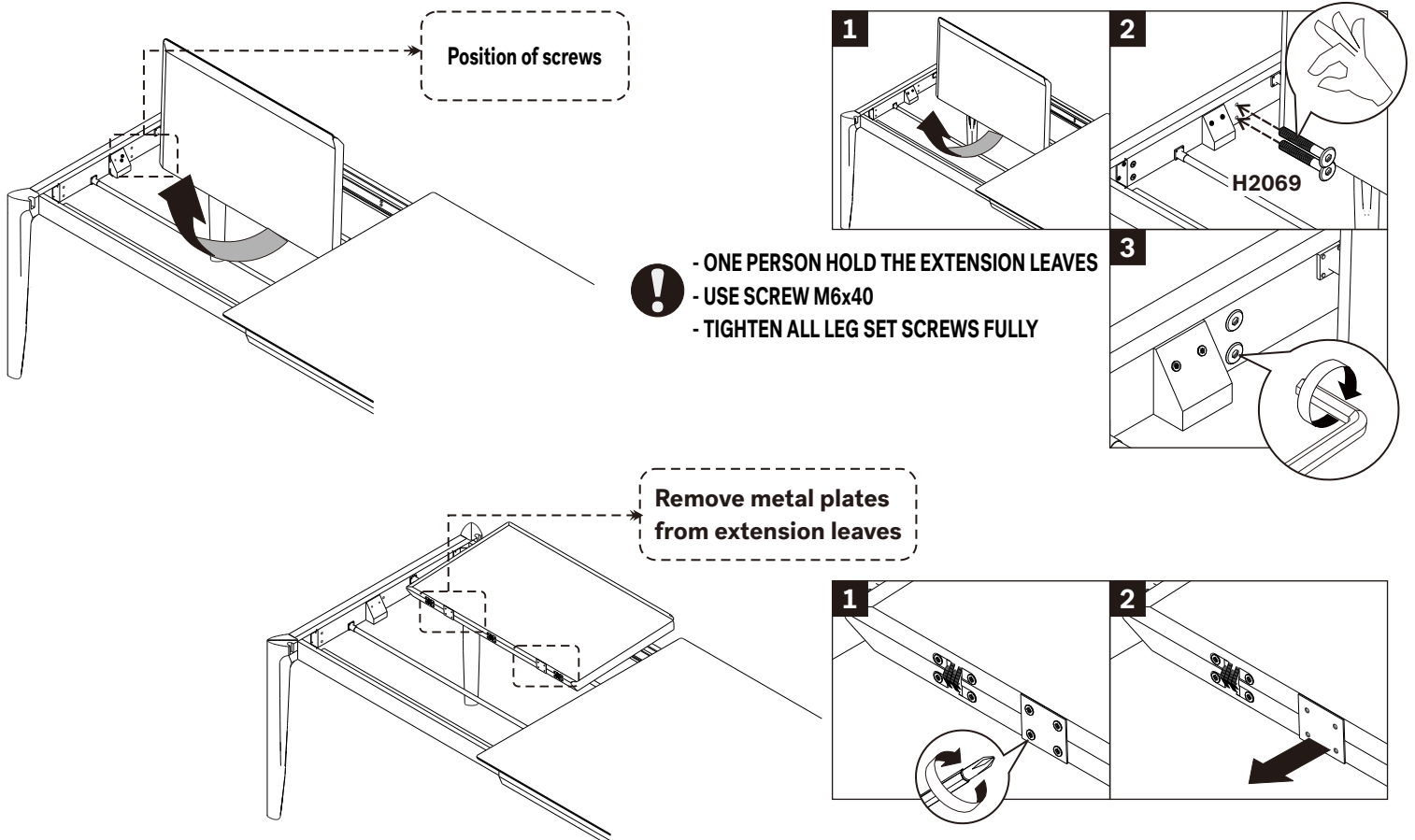
BOK EXTENDABLE DINING TABLE ASSEMBLY INSTRUCTIONS FOR DINING TABLE INSTALLATION



C. REMOVE WOODEN PACKAGING BRACES



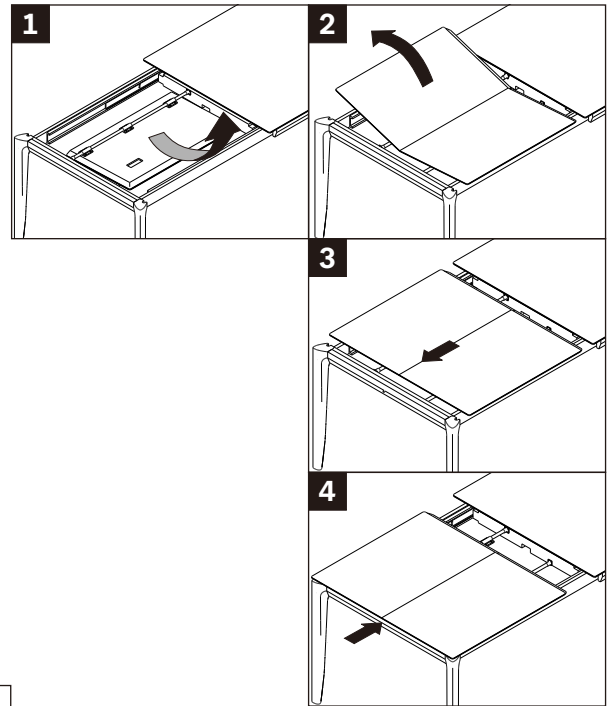
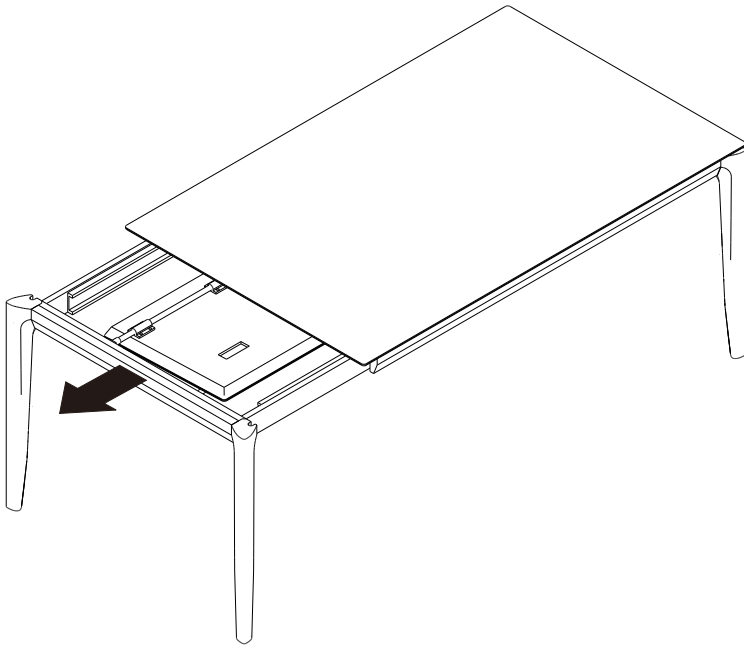
D. INSTALLING CENTRAL SCREWS TO INSIDE OF LEG SET



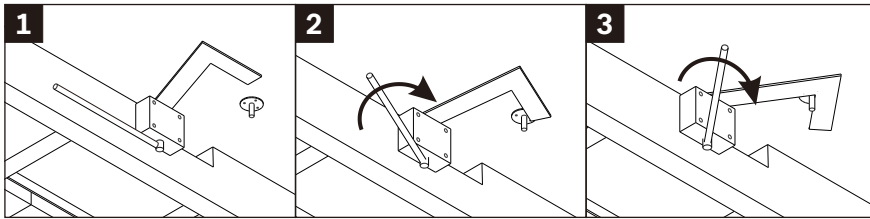
BOK EXTENDABLE DINING TABLE ASSEMBLY INSTRUCTIONS FOR DINING TABLE INSTALLATION



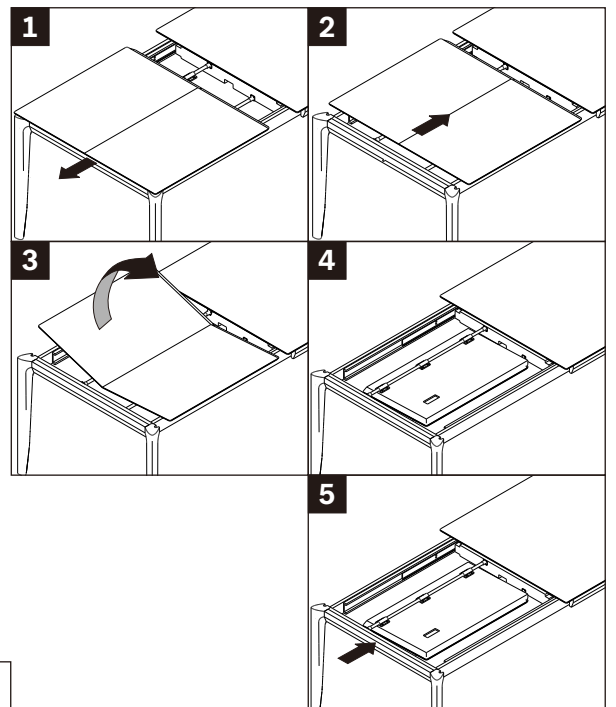
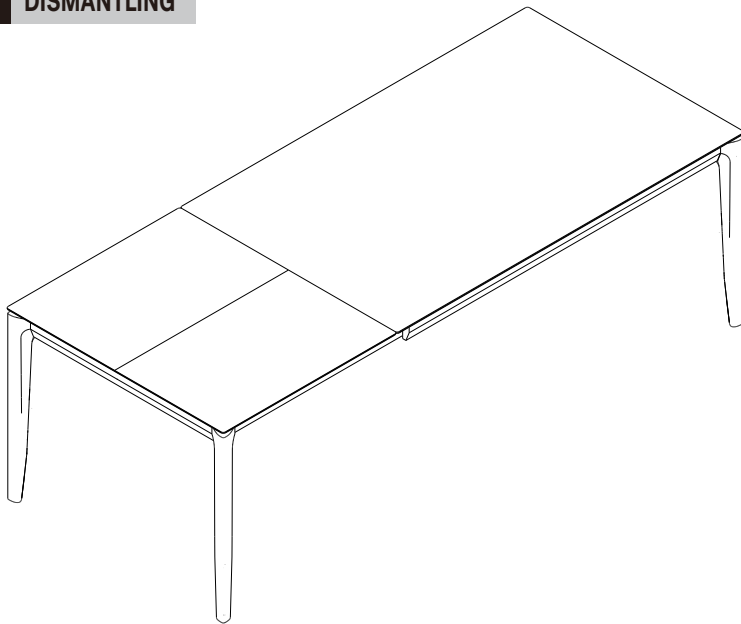
E. EXTENDING



NOTE : AFTER EXTENDING, LOCK IN PLACE ON UNDERSIDE OF TABLE TOP



F. DISMANTLING



NOTE : BEFORE DISMANTLING, UNLOCK ON UNDERSIDE OF TABLE

