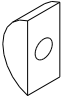
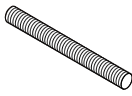

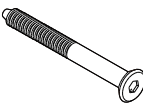
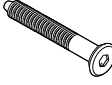
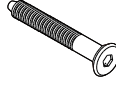


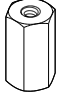

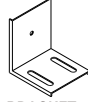
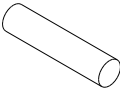
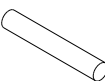



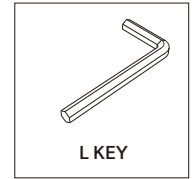
SPINDLE BED - WITHOUT SLATS ASSEMBLY INSTRUCTIONS FOR BED INSTALLATION

HARDWARE ENCLOSED

| | | | | | |
|--|---|---|---|---|---|
|  HALFMOON WASHER 4pcs |  THREADED BOLT M8x95 (4pcs) |  NUT M8 (4pcs) |  SCREW M6x70 (2pcs) |  SCREW M6x50 (STAINLESS) (2pcs) |  SCREW M6x50 (BURNISHED) (1pc) |
|  JCBC SCREW M6x20 (4pcs) |  JCBC SCREW M6x6 (8pcs) |  LONG NUT M6 (2pcs) |  WASHER M6 (2pcs) |  L BRACKET (8pcs) | |
|  DOWEL Ø12x40 mm (12pcs) |  DOWEL Ø10x30 mm (5pcs) |  COVER CUP (4pcs) | | | |

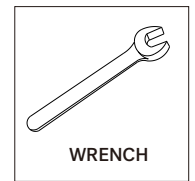
TOOLS

(Included in packaged)



TOOLS

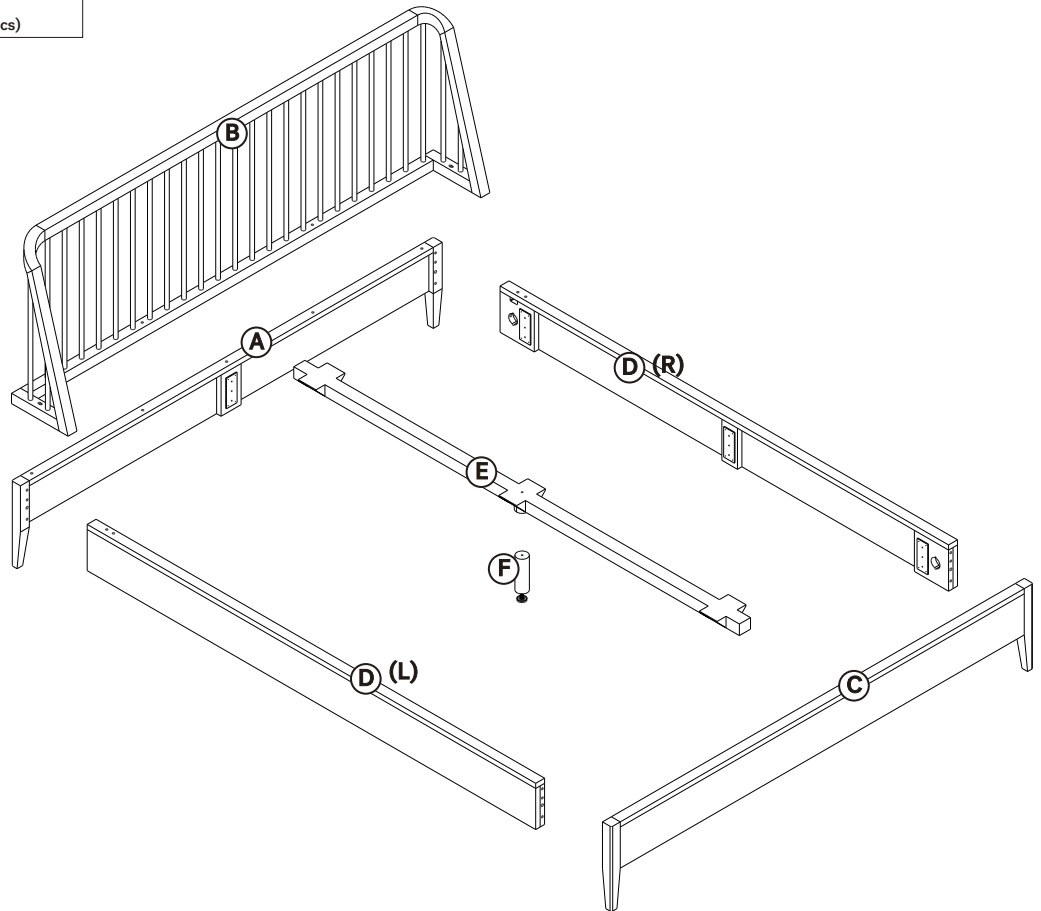
(Not included in packaged)



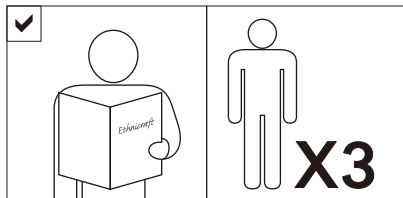
IN YOUR PACKAGE :
ASSEMBLY INSTRUCTIONS
HARDWARE (AS LISTED ABOVE)

PARTS TO BE INSTALLED :

- A. HEADBOARD 1pc
- B. BED HEAD 1pc
- C. FOOTBOARD 1pc
- D. SIDERAILS 2pcs
- E. CENTER SUPPORT 1pc
- F. CENTER LEG 1pc



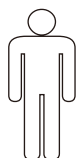
NOTICE



SYMBOLS



DIRECTION



NUMBER OF
PERSONS NEEDED



USE HAND



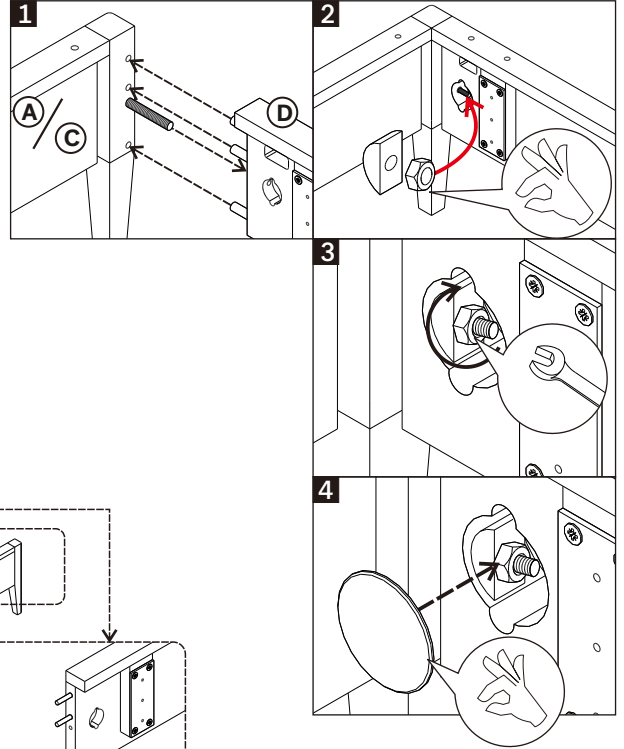
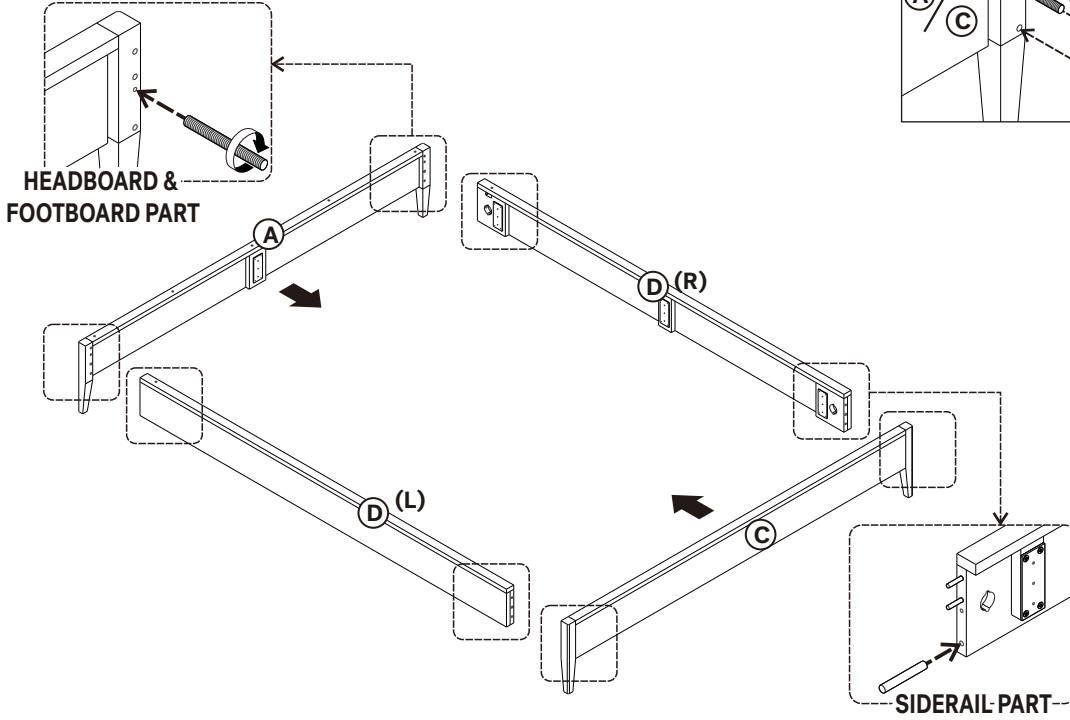
USE WRENCH
TO TIGHTEN



USE L KEY
TO TIGHTEN

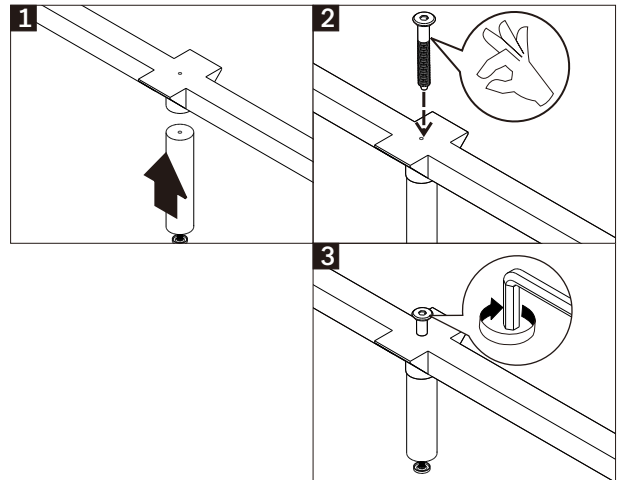
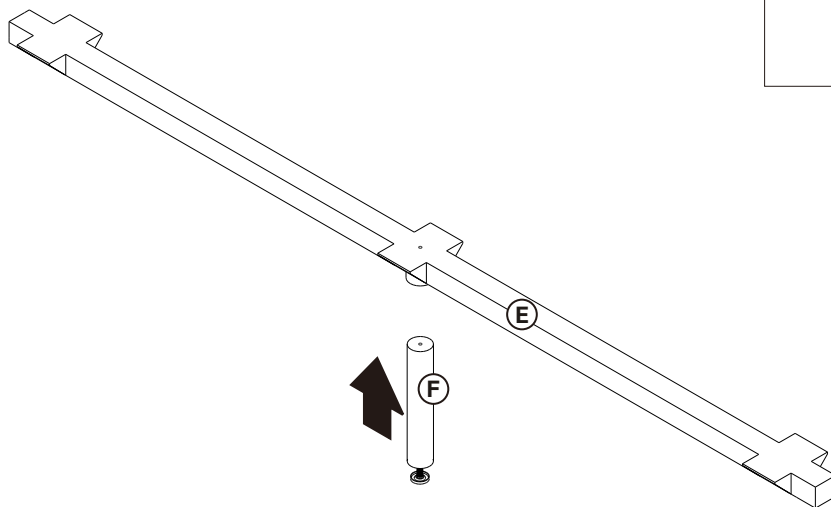
SPINDLE BED - WITHOUT SLATS
ASSEMBLY INSTRUCTIONS FOR BED INSTALLATION

A. CONNECTING SIDERAIL AND HEAD / FOOTBOARD



- USE DOWEL Ø12x40 (12X)
- USE THREADED BOLT M8x95 (4X)
- USE HALFMOON WASHER (4X)
- USE NUT M8 (4X)
- USE COVER CUP (4X)
- TIGHTEN FULLY

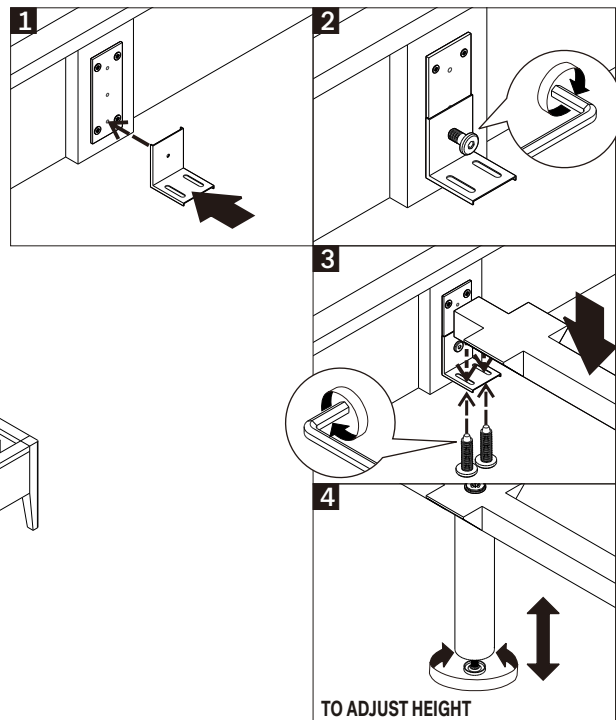
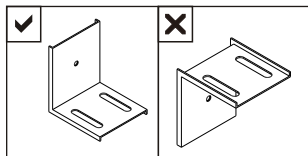
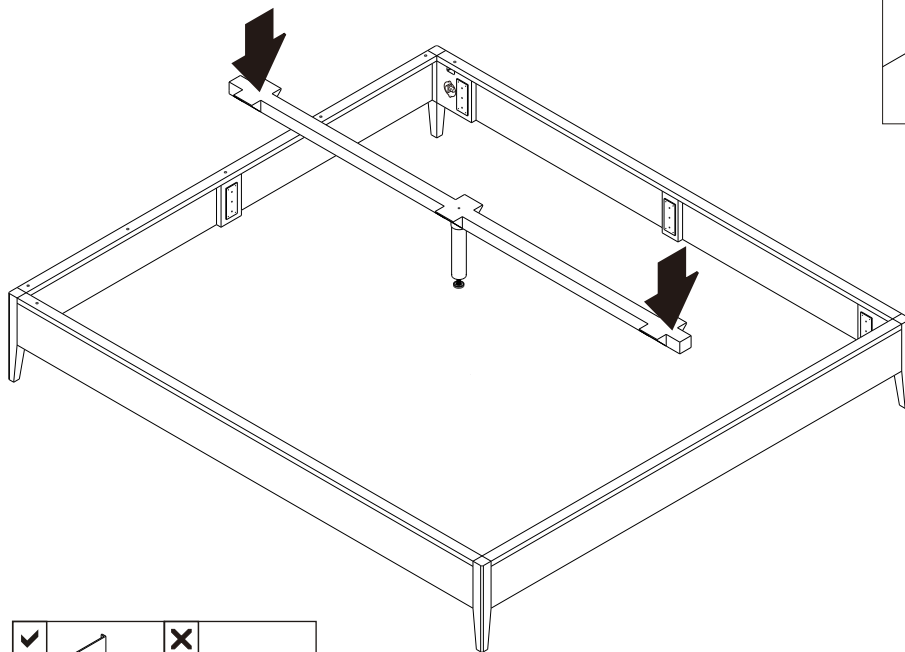
B. CONNECTING CENTER LEG TO CENTER SUPPORT



- USE SCREW M6x50 - BURNISHED (1X)
- TIGHTEN FULLY

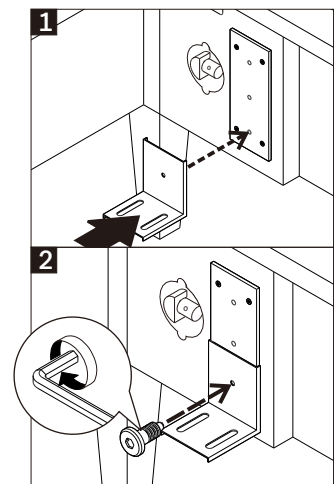
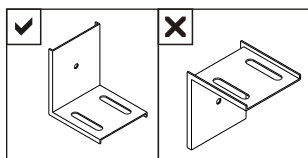
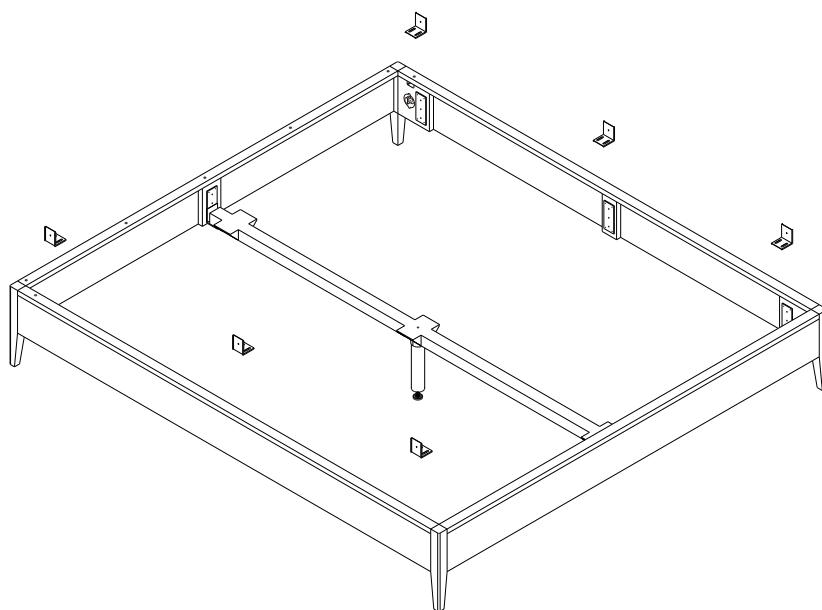
SPINDLE BED - WITHOUT SLATS ASSEMBLY INSTRUCTIONS FOR BED INSTALLATION

C. INSTALLING CENTER SUPPORT



- USE L BRACKET (2X)
- USE JCBC SCREW M6x6 (2X)
- USE JCBC SCREW M6x20 (4X)
- USE WASHER M6 (4X)
- TIGHTEN FULLY ALL SCREWS

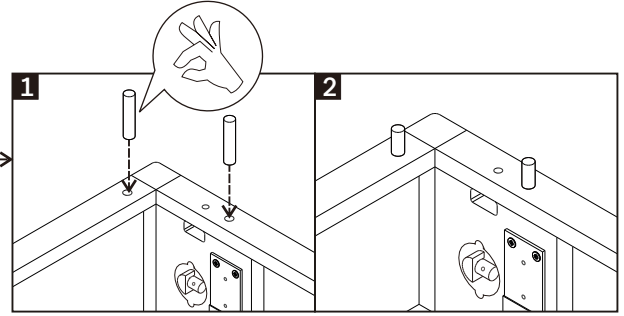
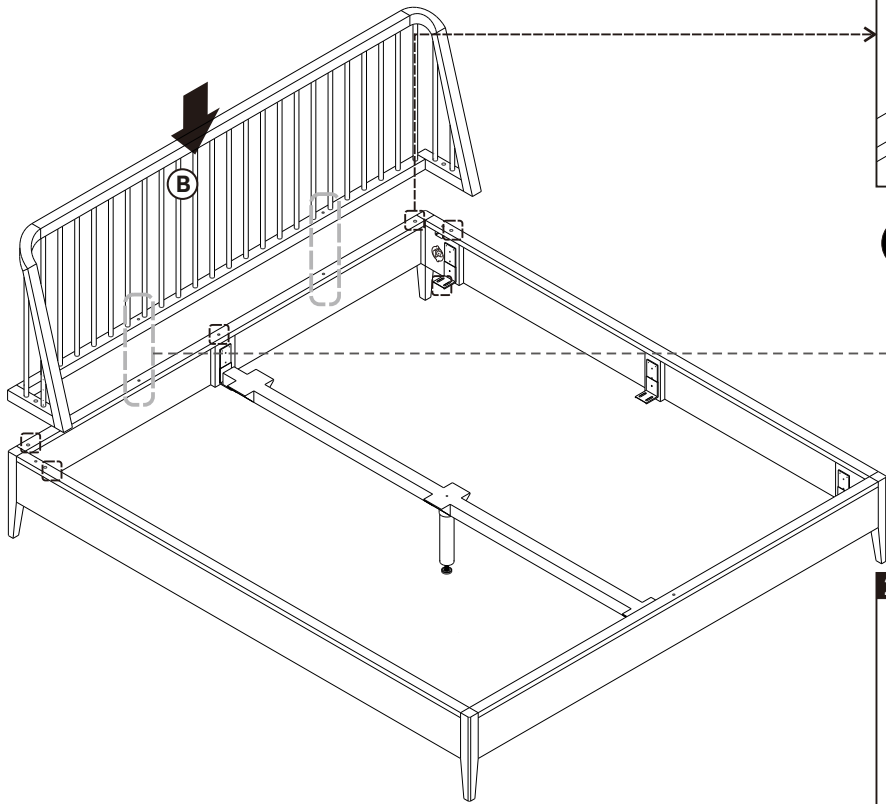
D. INSTALLING L BRACKET



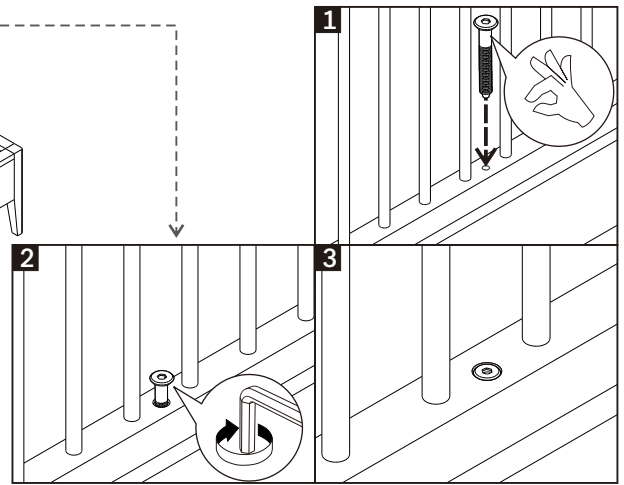
- INSTALLING SLAT SUPPORTS AT THE SAME LEVEL WITH CENTER SUPPORT
- USE L BRACKET (6X)
- USE JCBC SCREW M6x6 (6X)
- TIGHTEN FULLY ALL SCREWS

SPINDLE BED - WITHOUT SLATS ASSEMBLY INSTRUCTIONS FOR BED INSTALLATION

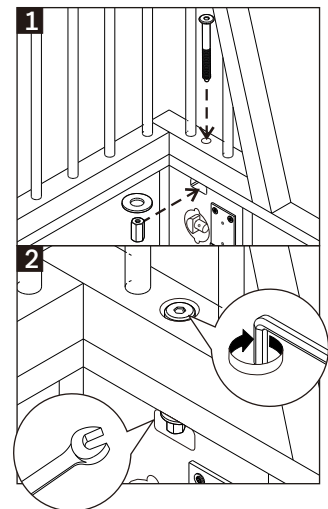
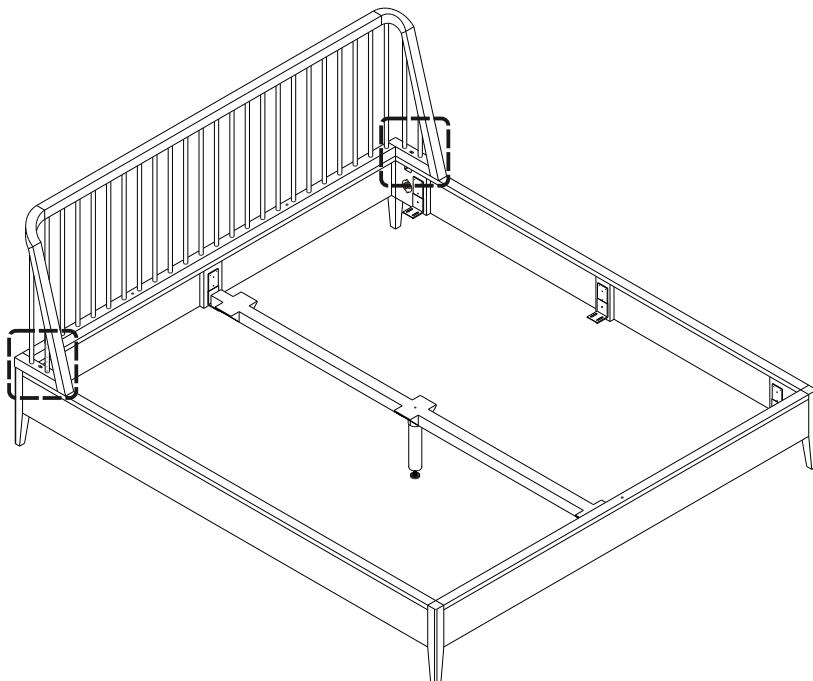
E. INSTALLING BED HEAD



! USE DOWEL Ø10x30 (5X)



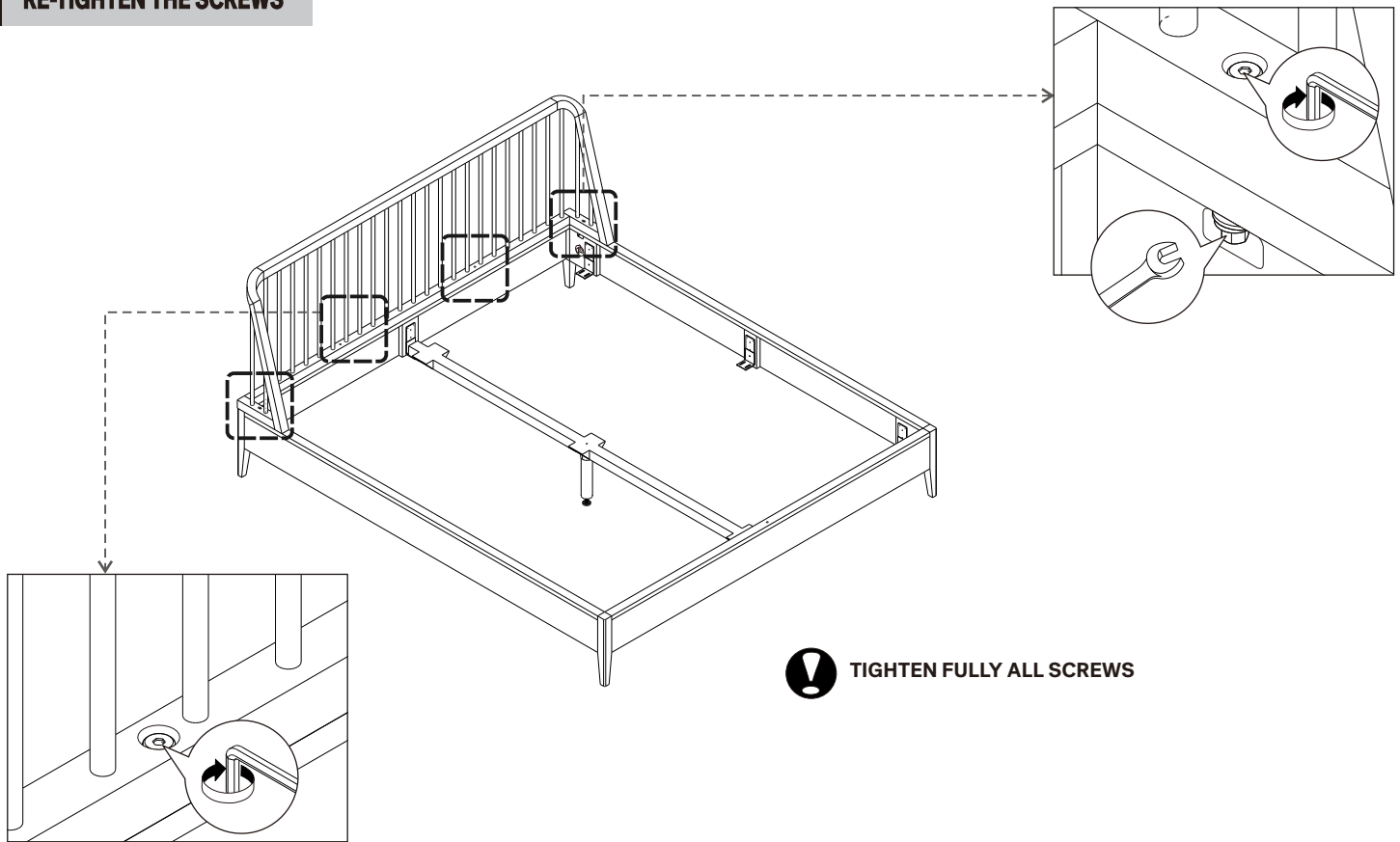
! - USE SCREW M6x50 - STAINLESS (2X)
- DO NOT FULLY TIGHTEN



! - USE SCREW M6x70 (2X)
- USE WASHER M6 (2X)
- USE LONG NUT M6 (2X)
- DO NOT FULLY TIGHTEN

SPINDLE BED - WITHOUT SLATS ASSEMBLY INSTRUCTIONS FOR BED INSTALLATION

F. RE-TIGHTEN THE SCREWS



G. FINISH

