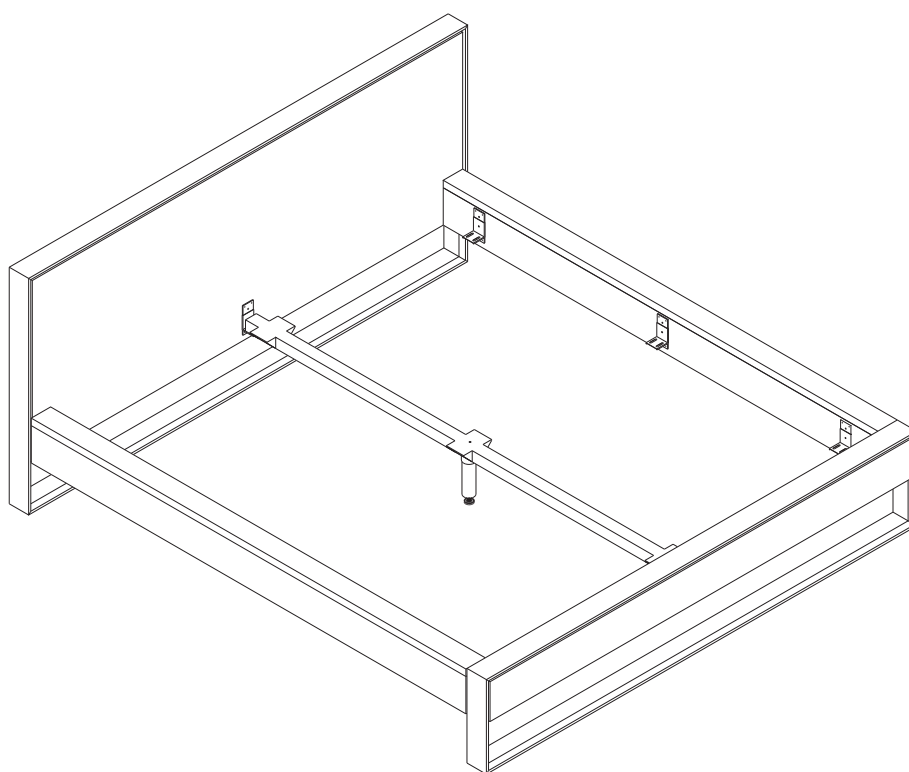


ASSEMBLY INSTRUCTIONS FOR BED INSTALLATION

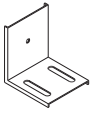


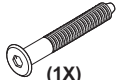


OAK NORDIC II BED - WITHOUT SLATS

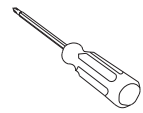
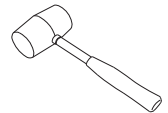
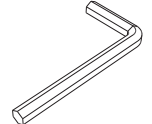
51215	OAK NORDIC II BED - WITHOUT SLATS 180/200/95
51216	OAK NORDIC II BED - WITHOUT SLATS 160/200/95
51219	OAK NORDIC II BED - WITHOUT SLATS 140/200/95

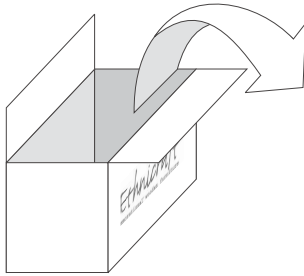
OAK NORDIC II BED - WITHOUT SLATS ASSEMBLY INSTRUCTIONS FOR BED INSTALATION

HARDWARE ENCLOSED

 (8X) L BRACKET	 (8X) JCBC SCREW Ø 6 x 6	 (4X) JCBC SCREW Ø 6 x 20
 (1X) COUBTERSUNK SCREW Ø 6 x 50 mm		

TOOLS

 SCREWDRIVER (Not included in package)	 RUBBER HAMMER (Not included in package)
	 L KEY (included in package)



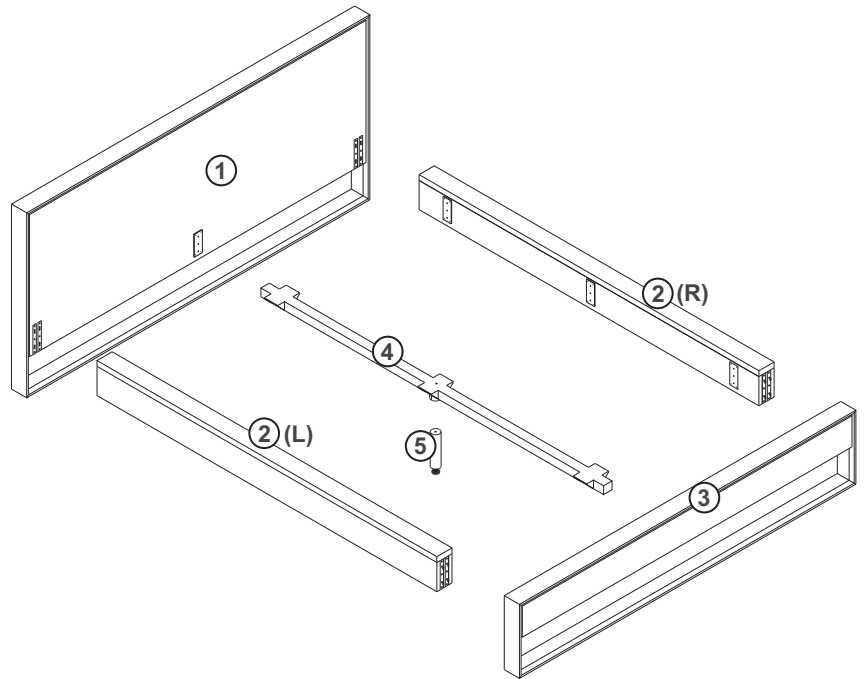
IN YOUR PACKAGE :

ASSEMBLY INSTRUCTIONS

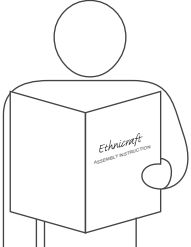
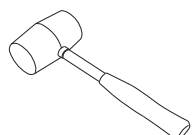


HARDWARE (AS LISTED ABOVE)

PARTS TO BE INSTALLED

- 1) HEADBOARD 1 piece
- 2) SIDE SUPPORT 2 pieces
- 3) FOOTBOARD 1 piece
- 4) CENTER SUPPORT 1 piece
- 5) CENTER LEG 1 piece



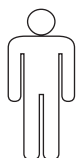
NOTICE

✓ 	✓ 	✗ 	 X3
--	--	---	--

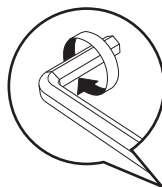
SYMBOLS



DIRECTION



NUMBER OF
PERSONS NEEDED



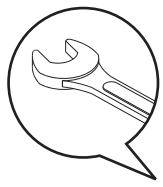
USE L KEY
TO TIGHTEN



USE RUBBER
HAMMER



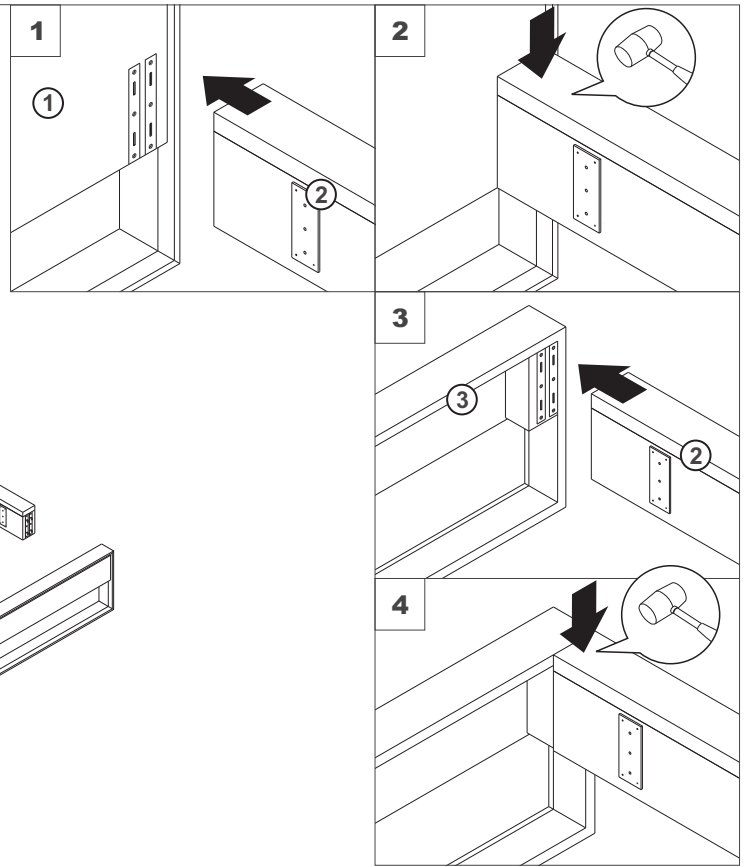
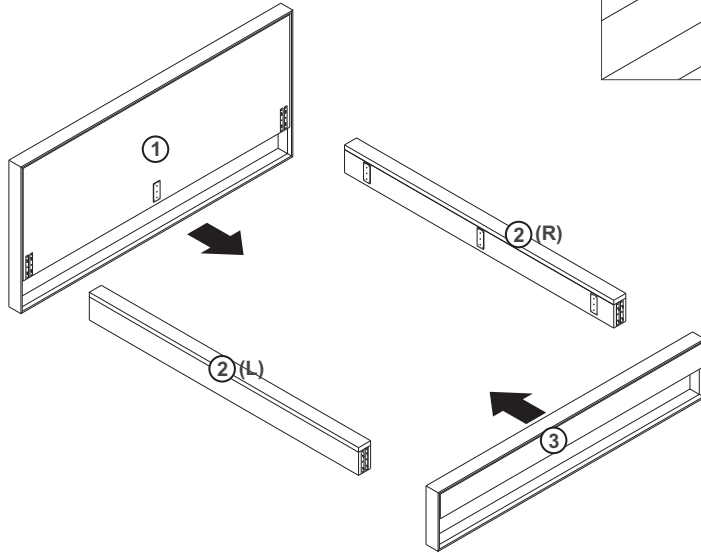
USE HAND



USE WRENCH
TO TIGHTEN

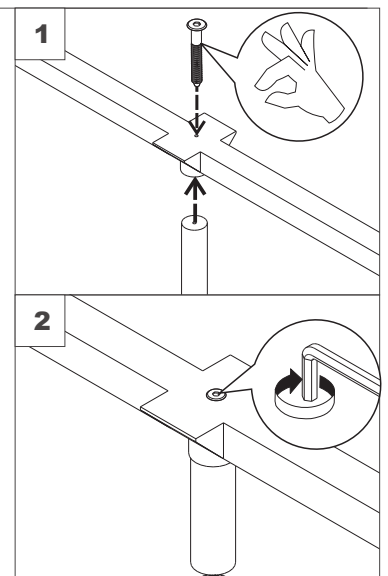
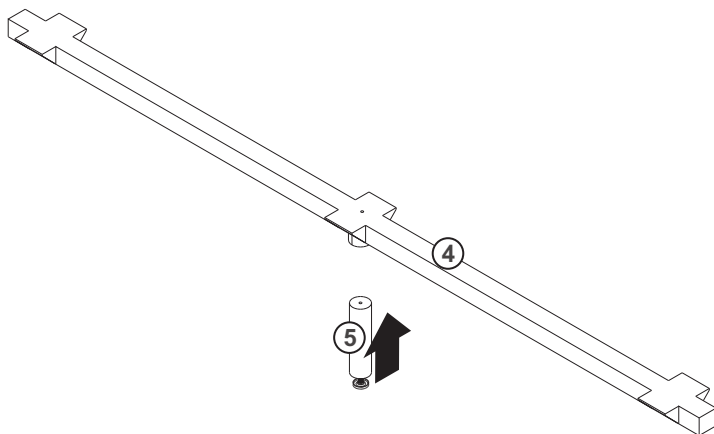
OAK NORDIC II BED - WITHOUT SLATS ASSEMBLY INSTRUCTIONS FOR BED INSTALATION

A. Connecting Side Rail and Head/Foot board



⚠ Two persons hold each of the side rail

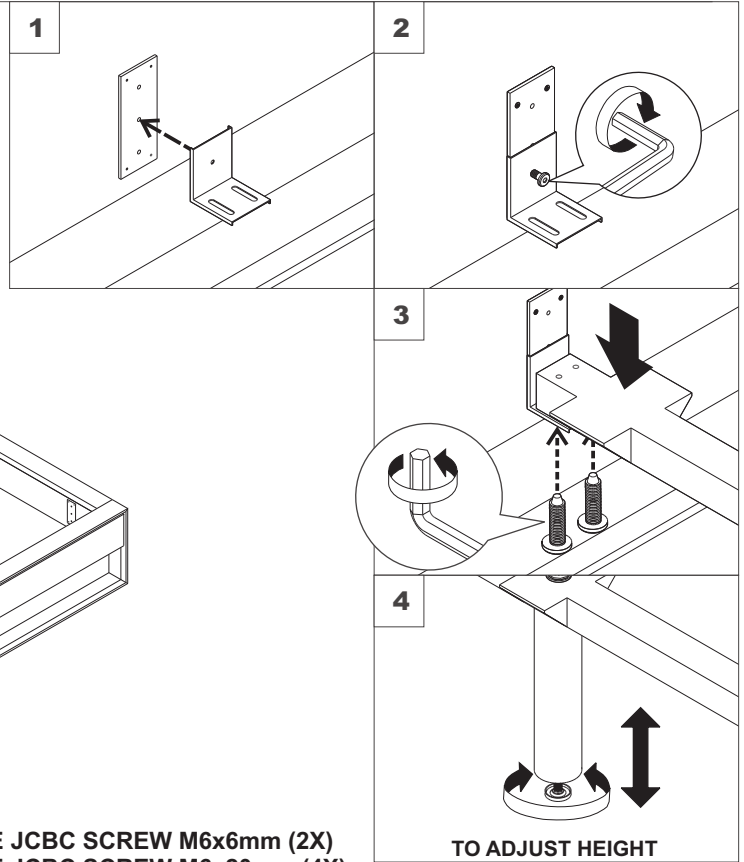
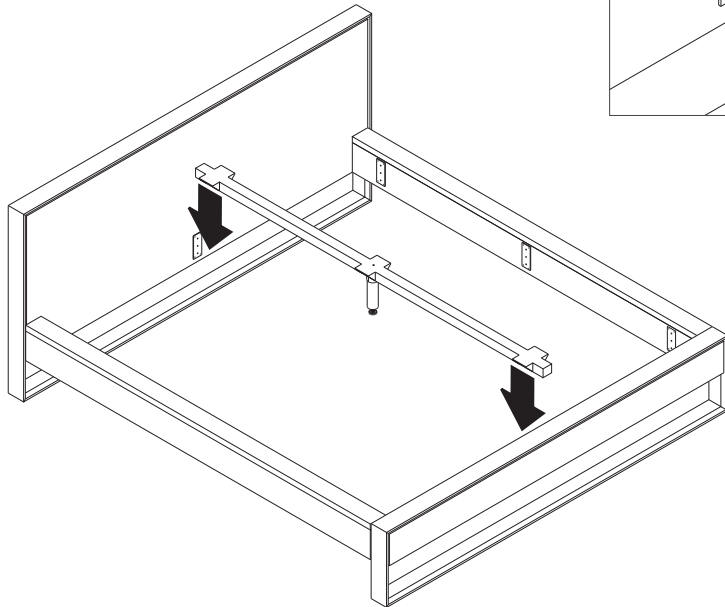
B. Installing Center Leg to Center Support



- USE COUNTERSUNK SCREW
M6x50mm (1X)
- TIGHTEN FULLY

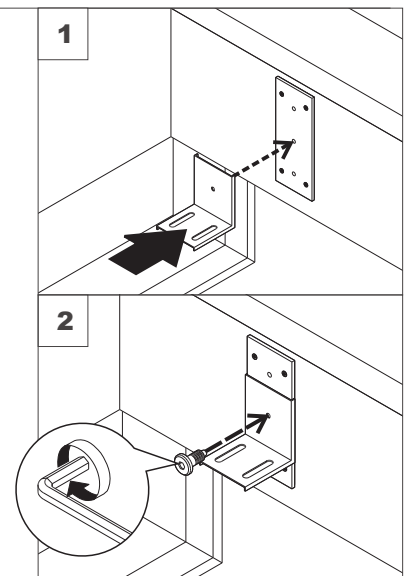
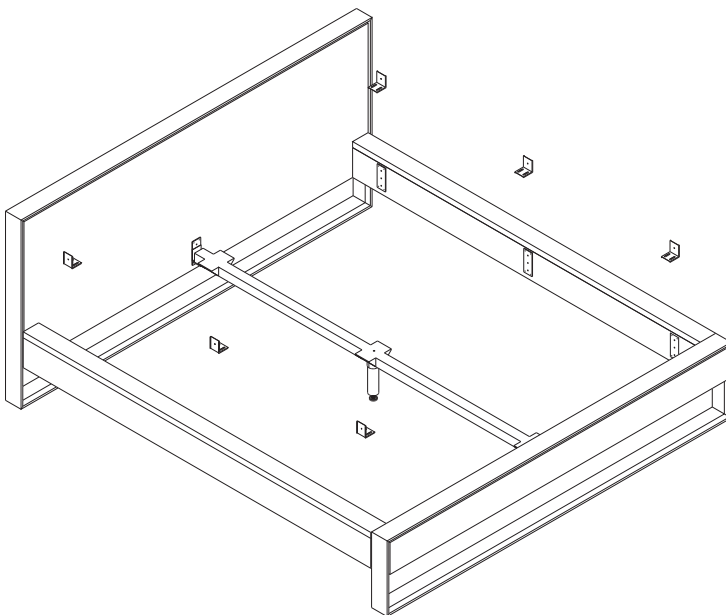
OAK NORDIC II BED - WITHOUT SLATS ASSEMBLY INSTRUCTIONS FOR BED INSTALATION

C. Installing Center Support



- USE JCBC SCREW M6x6mm (2X)
- USE JCBC SCREW M6x20mm (4X)
- TIGHTEN FULLY ALL SCREWS

D. Installing L Brackets



- USE JCBC SCREW M6x6mm (6X)
- TIGHTEN FULLY