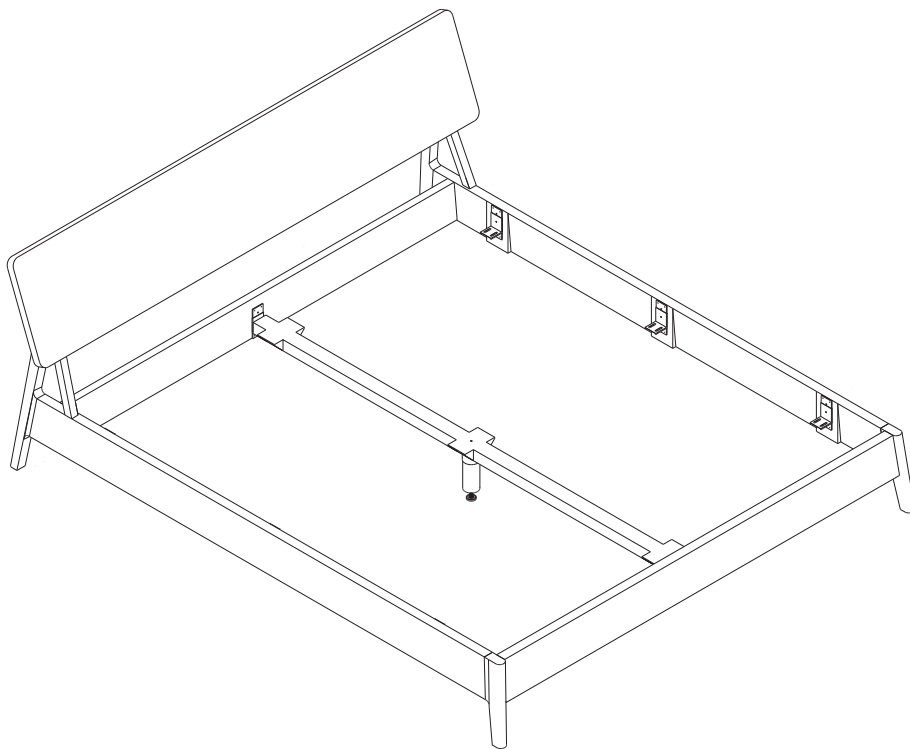


## ASSEMBLY INSTRUCTIONS FOR BED INSTALLATION

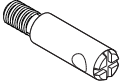

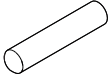
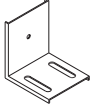
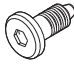
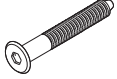



### OAK AIR BED - WITHOUT SLATS

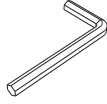
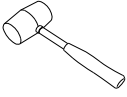
51211	OAK AIR BED - WITHOUT SLATS 180/200/95
51212	OAK AIR BED - WITHOUT SLATS 160/200/95

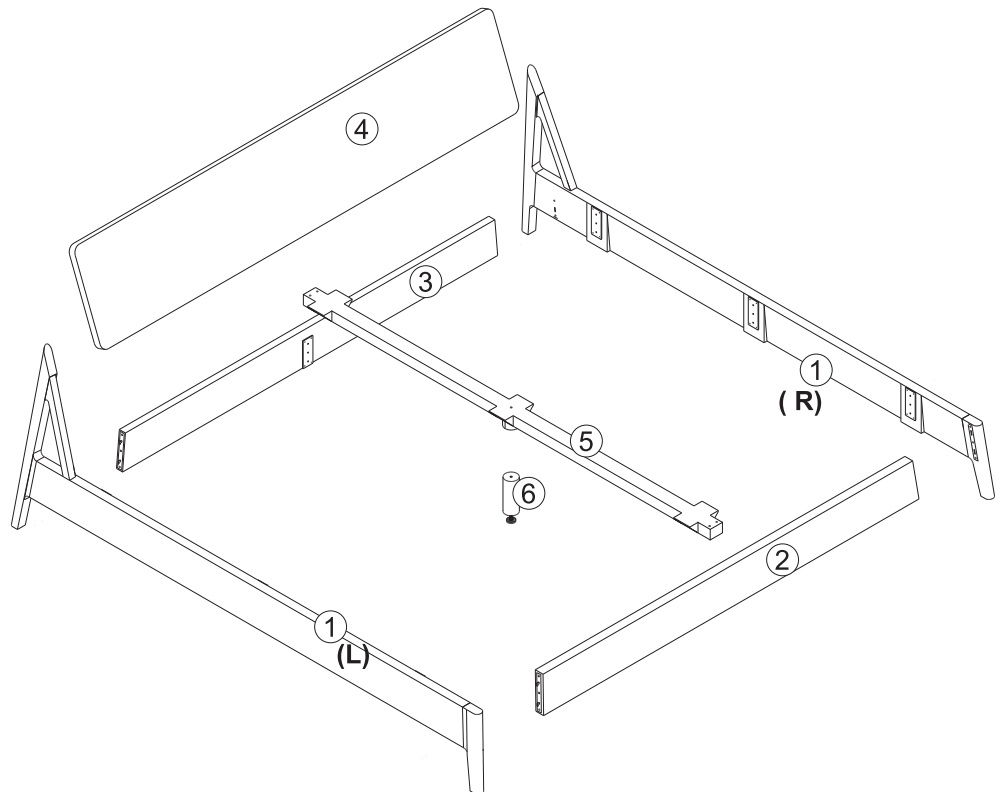
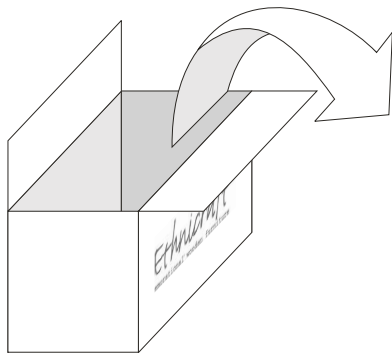
## OAK AIR BED - WITHOUT SLATS ASSEMBLY INSTRUCTIONS FOR BED INSTALLATION

### HARDWARE ENCLOSED

 Bolt Connector (4pcs)	 Screw Connector (4pcs)	 Dowel (4pcs)	 L Bracket (8pcs)	 JCBC Screw M6x6 (8pcs)
 Countersunk Screw M6x50 (1pc)	 JCBC Screw M6x20 (4pcs)			

### TOOLS

 L KEY (Included in package)	 RUBBER HAMMER (Not included in package)
---	---

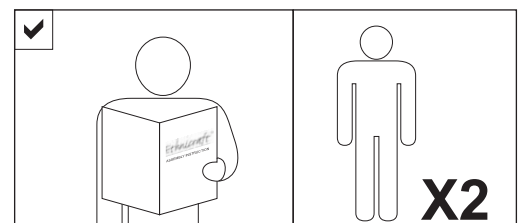


**IN YOUR PACKAGE :**  
ASSEMBLY INSTRUCTIONS  
HARDWARE (AS LISTED ABOVE)

#### PARTS TO BE INSTALLED

1. SIDERAILS 2pcs
2. FOOTBOARD 1pc
3. HEADBOARD RAIL 1pc
4. HEADBOARD 1pc
5. CENTER SUPPORTS 1pc
6. CENTER LEG 1pc

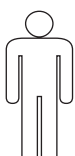
#### NOTICE



#### SYMBOLS



DIRECTION



NUMBER OF  
PERSONS NEEDED



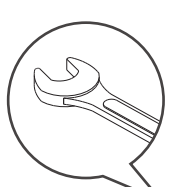
USE L KEY  
TO TIGHTEN



USE RUBBER  
HAMMER



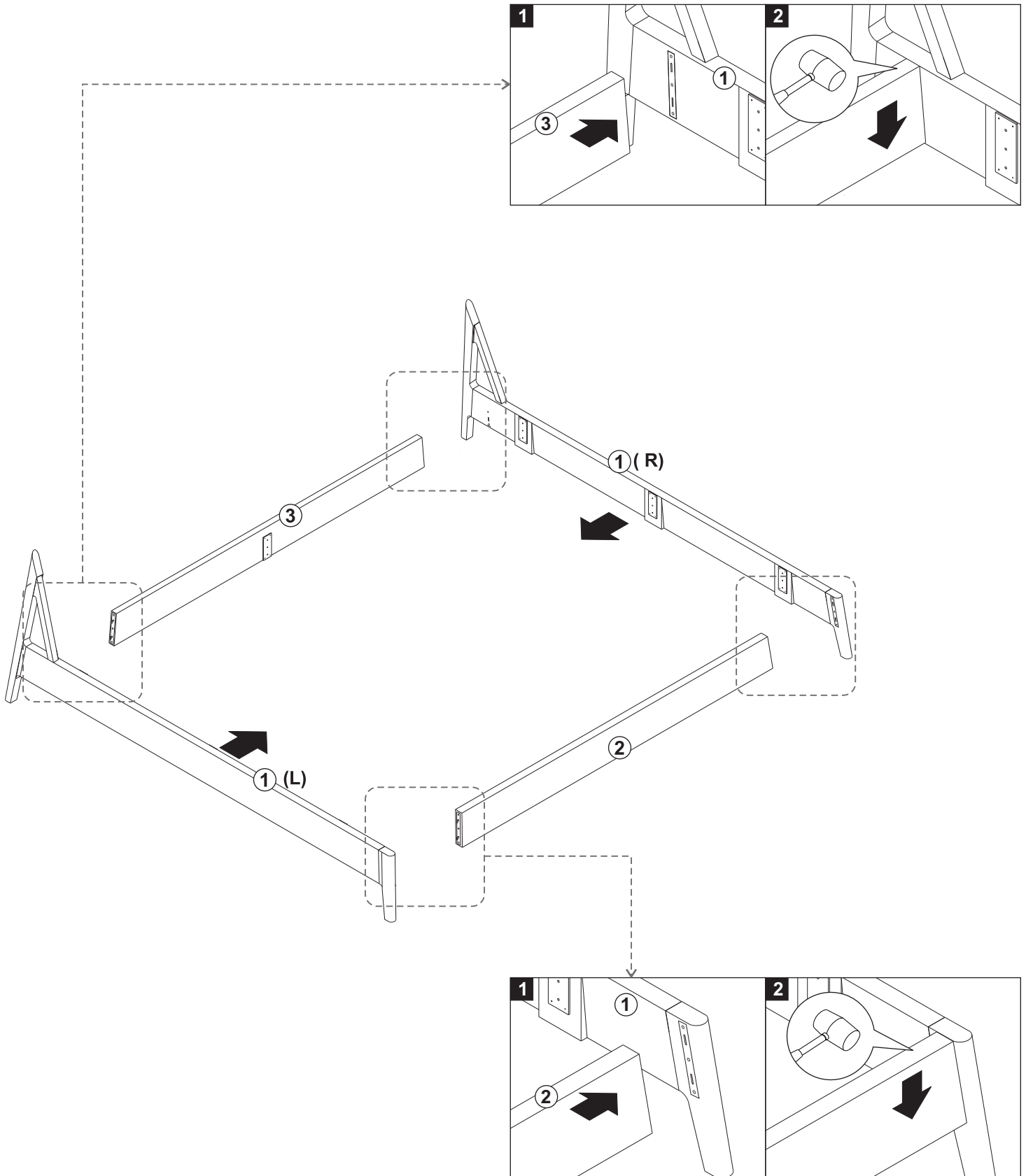
USE HAND



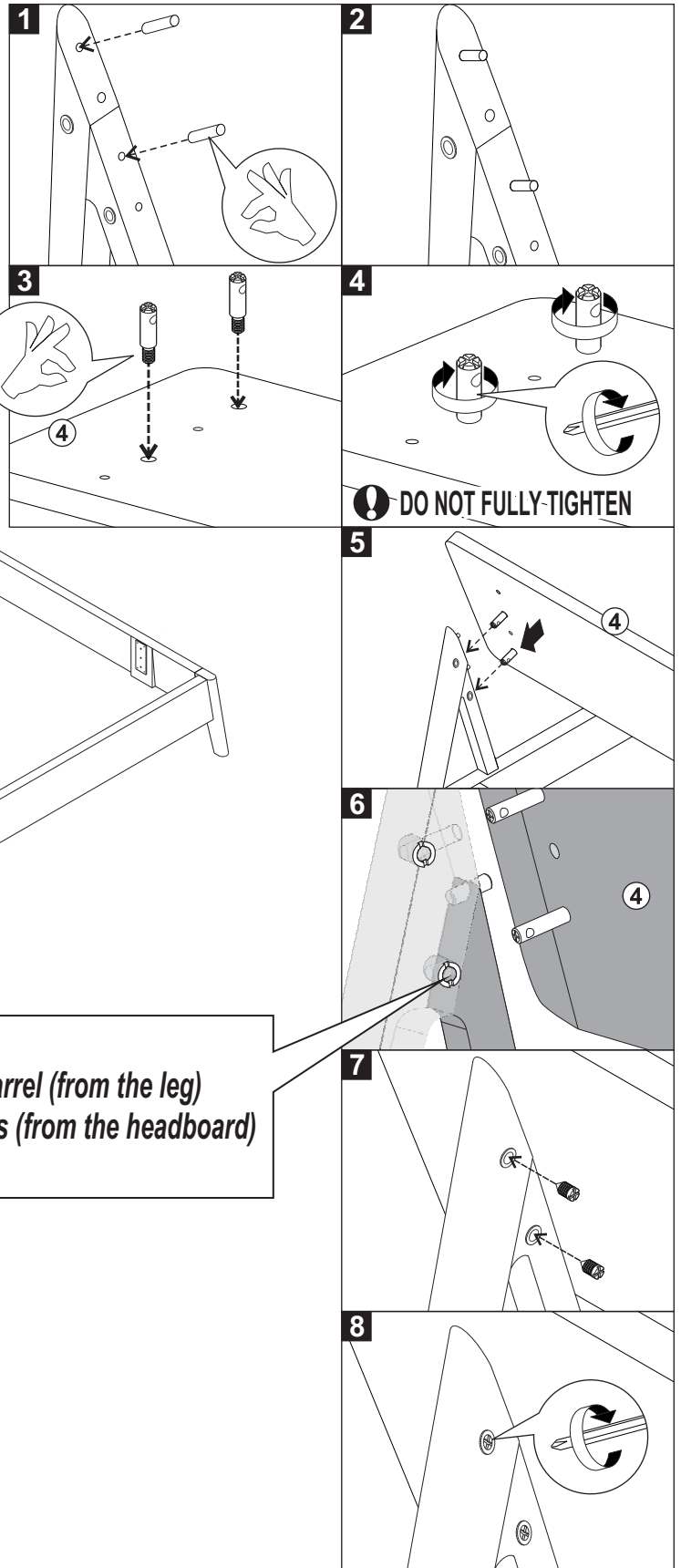
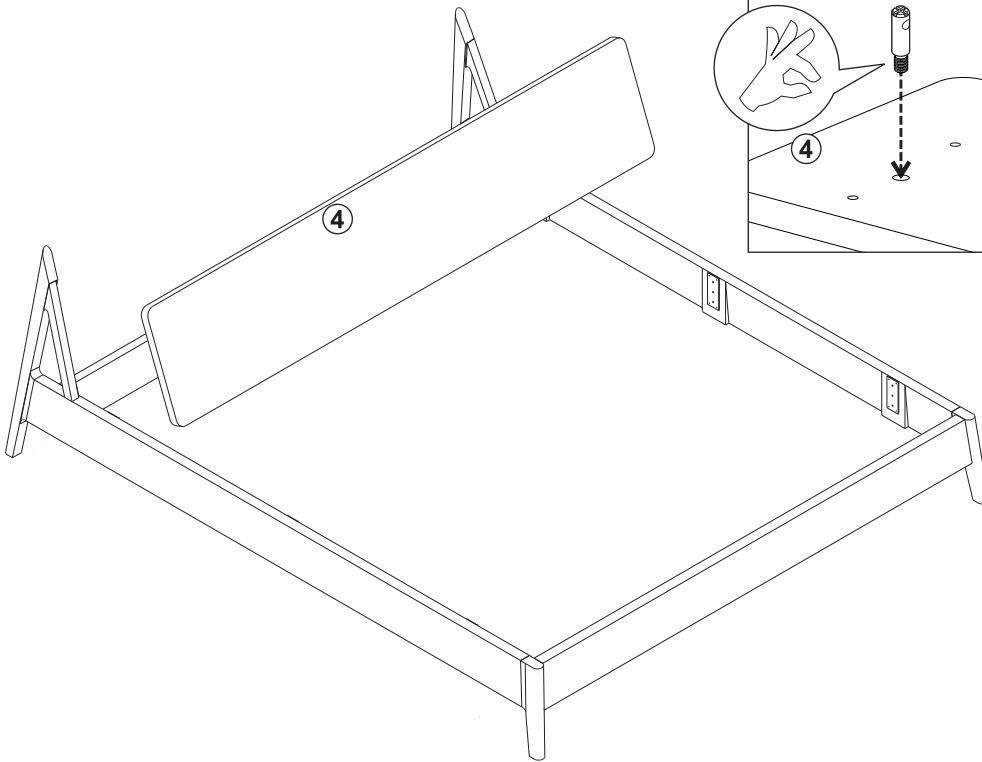
USE WRENCH  
TO TIGHTEN

## OAK AIR BED - WITHOUT SLATS ASSEMBLY INSTRUCTIONS FOR BED INSTALLATION

### A. INSTALLING SIDERAIL + FOOTBOARD + HEADBOARD RAIL



## B. INSTALLING HEADBOARD



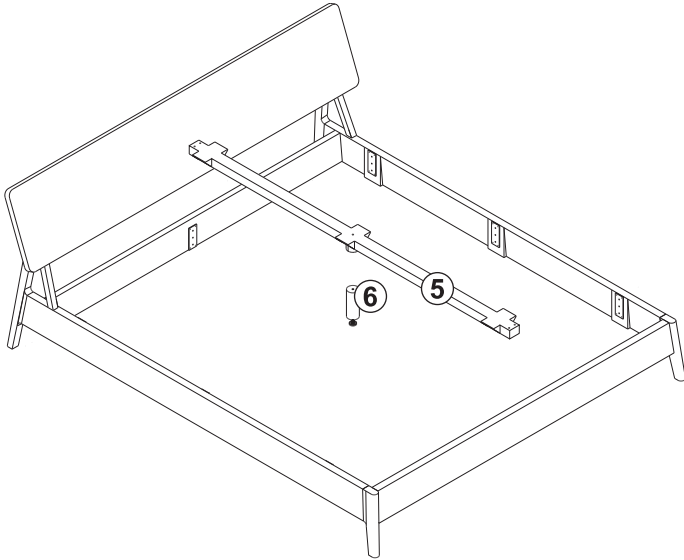
**Note:**  
Before placing the headboard turn the barrel (from the leg) with a screwdriver so the bolt-connectors (from the headboard) fit into the barrels.



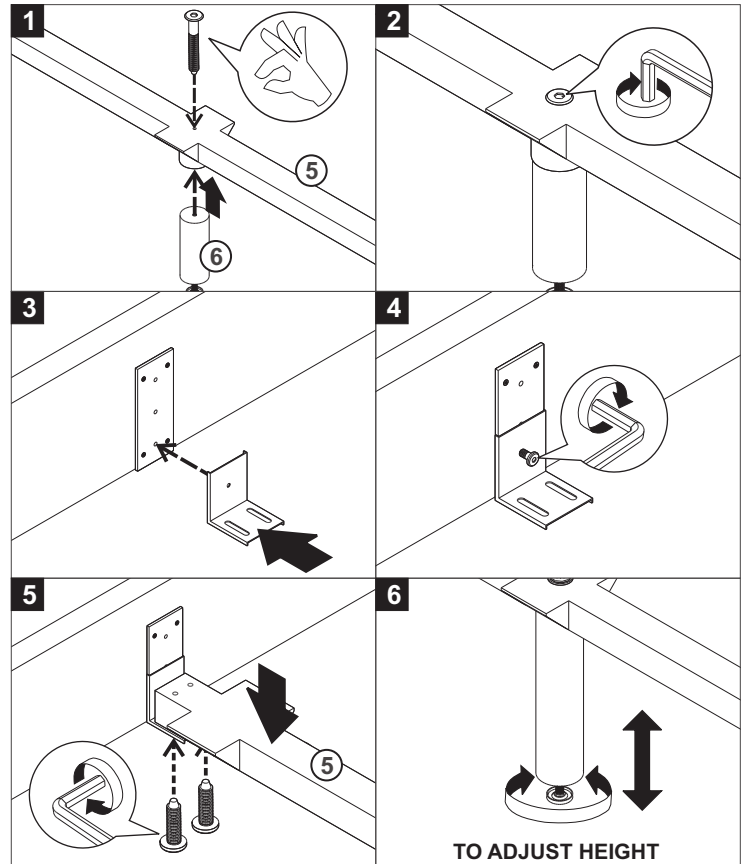
- USE DOWEL (4X)
- USE BOLT CONNECTOR (4X)
- USE SCREW CONNECTOR (4X)
- TIGHTEN FULLY

OAK AIR BED - WITHOUT SLATS  
ASSEMBLY INSTRUCTIONS FOR BED INSTALLATION

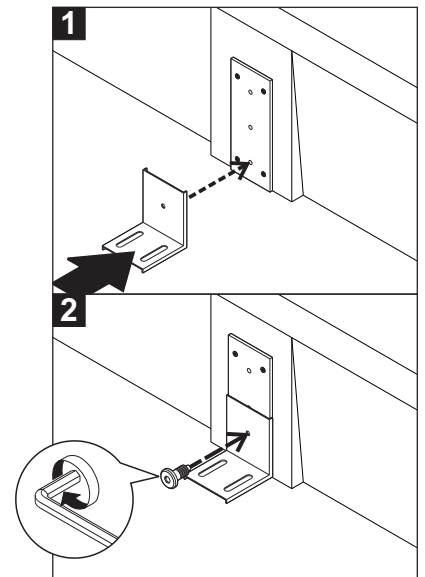
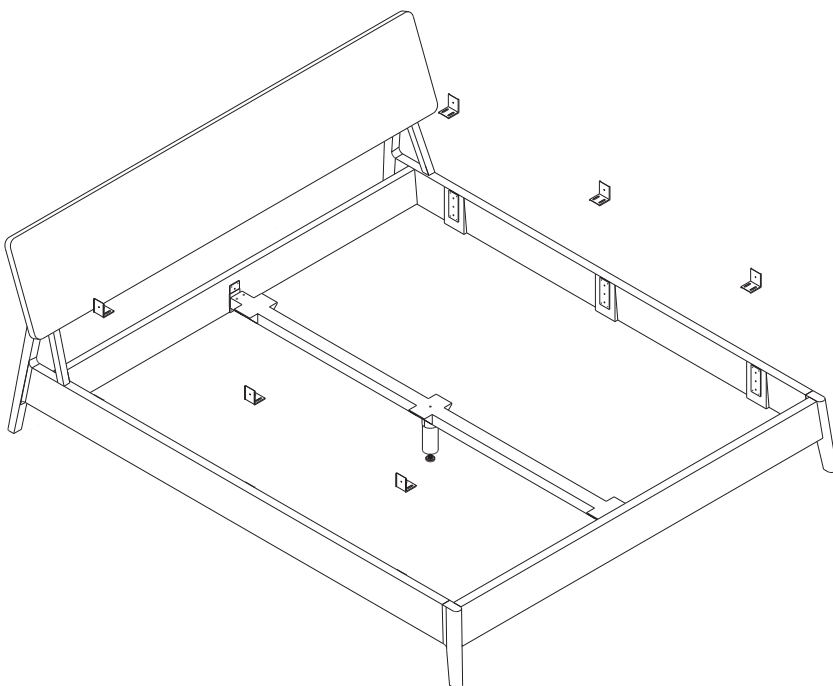
**C. INSTALLING MIDDLE SUPPORT & CENTER LEG**



- USE JCBC SCREW M6x6mm (2X)
- USE COUNTERSUNK SCREW M6x50mm (1X)
- USE JCBC SCREW M6x20mm (4X)
- TIGHTEN FULLY ALL SCREWS



**D. INSTALLING L BRACKET TO SIDE RAIL**



- USE JCBC SCREW M6x6mm (6X)
- TIGHTEN FULLY ALL SCREWS