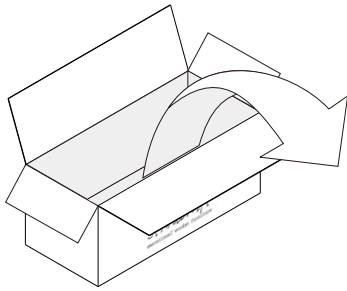
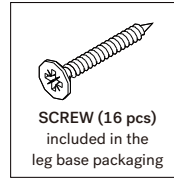


## OAK BOK TABLE TOP - WITH CABLE MANAGEMENT ASSEMBLY INSTRUCTION FOR TABLE TOP INSTALLATION



### HARDWARE ENCLOSED



### TOOL



### IN YOUR PACKAGE :

ASSEMBLY INSTRUCTION

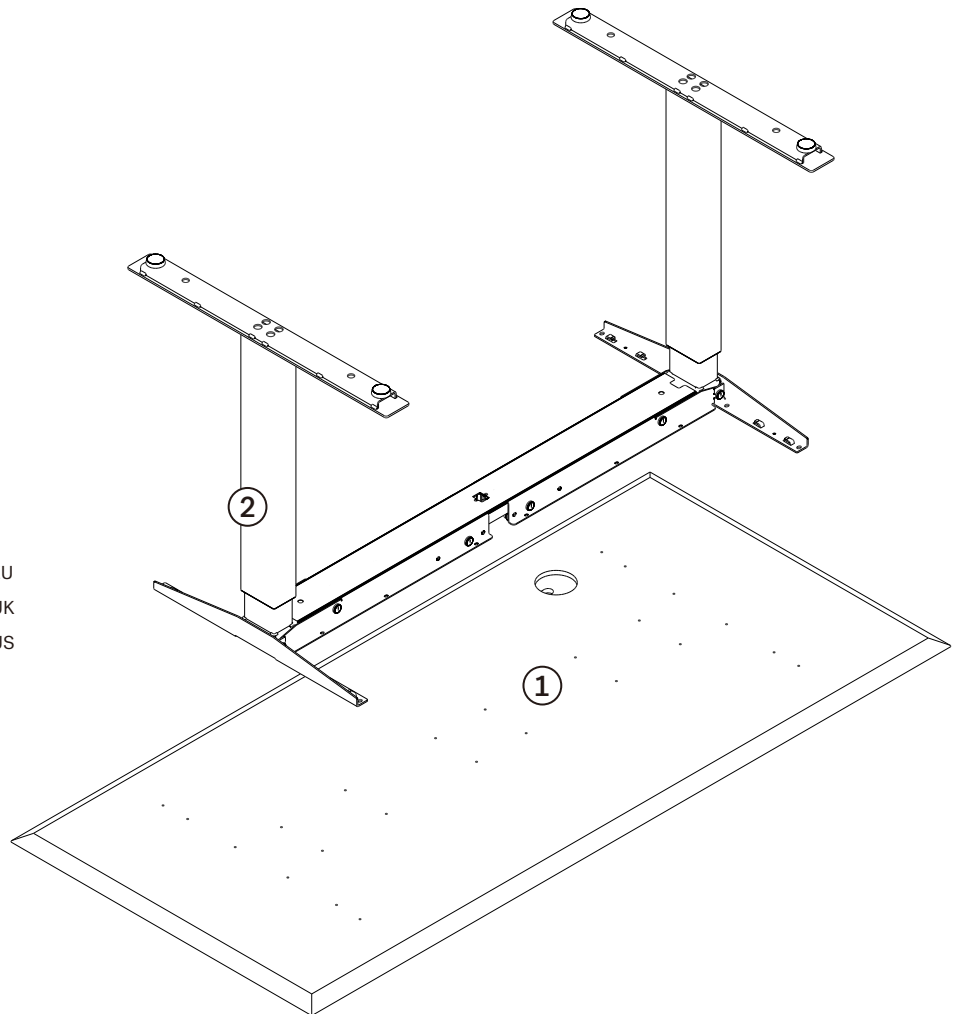
### PARTS TO BE INSTALLED

#### 1. TABLE TOP

- 51565 / 51570 OAK BOK TABLE TOP 140
- 51566 / 51571 OAK BOK TABLE TOP 160

#### 2. LEG BASE

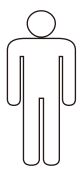
- 59216 / 59219 METAL ADJUSTABLE TABLE BASE - EU
- 59217 / 59220 METAL ADJUSTABLE TABLE BASE - UK
- 59218 / 59221 METAL ADJUSTABLE TABLE BASE - US



### SYMBOLS



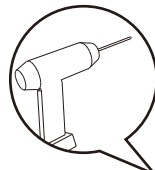
DIRECTION



NUMBER OF  
PERSON NEEDED

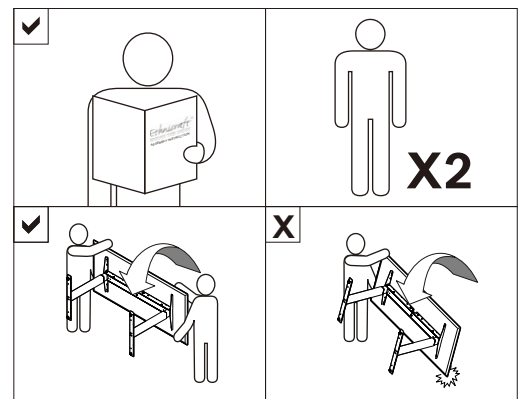


USE HAND



USE DRILLING MACHINE  
TO TIGHTEN

### NOTICE



## OAK BOK TABLE TOP - WITH CABLE MANAGEMENT ASSEMBLY INSTRUCTION FOR TABLE TOP INSTALLATION

### A. EXTEND LEG BASE

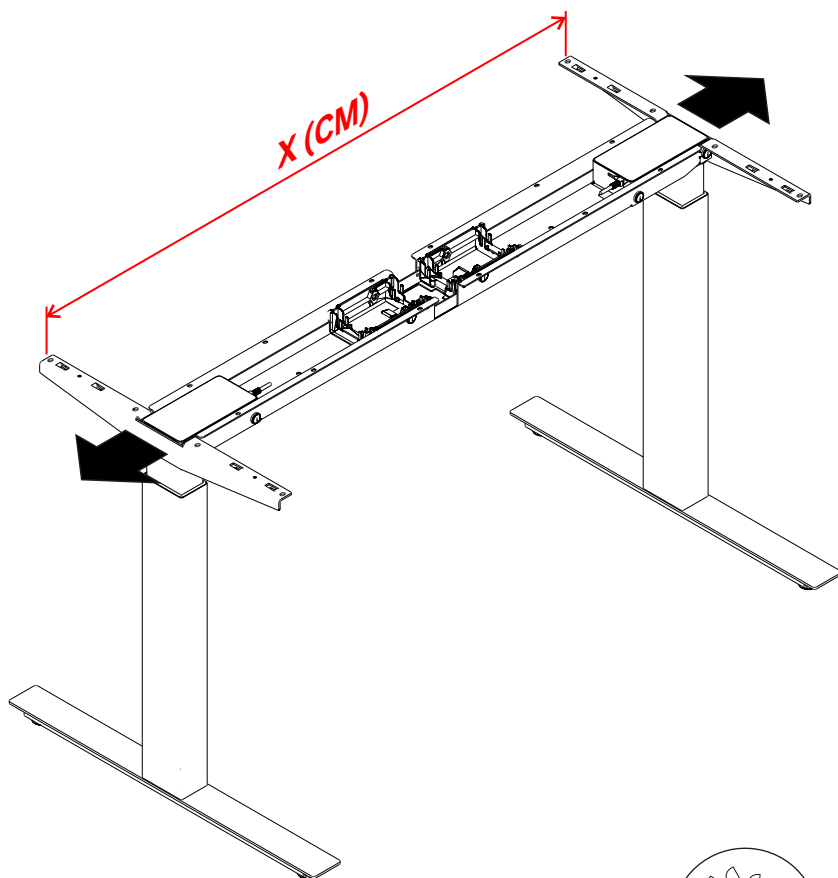
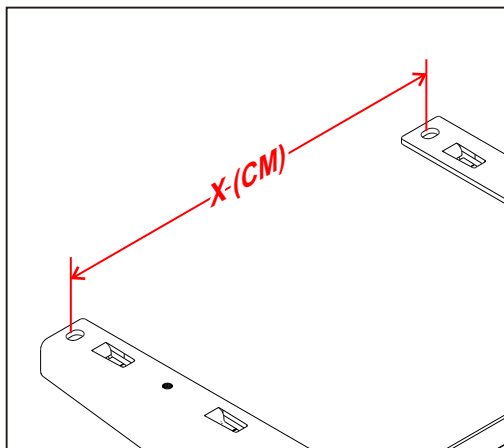
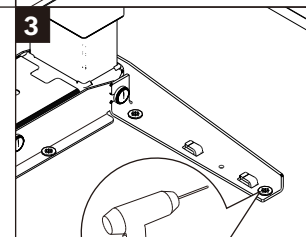
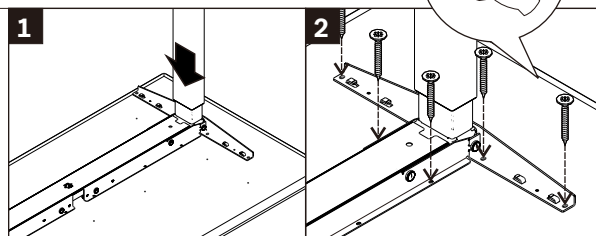
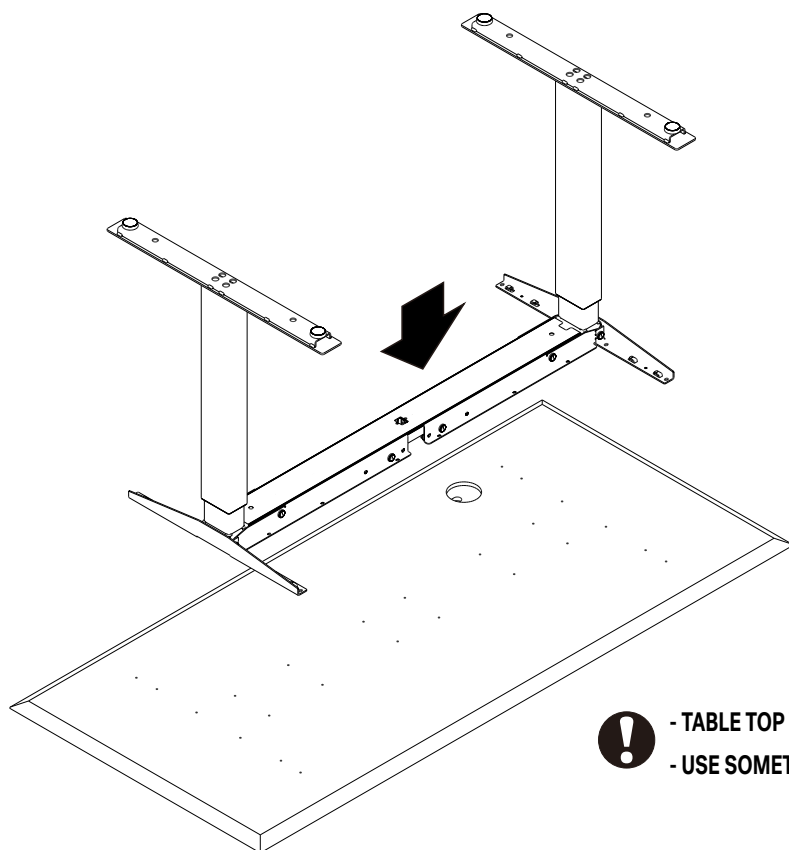


TABLE TOP SIZE (CM)	X (CM) (distance between pre-drilled holes)
140 x 72	112,4
160 x 80	121,4

### B. INSTALLING LEG BASE TO TABLE TOP

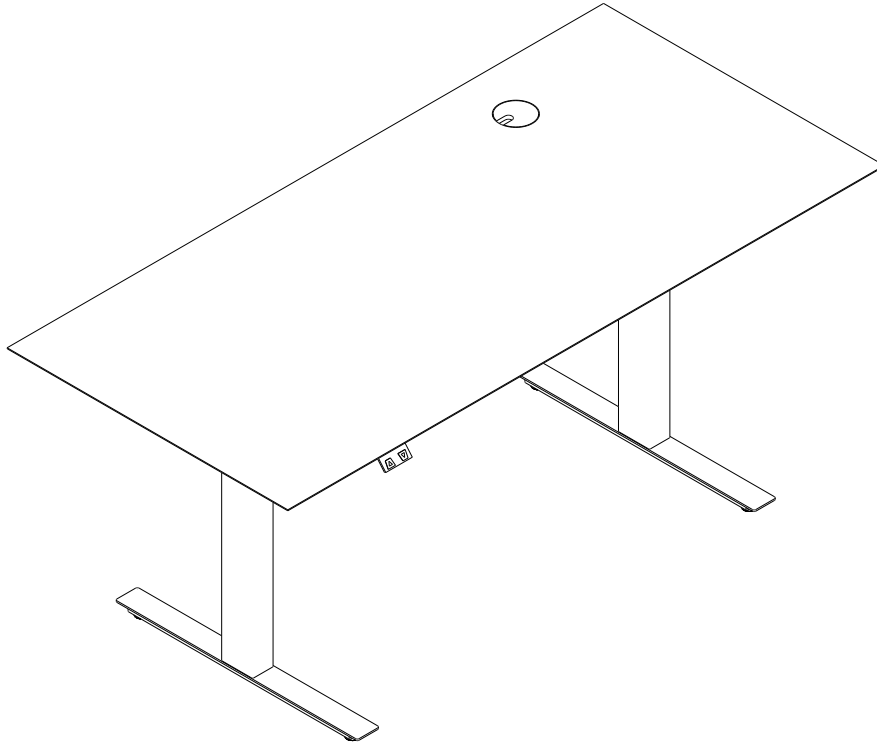


**!** TIGHTEN FULLY

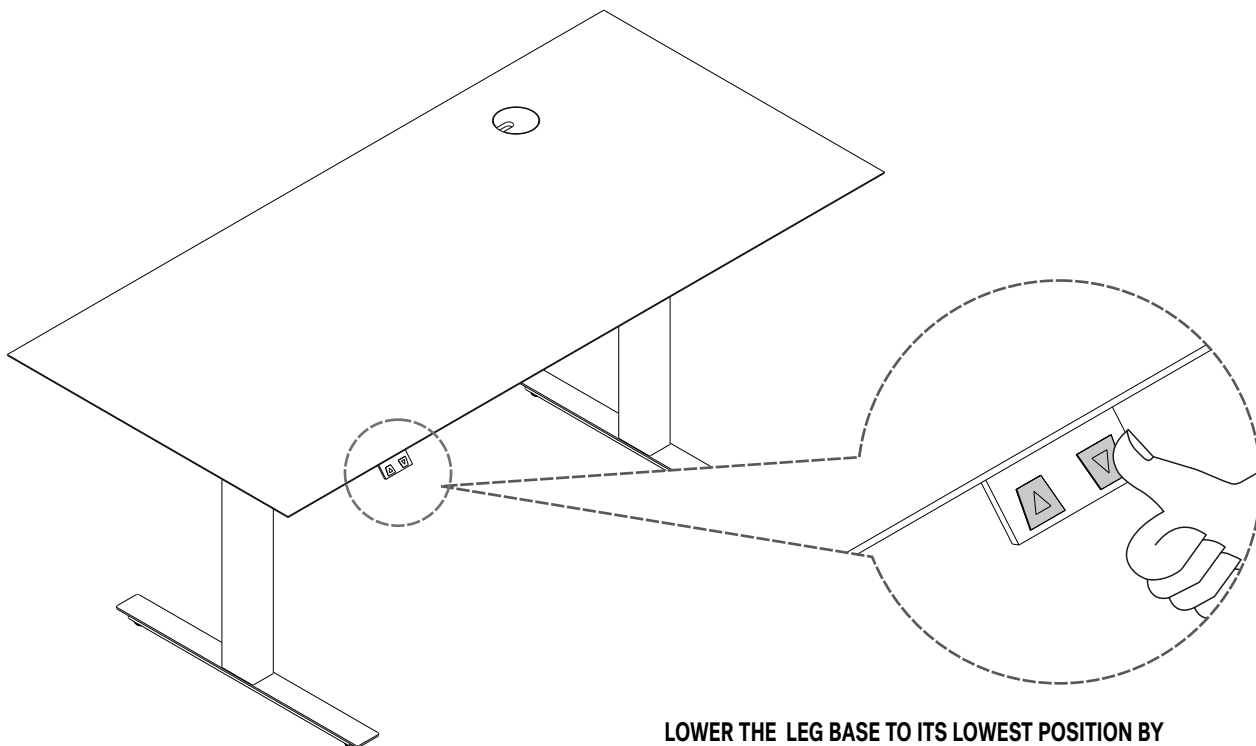
- !** - TABLE TOP WITH PRE-DRILLED HOLES
- !** - USE SOMETHING SOFT AS BASE TO PROTECT TABLE TOP FROM SCRATCHES

## OAK BOK TABLE TOP - WITH CABLE MANAGEMENT ASSEMBLY INSTRUCTION FOR TABLE TOP INSTALLATION

### C. FINISH



### D. HOW TO RESET THE LEG BASE



**LOWER THE LEG BASE TO ITS LOWEST POSITION BY PRESSING THE DOWN ARROW ON THE HAND CONTROL. RELEASE THE BUTTON. PRESS THE BUTTON AGAIN AND KEEP IT PRESSED FOR 10 SECONDS. THE RESET IS NOW CARRIED OUT AND THE LEG BASE IS READY TO USE.**