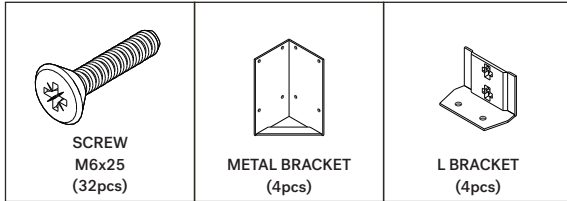
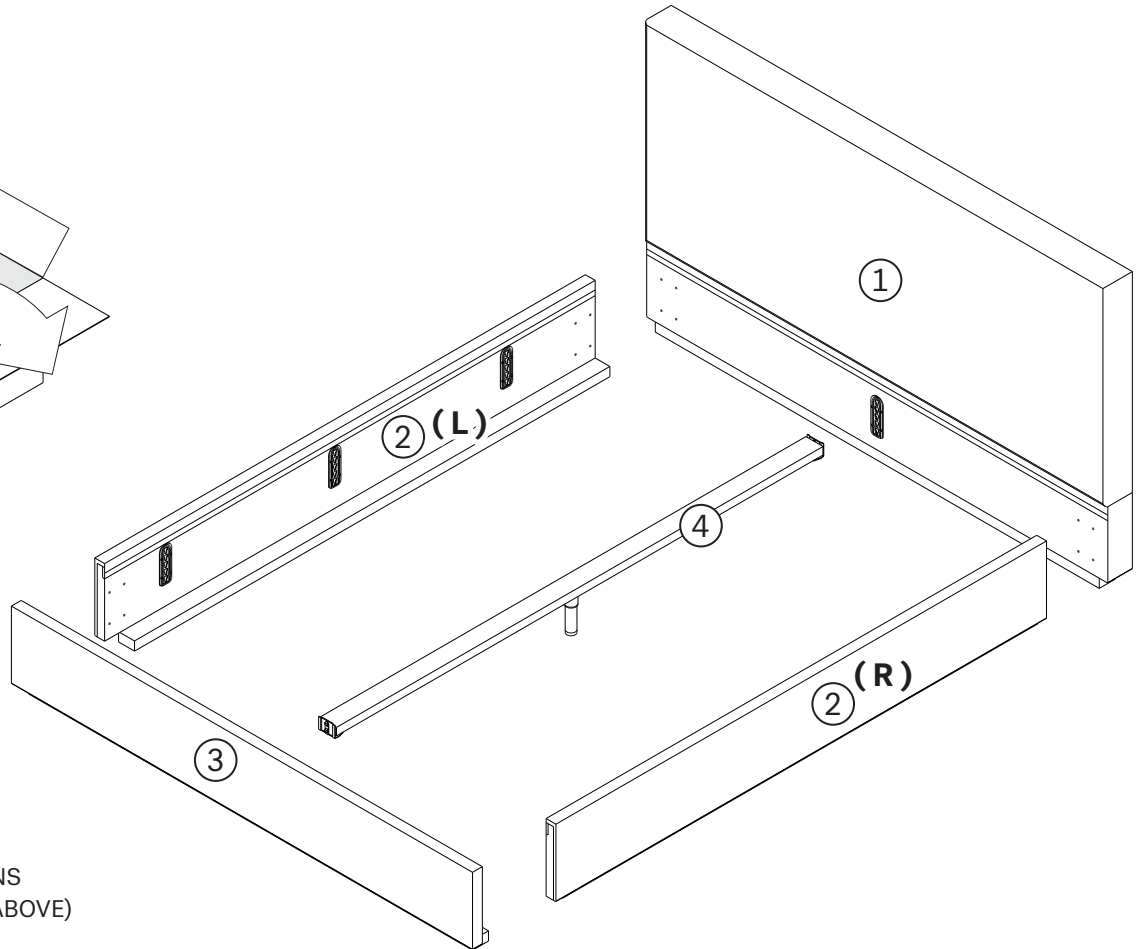
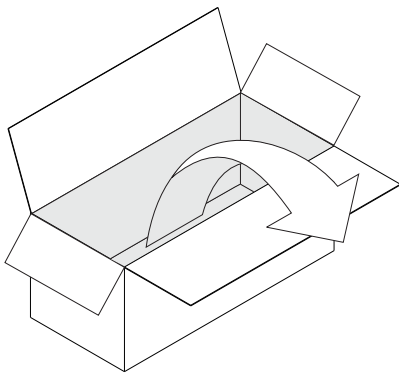


## REVIVE BED - WITHOUT SLATS ASSEMBLY INSTRUCTIONS FOR BED INSTALLATION

### HARDWARE ENCLOSED



### TOOL REQUIRED



### IN YOUR PACKAGE :

ASSEMBLY INSTRUCTIONS  
HARDWARE (AS LISTED ABOVE)

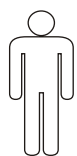
### PARTS TO BE INSTALLED

1. HEADBOARD (1 pc)
2. SIDERAIL (2 pcs)
3. FOOTBOARD (1 pc)
4. MIDDLE SUPPORT (1 pc)

### SYMBOLS



DIRECTION



NUMBER OF  
PERSONS NEEDED

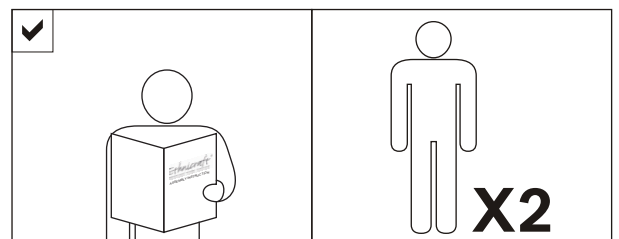


USE HAND



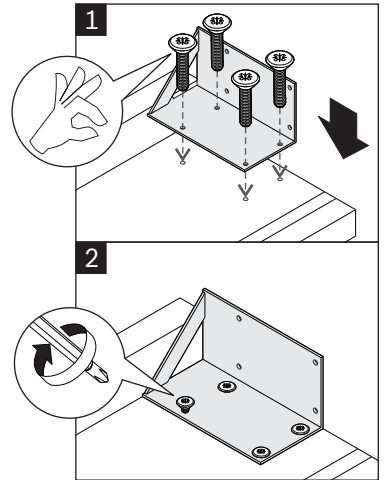
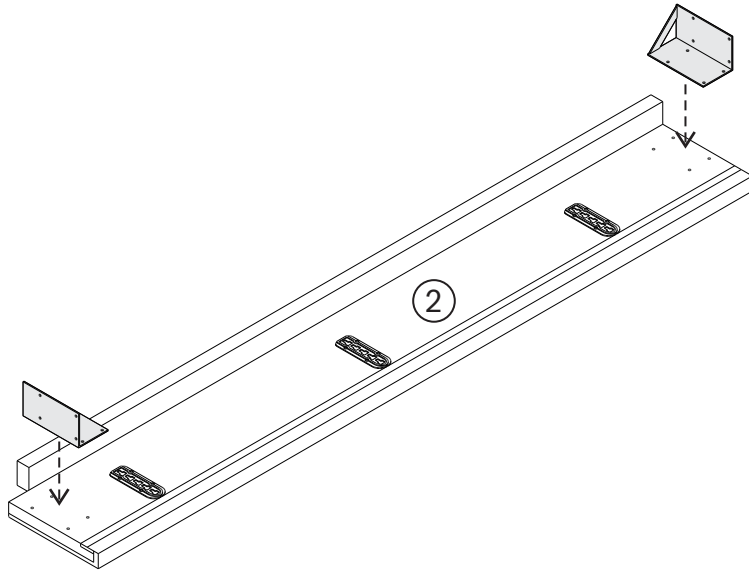
USE SCREWDRIVER  
TO TIGHTEN

### NOTICE



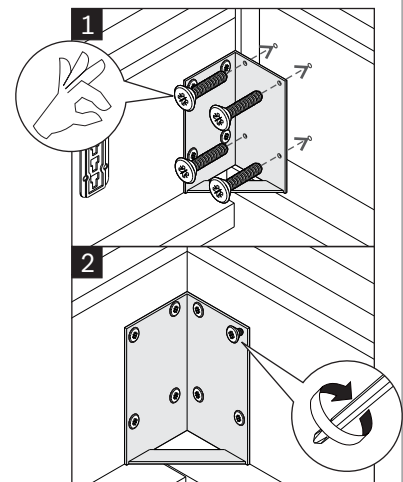
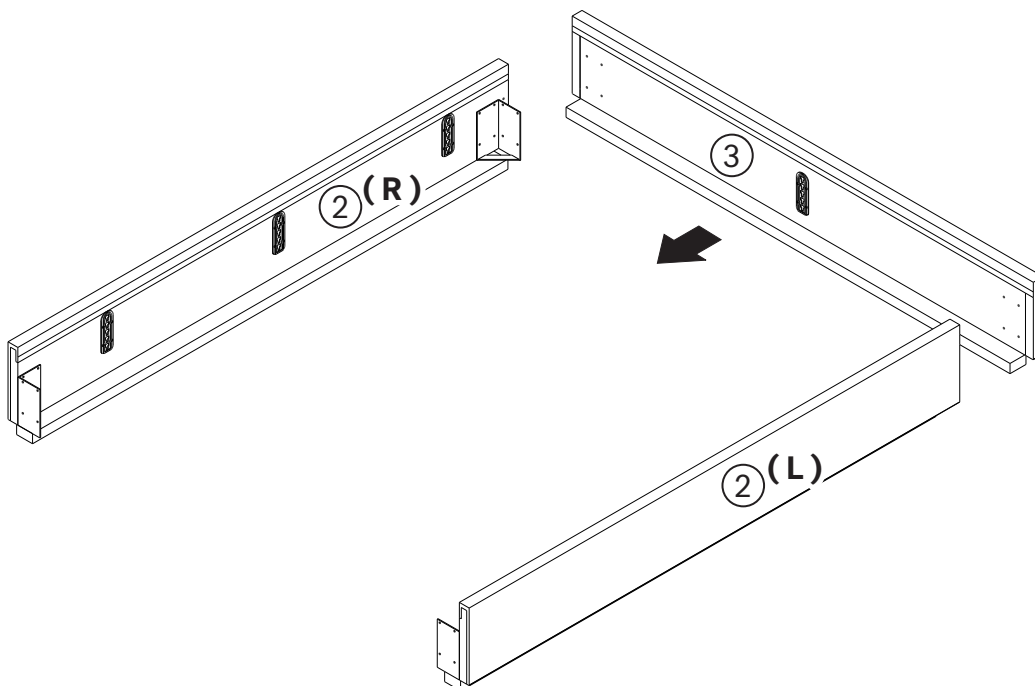
## REVIVE BED - WITHOUT SLATS ASSEMBLY INSTRUCTIONS FOR BED INSTALLATION

### A INSTALLING METAL BRACKET TO SIDERAIL



- USE METALBRACKET (4X)
- USE SCREW M6x25 (16X)
- TIGHTEN FULLY

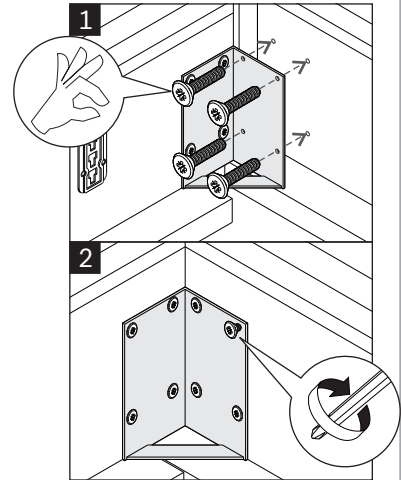
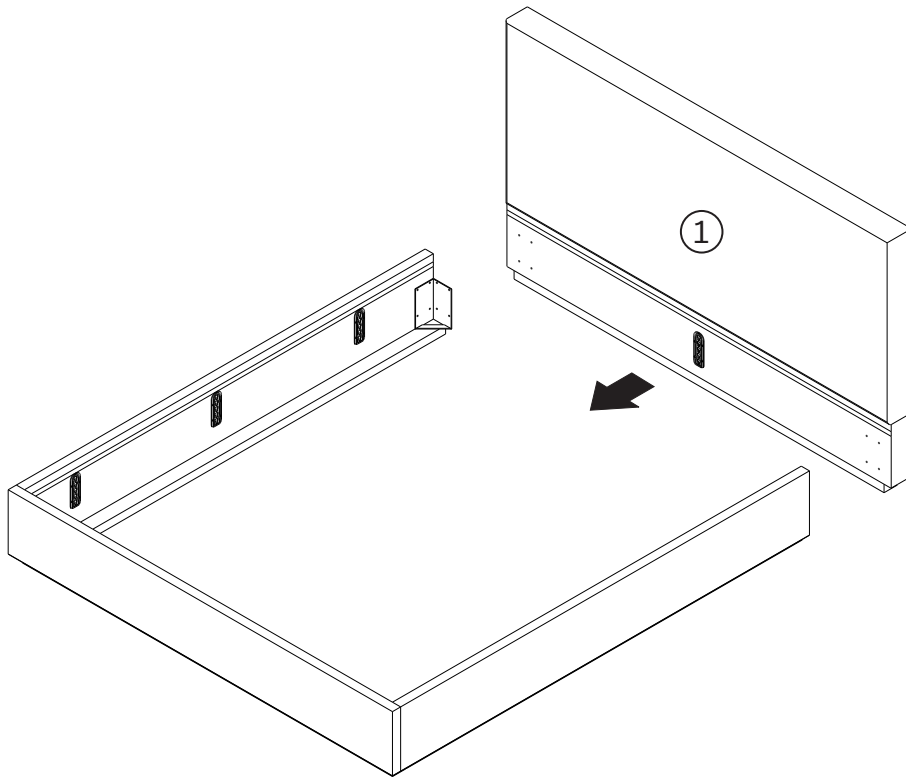
### B ATTACHING SIDERAIL TO FOOTBOARD



- USE SCREW M6x25 (8X)
- TIGHTEN FULLY

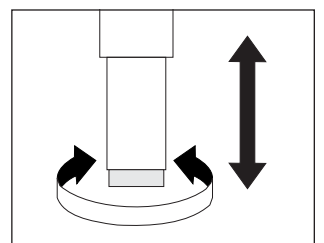
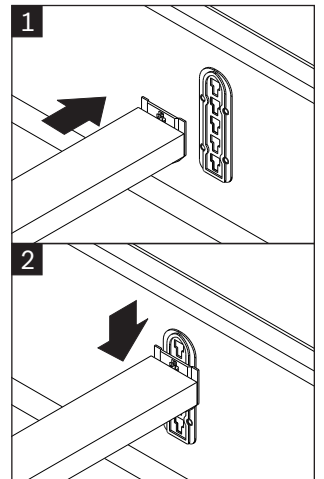
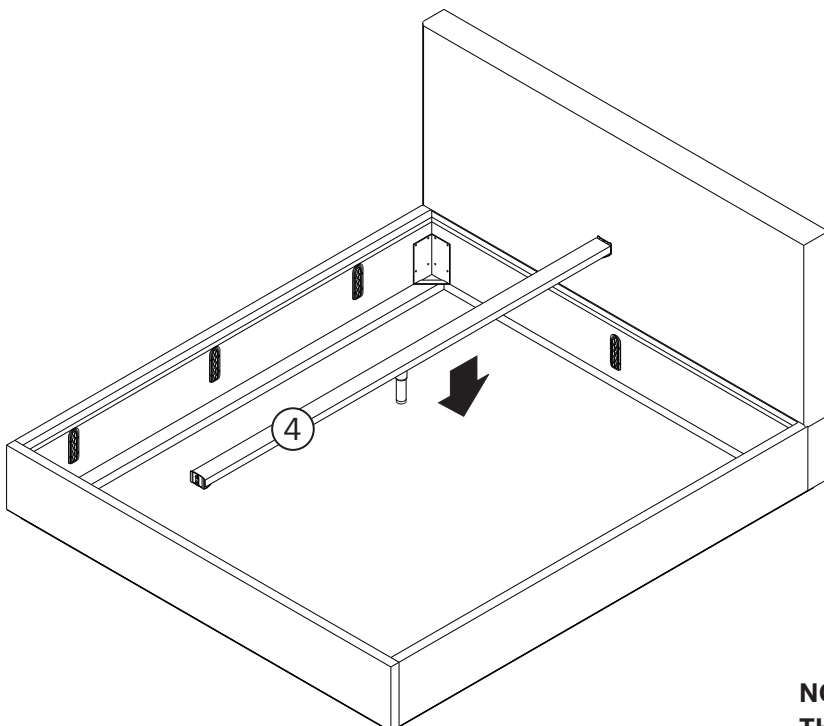
## REVIVE BED - WITHOUT SLATS ASSEMBLY INSTRUCTIONS FOR BED INSTALLATION

### C ATTACHING SIDERAIL TO HEADBOARD



- USE SCREW M6x25 (8X)
- TIGHTEN FULLY

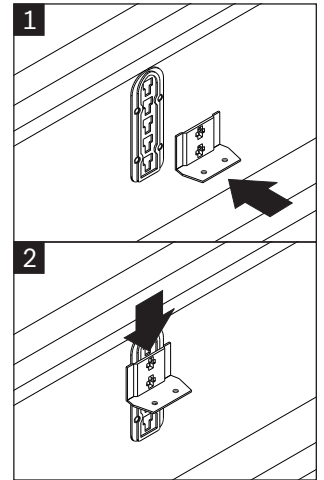
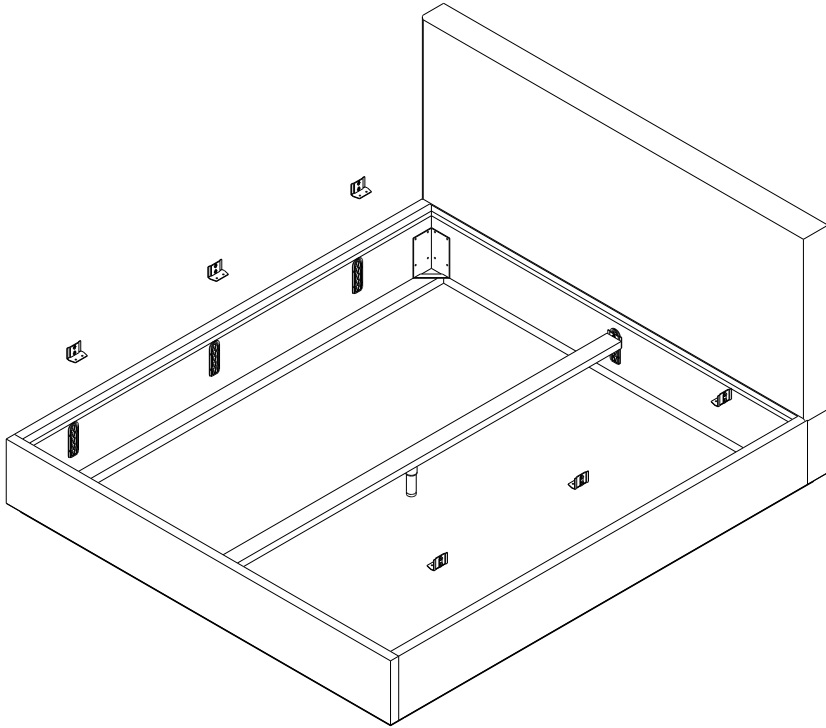
### D ATTACHING MIDDLE SUPPORT



**NOTE :**  
**THIS IS A COMPULSORY ACTION TO MAKE SURE  
CENTER LEG TOUCH THE GROUND!**

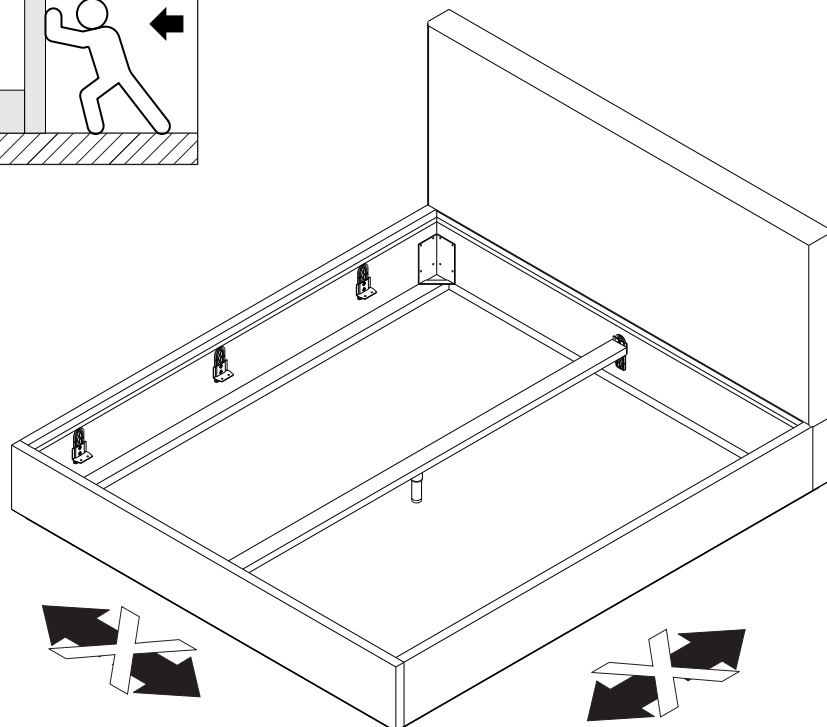
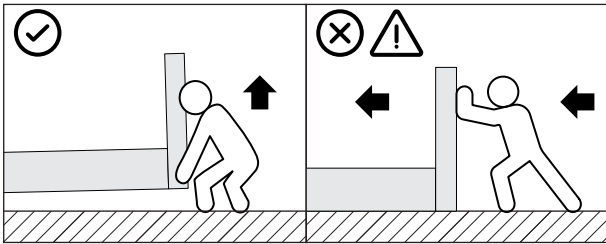
## REVIVE BED - WITHOUT SLATS ASSEMBLY INSTRUCTIONS FOR BED INSTALLATION

### E ATTACHING L BRACKET



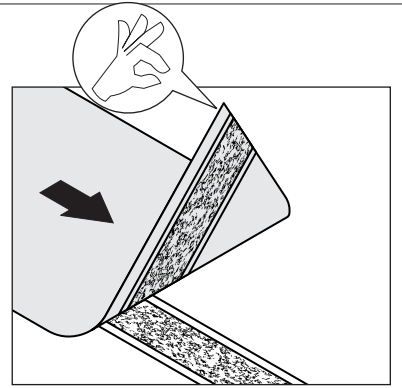
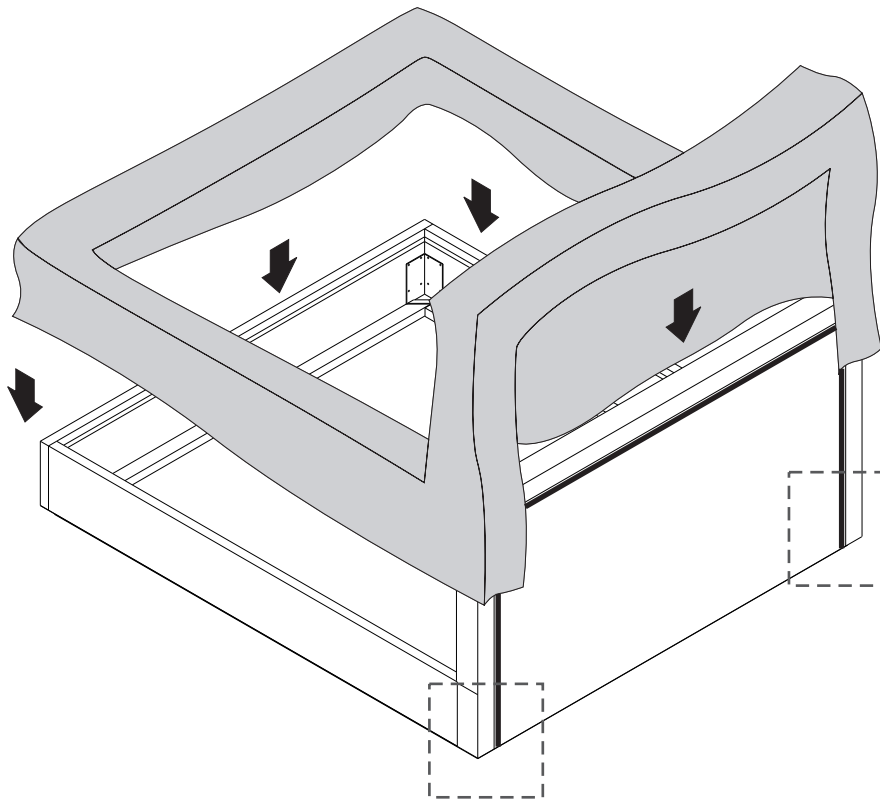
**! INSTALLING SLAT SUPPORTS AT THE SAME LEVEL**

### F FINISH



## REMOVABLE COVER OF REVIVE BED ASSEMBLY INSTRUCTIONS FOR COVER INSTALLATION

### INSTALLING COVER



### UNINSTALL COVER

