
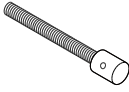
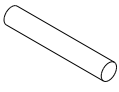
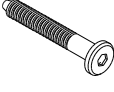

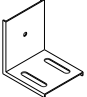

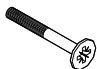




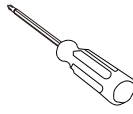
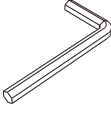
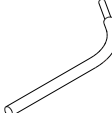
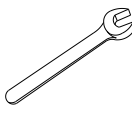


SPINDLE BED - QUEEN SIZE ASSEMBLY INSTRUCTION FOR BED INSTALLATION

HARDWARE ENCLOSED

 HALF MOON WASHER 4pcs	 BOLT M8x100 mm 4pcs	 DOWEL Ø12x50 mm 8pcs	 JCBC BOLT M6x70 mm 3pcs	 LONG NUT M6 2pcs
 L BRACKET 8pcs	 JCBC SCREW M6x6mm 8pcs	 JF SCREW M6x50mm 5pcs	 NUT M6 4pcs	
 SPRING WASHER M6 2pcs	 WASHER M6x18 2pcs	 WASHER M6 4pcs		

TOOLS

 SCREWDRIVER (Not included in package)	 L KEY (Included in package)
 BOLT KEY (Included in package)	 WRENCH (Included in package)

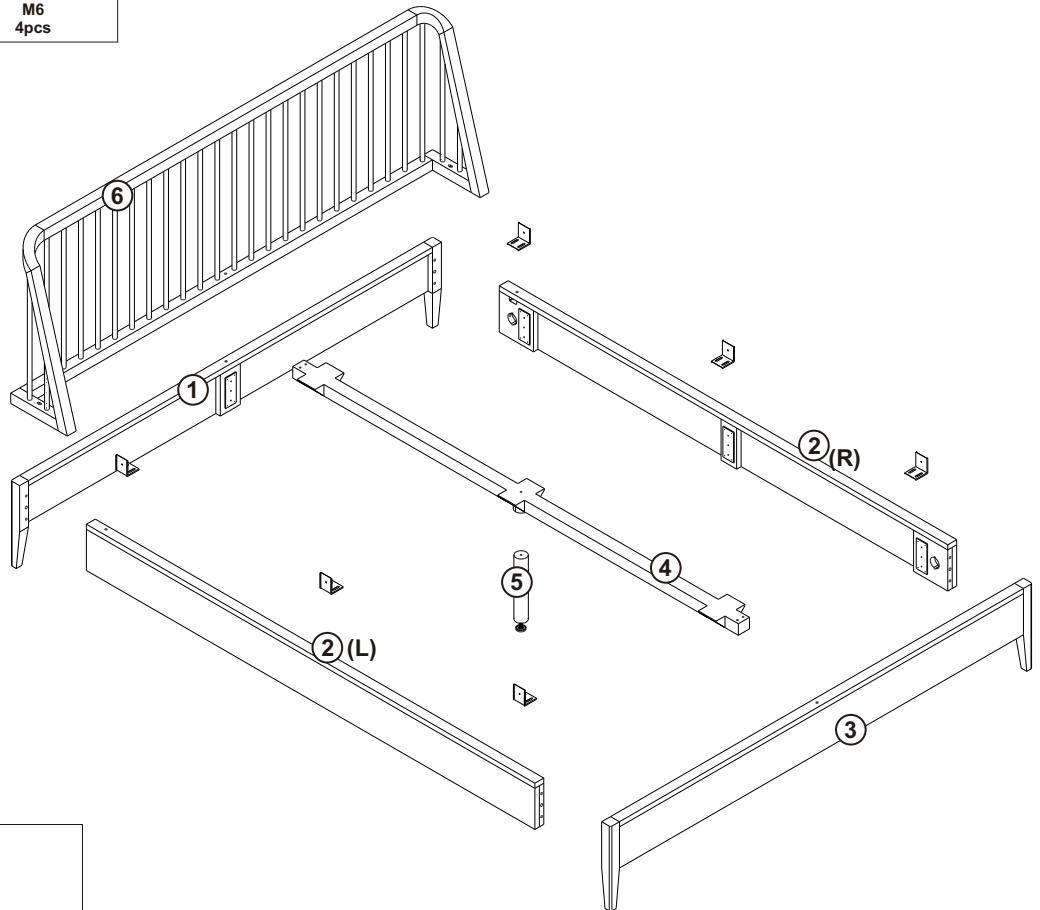
IN YOUR PACKAGE :

ASSEMBLY INSTRUCTION

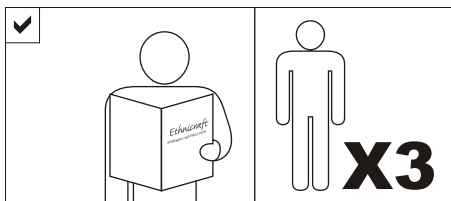
HARDWARE (AS LISTED ABOVE)

PARTS TO BE INSTALLED

- 1) HEADBOARD 1 piece
- 2) SIDERAIL 2 pieces
- 3) FOOTBOARD 1 piece
- 4) CENTER SUPPORT 1 piece
- 5) CENTER LEG 1 piece
- 6) HEADBOARD PANEL 1piece



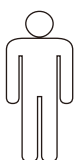
NOTICE



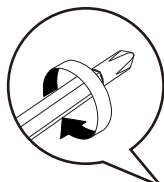
SYMBOLS



DIRECTION



NUMBER OF
PERSONS NEEDED



USE SCREWDRIVER
TO TIGHTEN



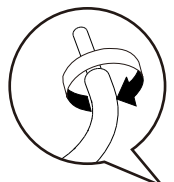
USE WRENCH
TO TIGHTEN



USE L KEY
TO TIGHTEN



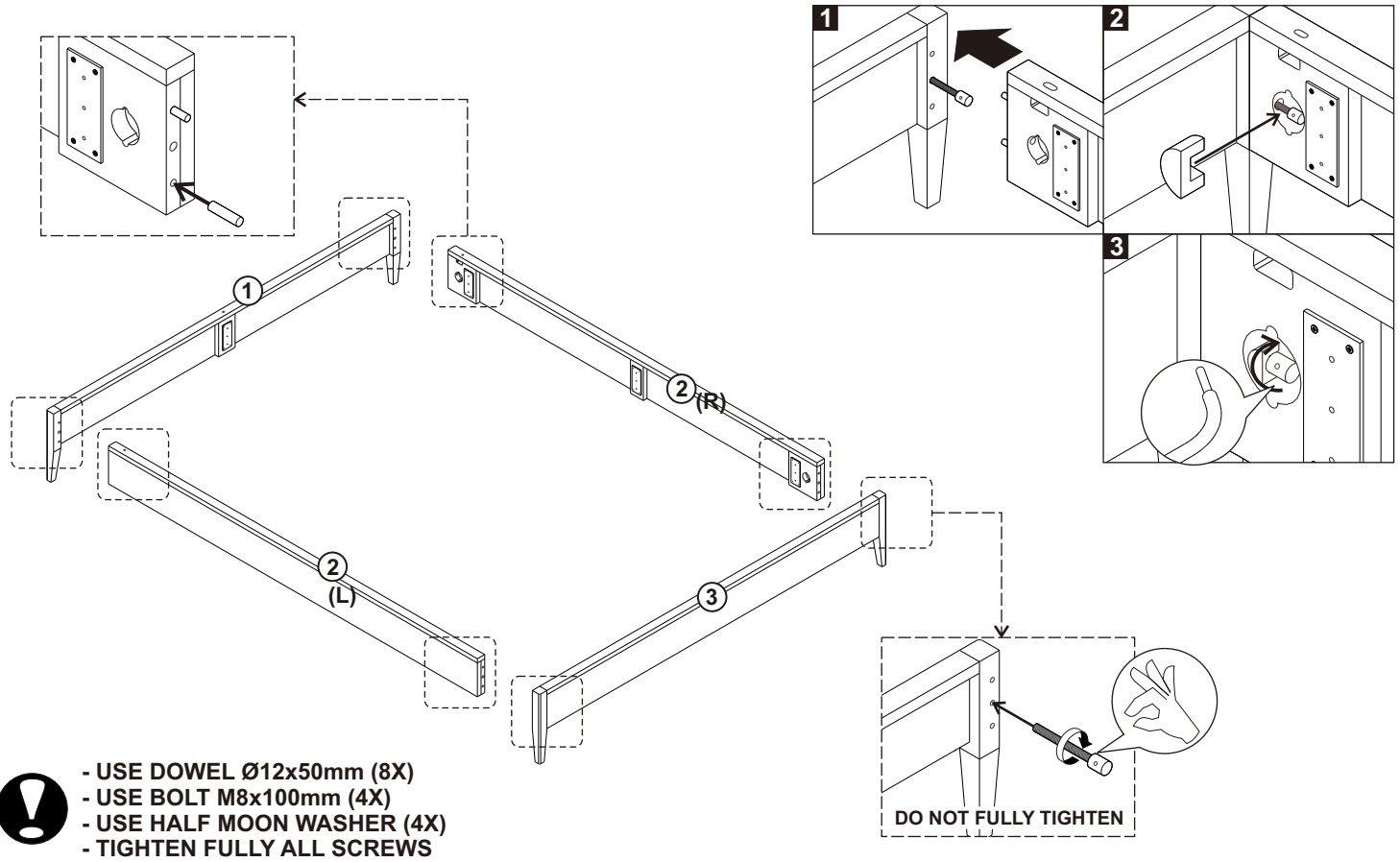
USE HAND



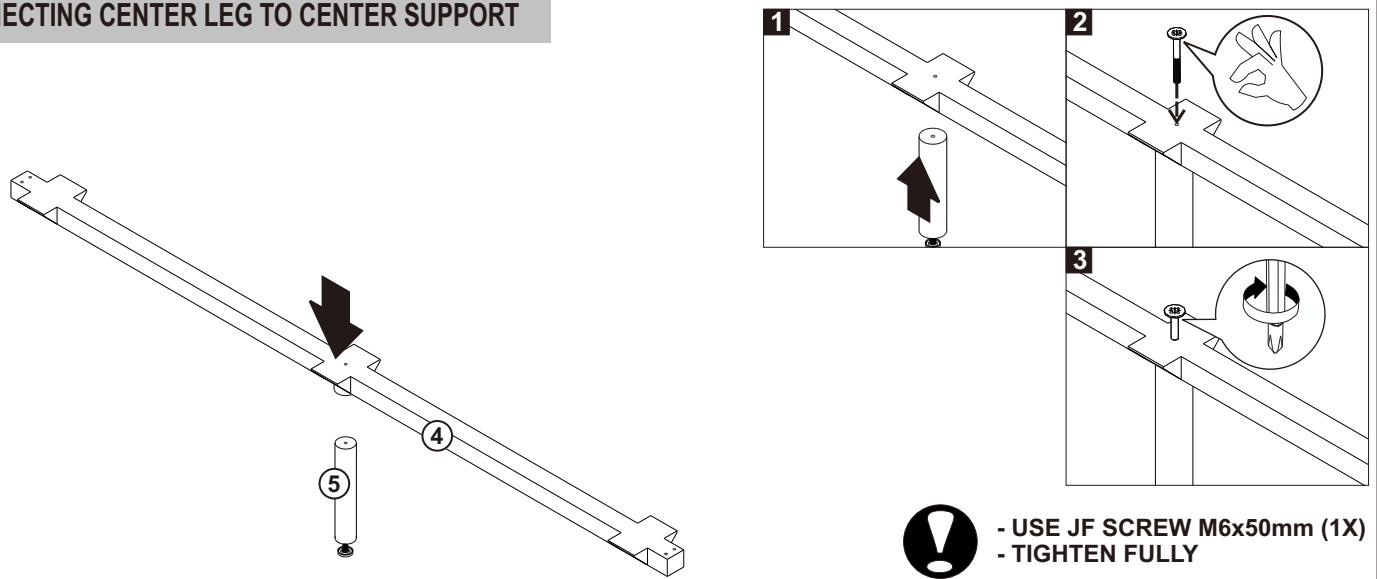
USE BOLT KEY
TO TIGHTEN

SPINDLE BED - QUEEN SIZE ASSEMBLY INSTRUCTION FOR BED INSTALLATION

A. CONNECTING SIDERAIL-HEADBOARD-FOOTBOARD

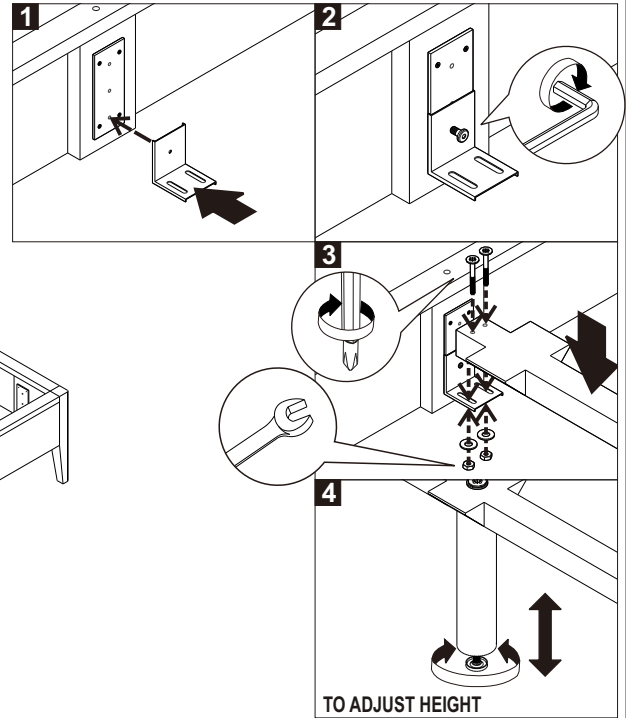
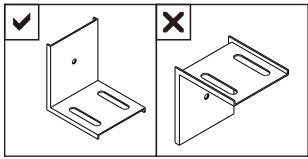
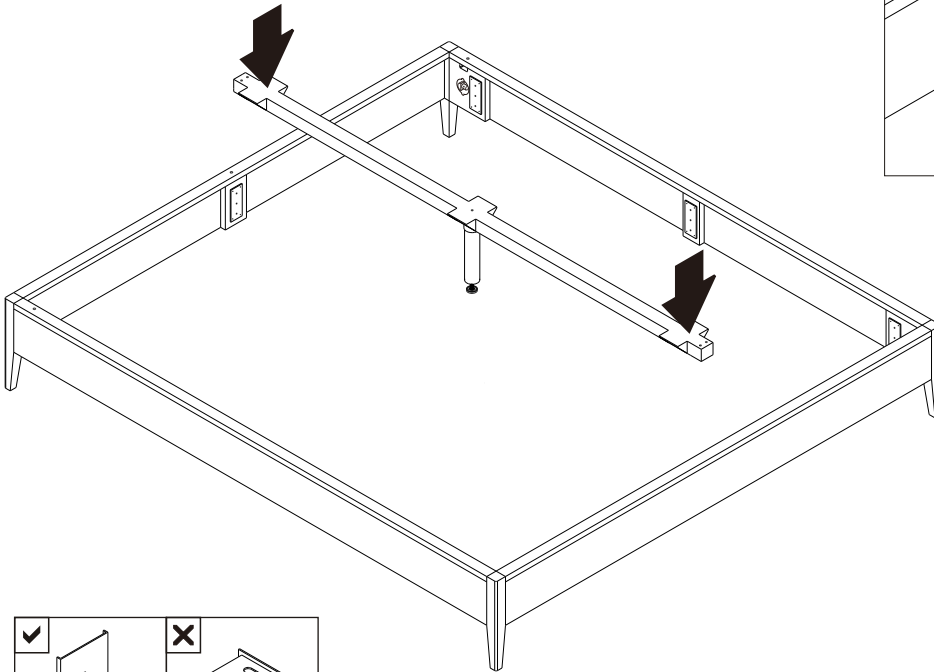


B. CONNECTING CENTER LEG TO CENTER SUPPORT



SPINDLE BED - QUEEN SIZE ASSEMBLY INSTRUCTION FOR BED INSTALLATION

C. INSTALLING CENTER SUPPORT

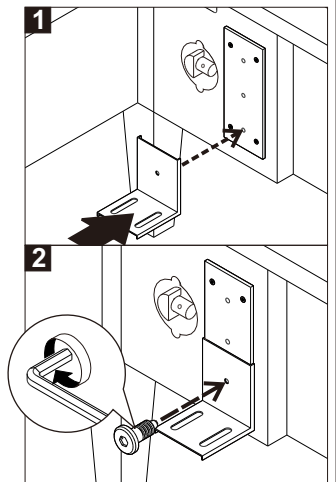
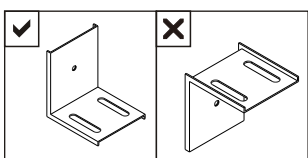
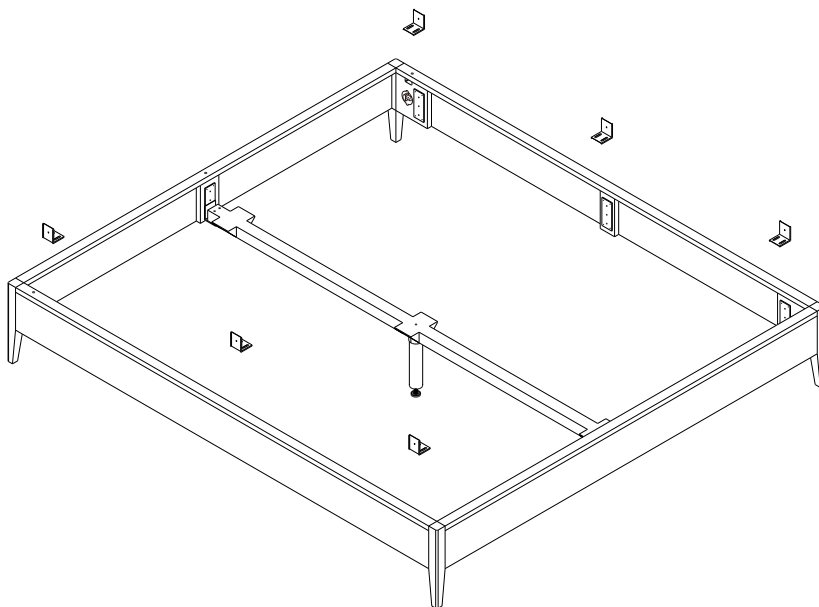


TO ADJUST HEIGHT



- USE JCBC SCREW M6x6mm (2X)
- USE JF SCREW M6x50mm (4X)
- USE WASHER M6 (4X)
- USE NUT M6 (4X)
- TIGHTEN FULLY ALL SCREWS

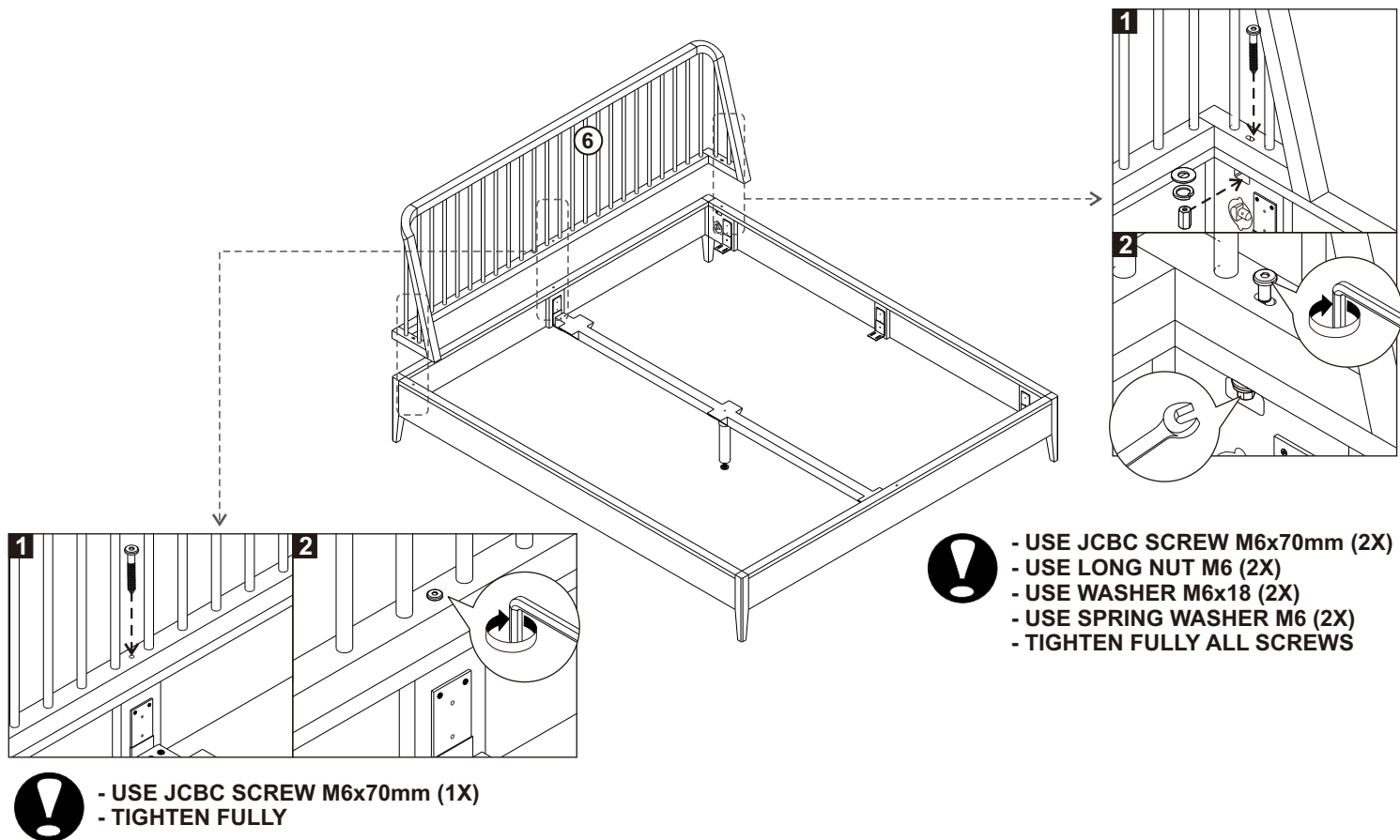
D. INSTALLING L BRACKET



- USE JCBC SCREW M6x6mm (6X)
- TIGHTEN FULLY ALL SCREWS
- INSTALLING L BRACKET AT THE SAME LEVEL WITH CENTER SUPPORT

SPINDLE BED - QUEEN SIZE ASSEMBLY INSTRUCTION FOR BED INSTALLATION

E. INSTALLING HEADBOARD PANEL



F. FINISH

