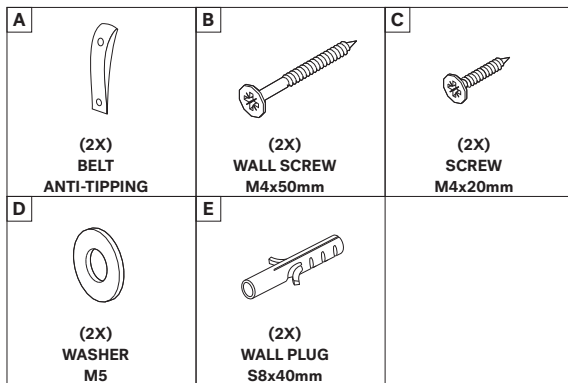


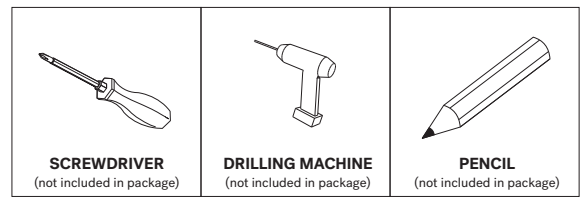
# Ethnicraft

## ASSEMBLY INSTRUCTION FOR ANTI-TIPPING INSTALLATION

### HARDWARE ENCLOSED



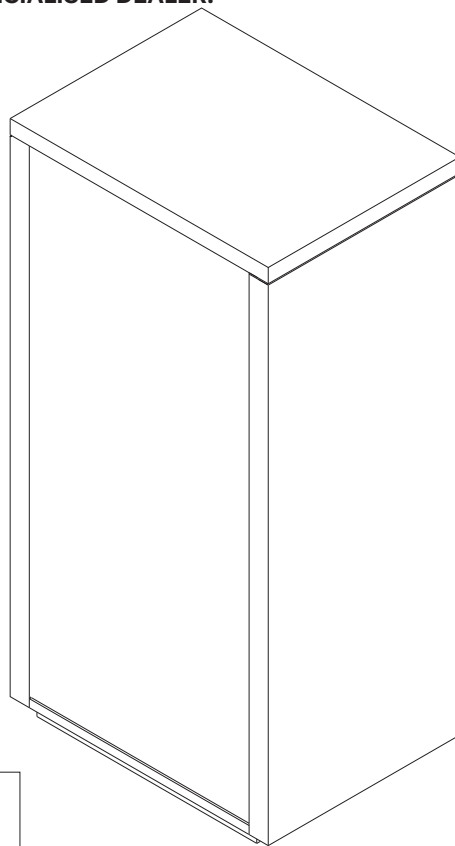
### TOOLS



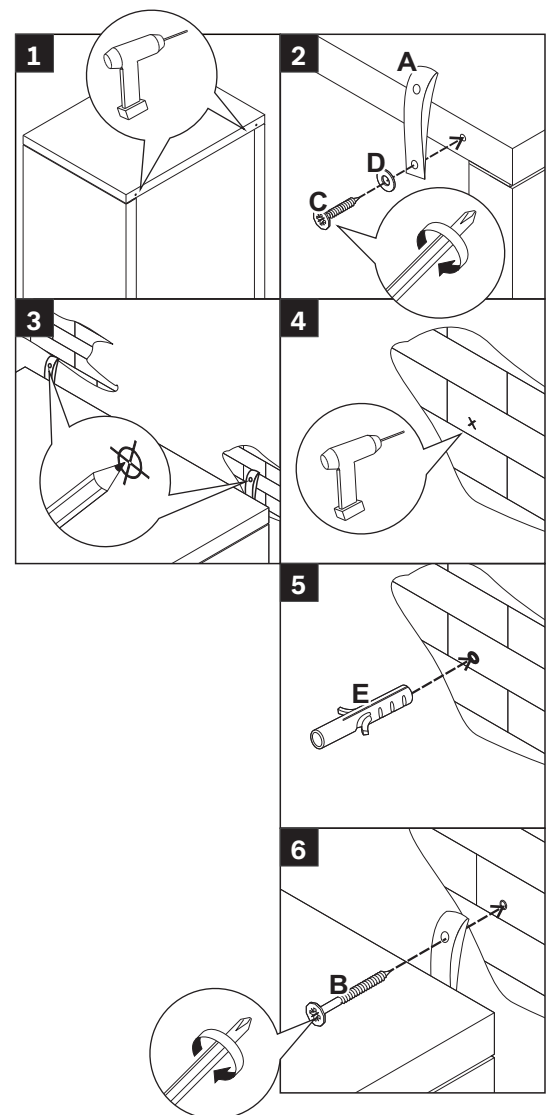
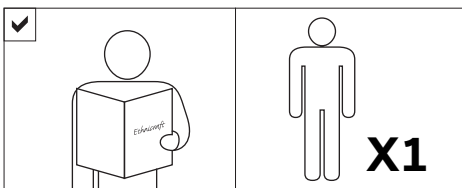
### INSTALLING ANTI-TIPPING SYSTEM



AS WALL MATERIALS VARY,  
THE SCREW INCLUDED ARE FOR BRICK WALL.  
FOR ADVICE ON SUITABLE SCREW SYSTEMS,  
CONTACT YOUR LOCAL SPECIALISED DEALER.



### NOTICE



### INSTRUCTION

1. Use a drilling machine to drill a hole in the top back frame of the item.
2. Install the anti-tipping belts (A), washers(D) with 4x20 mm screws (C) into the pre-drilled hole on the top back frame of the item.
3. Using a 1/4" diameter drill bit, drill the wall at the same level as the anti-tipping belts (A) on the item. Install the wall plug (E) into the holes.
4. Connect the anti-tipping belt (A) with the wall screw (B) into the wall plug (E).