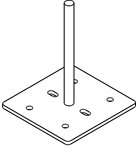
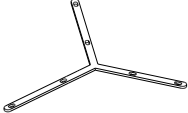
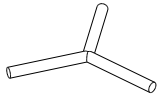
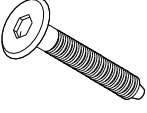
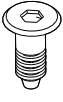


## 10513 GEOMETRIC DINING TABLE - VARNISHED TEAK - ROUND ASSEMBLY INSTRUCTIONS FOR DINING TABLE INSTALLATION

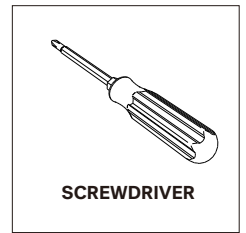
### HARDWARE ENCLOSED

 <p><b>METAL PLATE</b> 3pcs</p>	 <p><b>METAL SUPPORT</b> 1pc</p>	 <p><b>METAL CONNECTOR</b> 1pc</p>
 <p><b>SCREW</b> M6x40mm 6pcs</p>	 <p><b>SCREW</b> M6x20mm 18pcs</p>	

### TOOL ENCLOSED



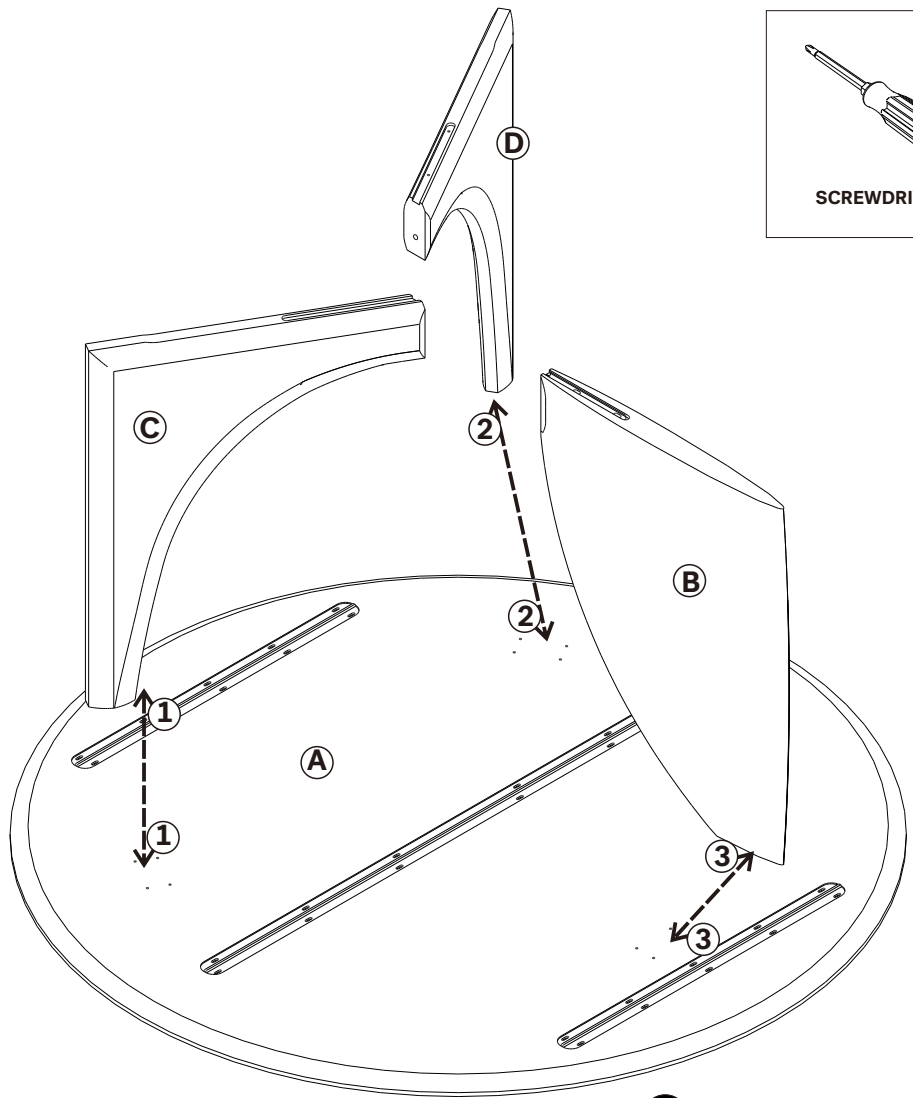
### TOOL REQUIRED



**IN YOUR PACKAGE :**  
ASSEMBLY INSTRUCTIONS  
HARDWARE (AS LISTED ABOVE)

### PARTS :

- A. TABLE TOP
- B. LEG PIECE 1
- C. LEG PIECE 2
- D. LEG PIECE 3

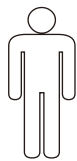


**! LEGS ARE SPECIFIC**

### SYMBOLS



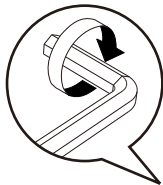
DIRECTION



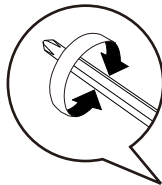
NUMBER OF PERSONS NEEDED



USE HAND

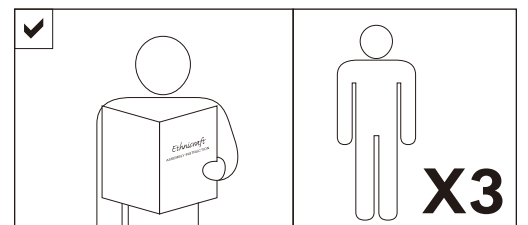


USE ALLEN KEY TO TIGHTEN



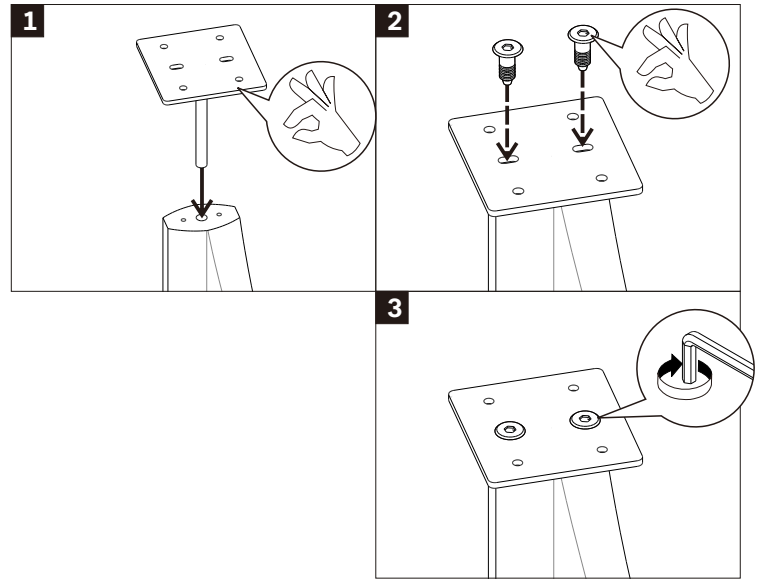
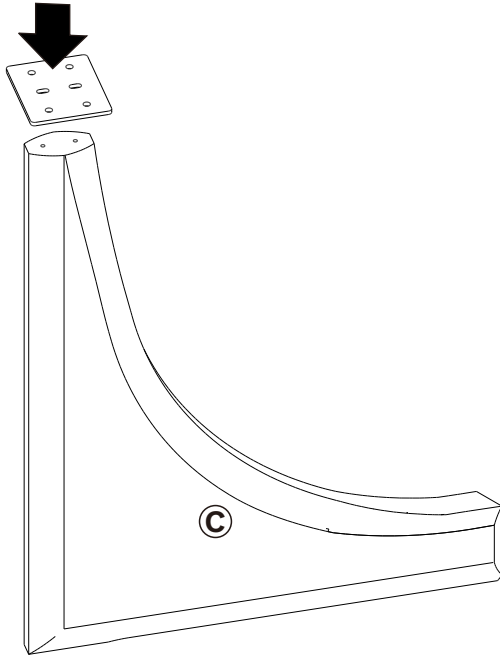
USE SCREWDRIVER TO ADJUST

### NOTICE



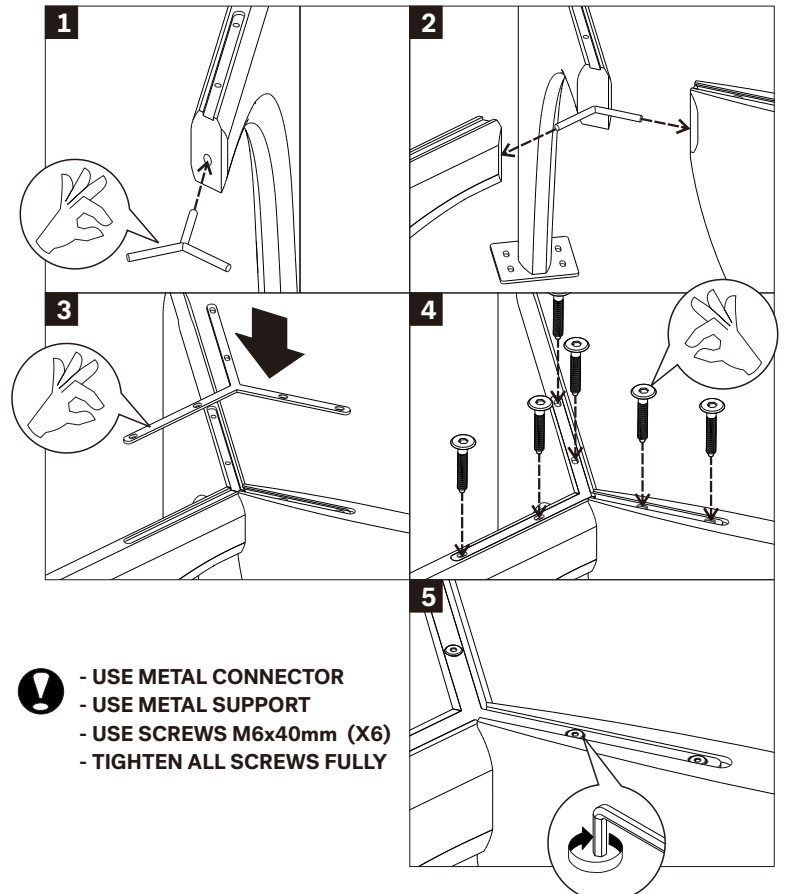
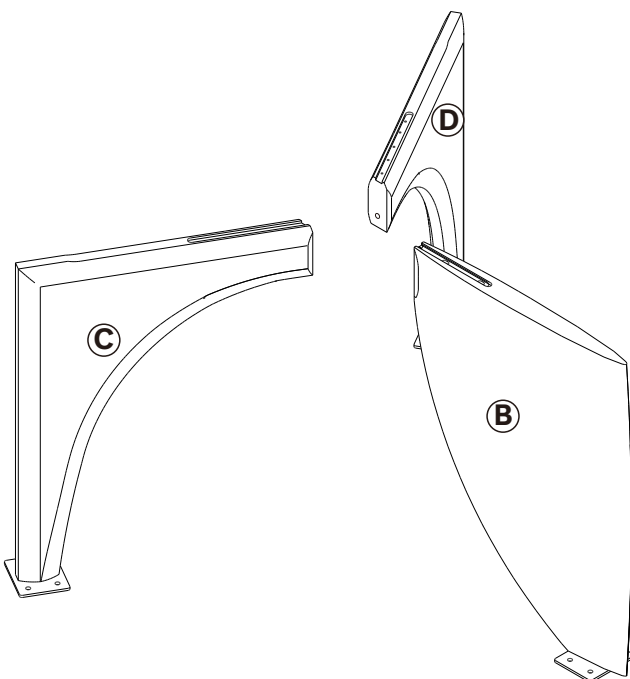
## 10513 GEOMETRIC DINING TABLE - VARNISHED TEAK - ROUND ASSEMBLY INSTRUCTIONS FOR DINING TABLE INSTALLATION

### A. INSTALLING METAL PLATES ONTO LEG PIECES



- ! - USE METAL PLATES (X3)
- ! - USE SCREWS M6x20mm (X6)
- TIGHTEN ALL SCREWS FULLY
- COMPLETE THESE STEPS FOR ALL LEG PIECES

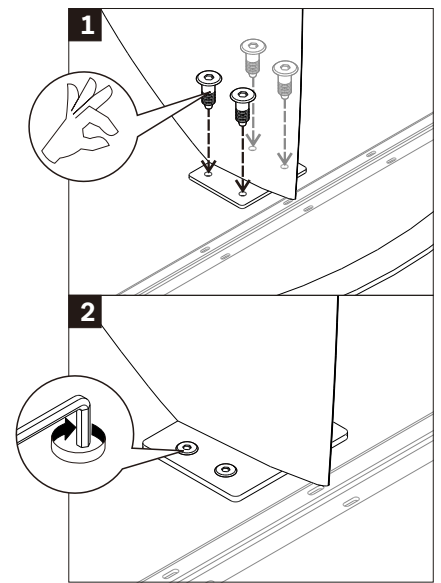
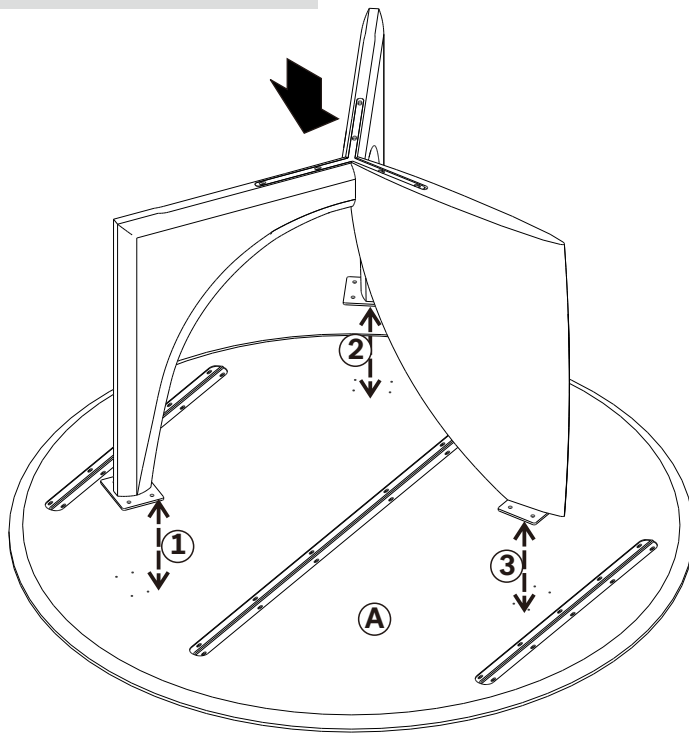
### B. ASSEMBLING LEG PIECES WITH METAL SUPPORT



- ! - USE METAL CONNECTOR
- ! - USE METAL SUPPORT
- ! - USE SCREWS M6x40mm (X6)
- TIGHTEN ALL SCREWS FULLY

## 10513 GEOMETRIC DINING TABLE - VARNISHED TEAK - ROUND ASSEMBLY INSTRUCTIONS FOR DINING TABLE INSTALLATION

### C. INSTALLING LEGS ON TABLE TOP



- ! - USE SCREWS M6x20mm (X12)
- ! - TIGHTEN ALL SCREWS FULLY

- ! - LEGS ARE SPECIFIC, PLEASE REFER TO THE CODE AFFIXED ON THE LEGS & TABLE TOP
- ! - PLACE LEGS ON TABLE TOP USING 3 PERSONS

### D. FINISH

