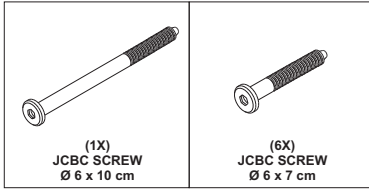


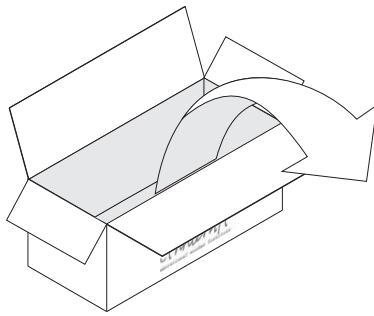
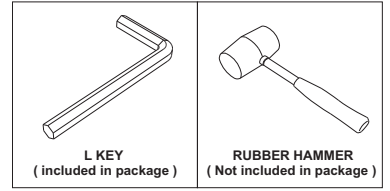
CIRCLE DINING TABLE

ASSEMBLY INSTRUCTION FOR DINING TABLE INSTALLATION

HARDWARES



TOOLS

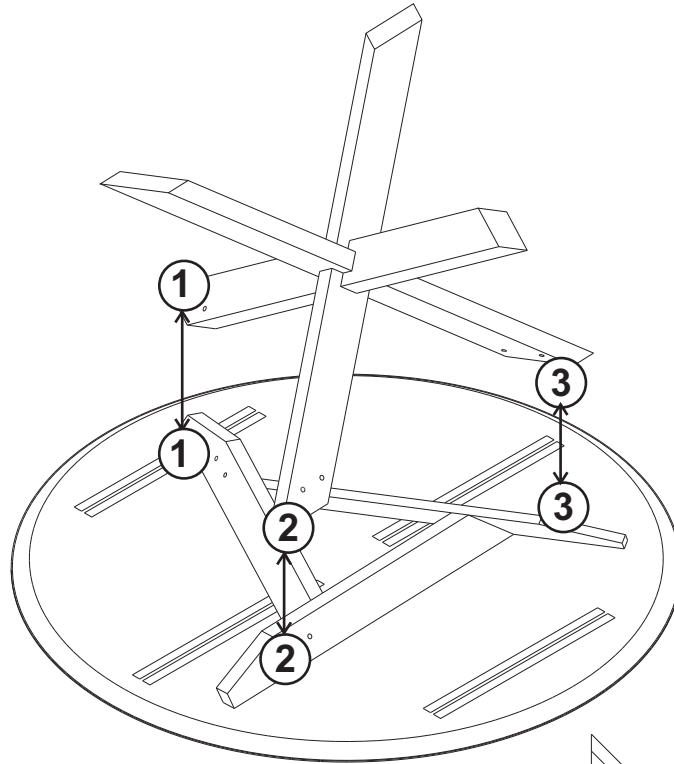


IN YOUR PACKAGE :

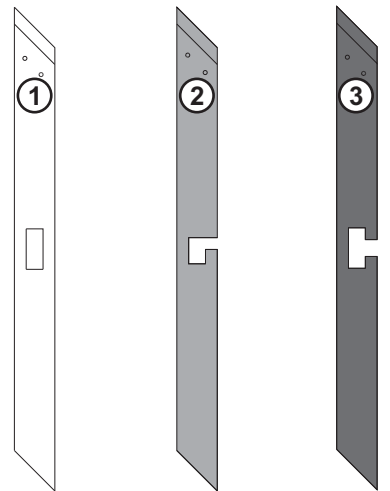
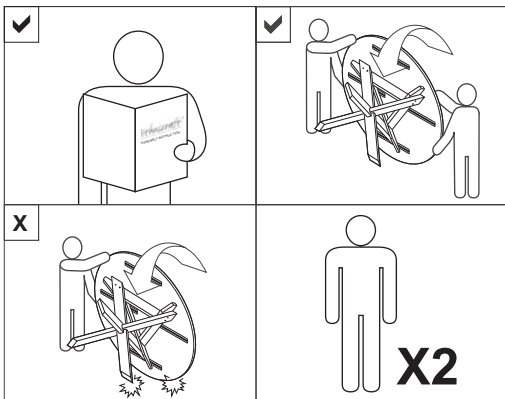
ASSEMBLY INSTRUCTION
HARDWARE (AS LISTED ABOVE)

PARTS TO BE INSTALLED

1. TOP PANEL 1pc
2. LEG 1 set



NOTICE

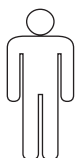


 - ALWAYS REFER TO HOLE POSITION & STICKER

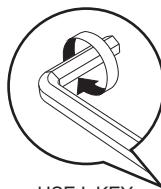
SYMBOLS



DIRECTION



NUMBER OF
PERSONS NEEDED



USE L KEY
TO TIGHTEN



USE RUBBER
HAMMER

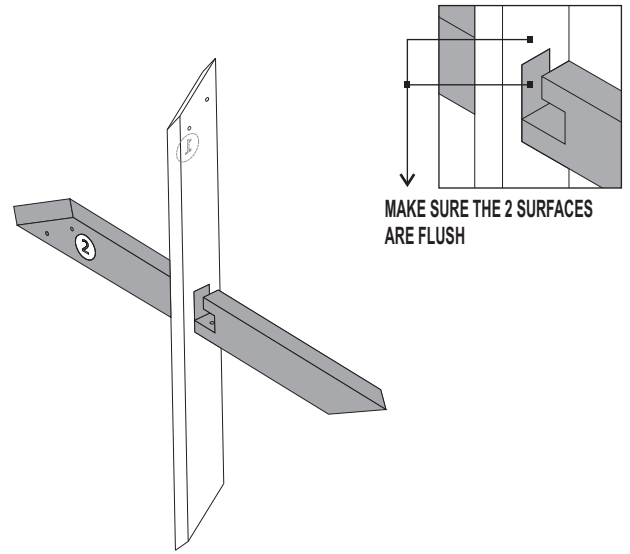
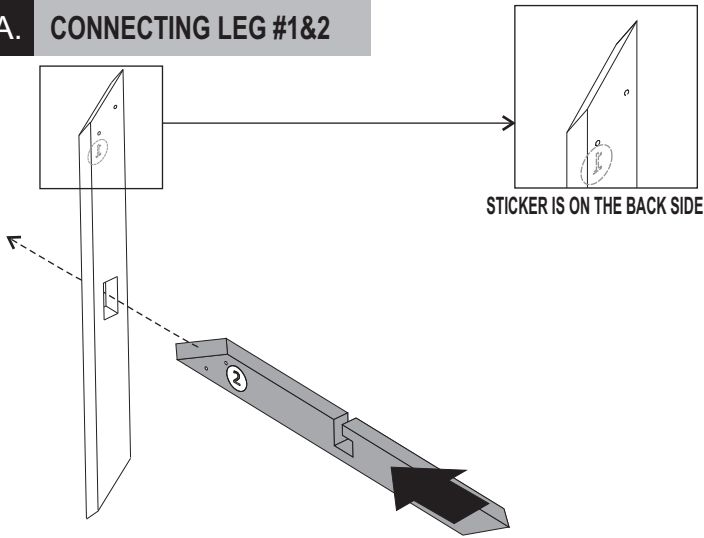


USE HAND

CIRCLE DINING TABLE

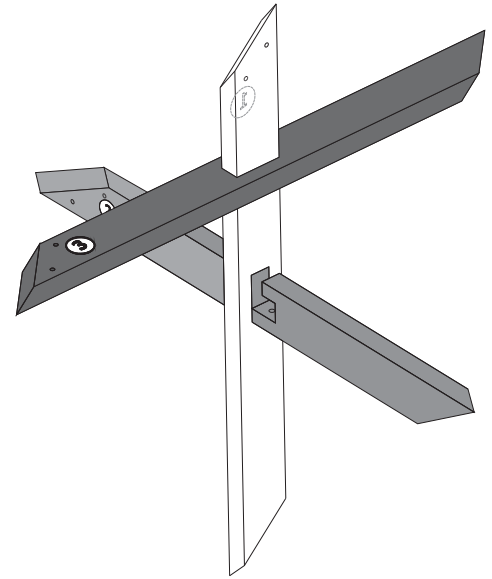
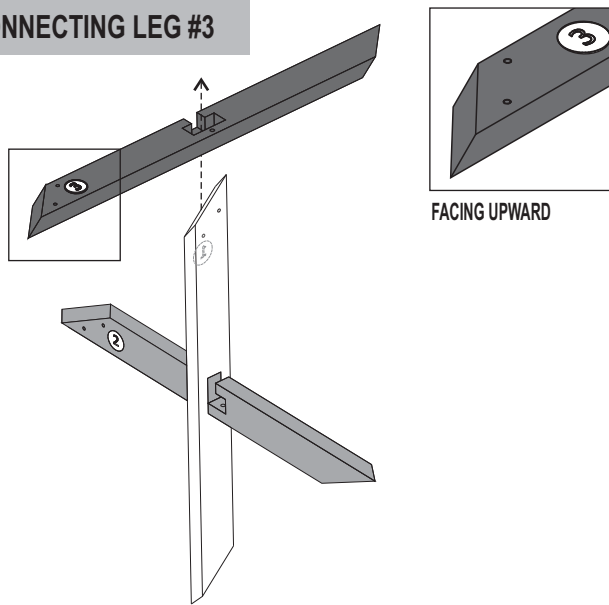
ASSEMBLY INSTRUCTION FOR DINING TABLE INSTALLATION

A. CONNECTING LEG #1&2

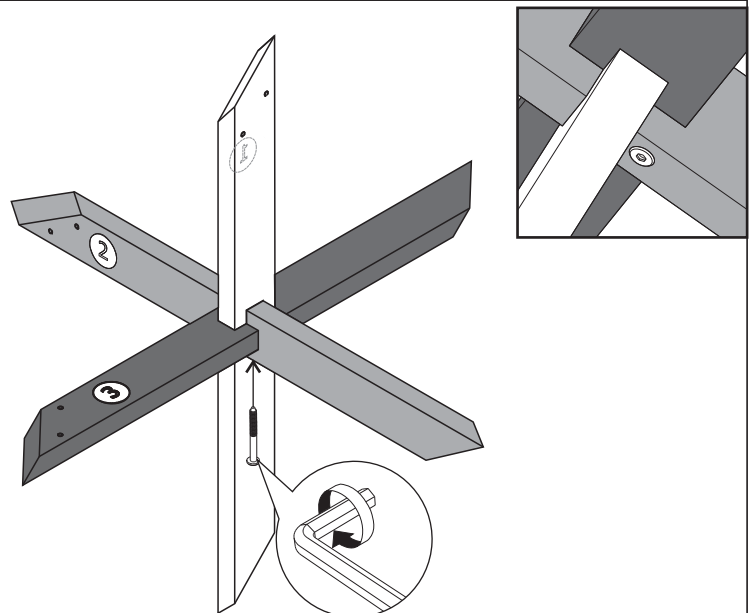
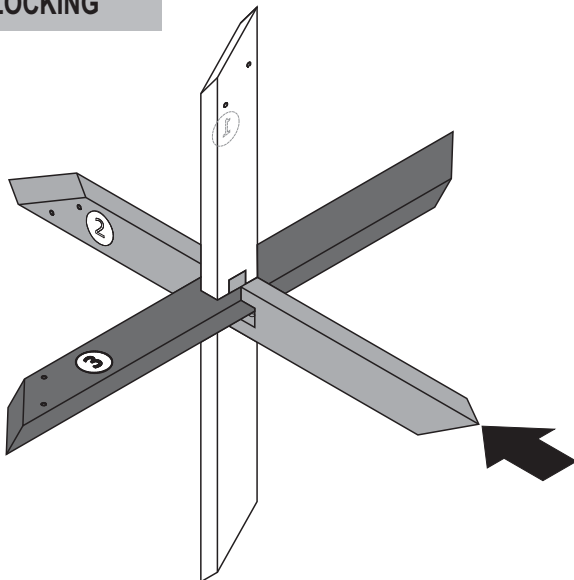


⚠ - ALWAYS REFER TO HOLE POSITION & STICKER

B. CONNECTING LEG #3

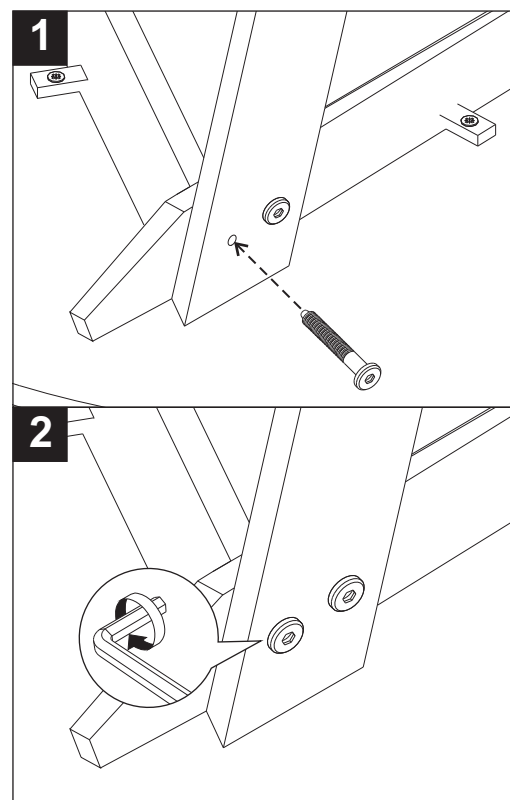
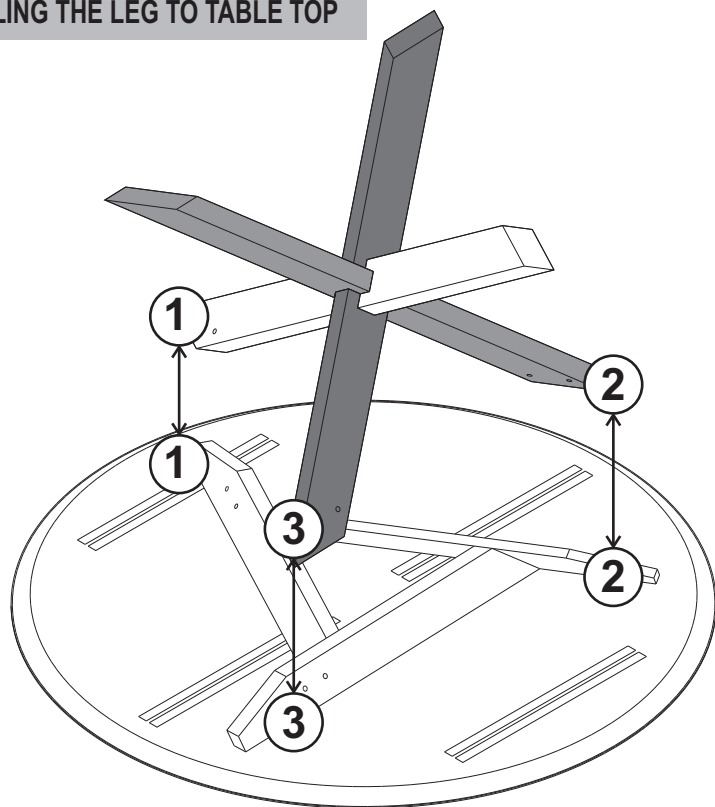


C. LOCKING



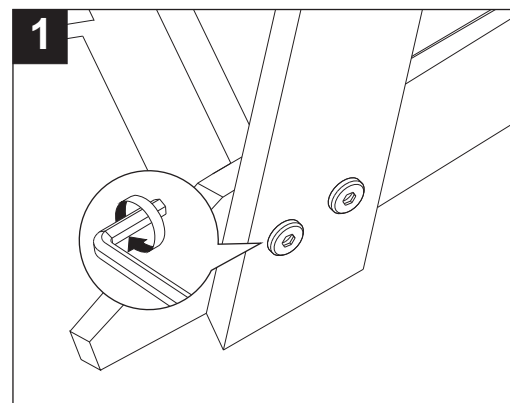
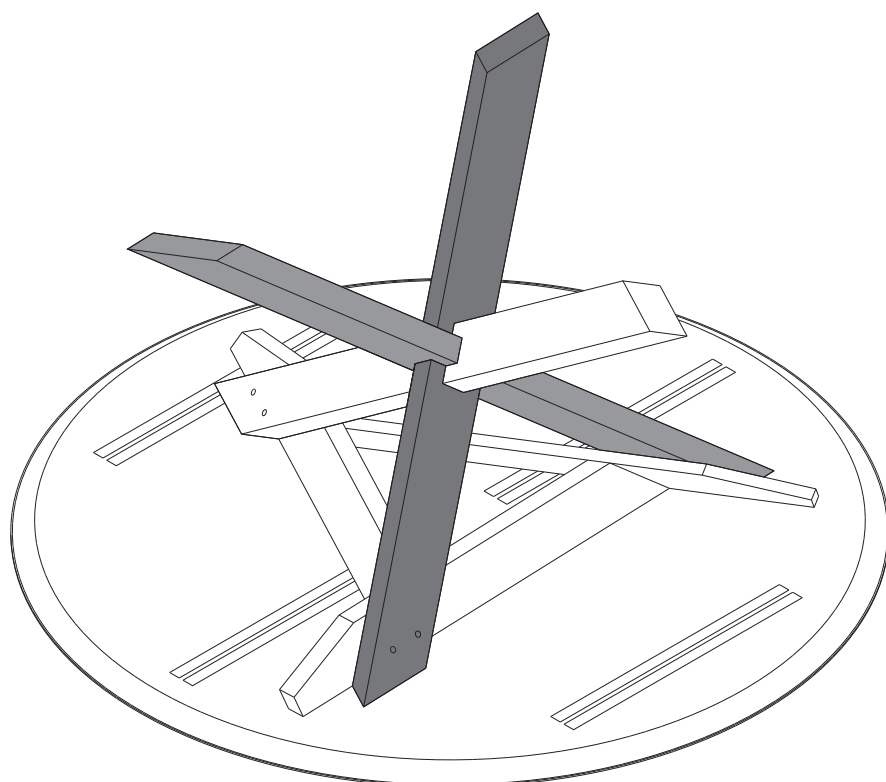
CIRCLE DINING TABLE
ASSEMBLY INSTRUCTION FOR DINING TABLE INSTALLATION

D. INSTALLING THE LEG TO TABLE TOP



! DO NOT FULLY TIGHTEN WHEN ASSEMBLY THE SCREW

E. FINISH



! TIGHTEN WHEN ALL SCREWS ARE IN ITS POSITION