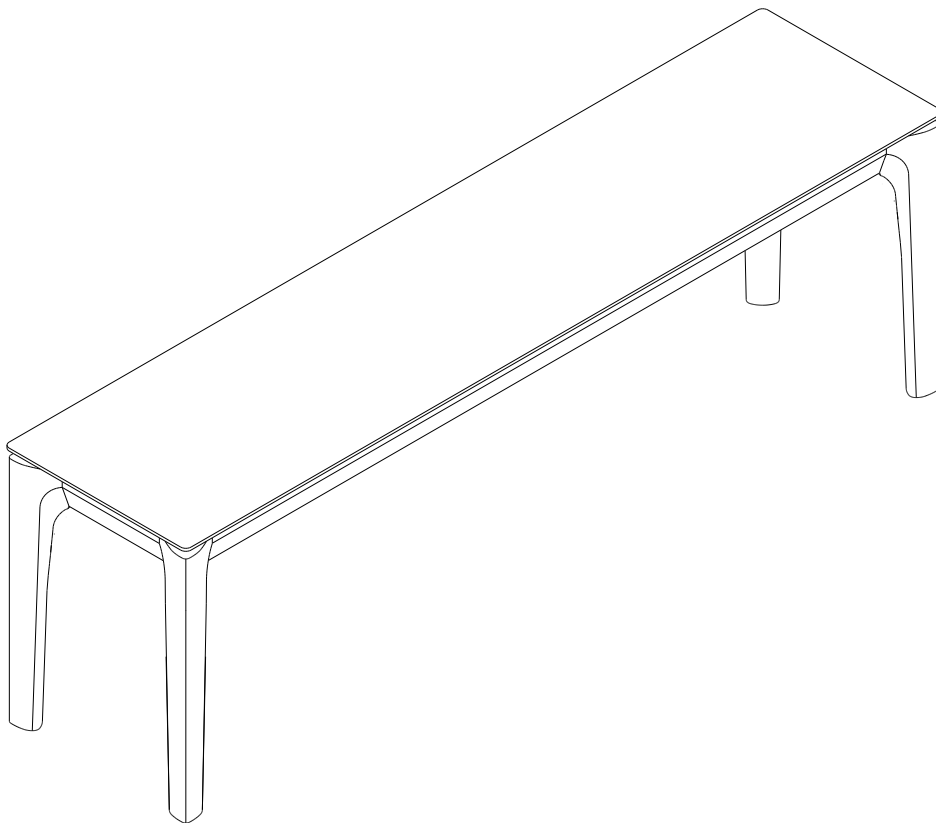


Ethnicraft

ASSEMBLY INSTRUCTIONS FOR BENCH INSTALLATION

OAK BOK BENCH

CODE	DESCRIPTION
51530	OAK BOK BENCH 126/35/46
51531	OAK BOK BENCH 146/35/46
51532	OAK BOK BENCH 166/35/46
51533	OAK BOK BENCH 186/35/46
51535	OAK BOK BLACK BENCH 126/35/46
51536	OAK BOK BLACK BENCH 146/35/46
51537	OAK BOK BLACK BENCH 166/35/46
51538	OAK BOK BLACK BENCH 186/35/46
51545	OAK BOK BROWN BENCH 126/35/46
51546	OAK BOK BROWN BENCH 146/35/46
51547	OAK BOK BROWN BENCH 166/35/46
51548	OAK BOK BROWN BENCH 186/35/46

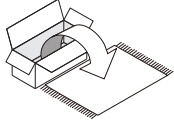


Ethnicraft

OAK BOK BENCH

ASSEMBLY INSTRUCTIONS FOR BENCH INSTALLATION

NOTE



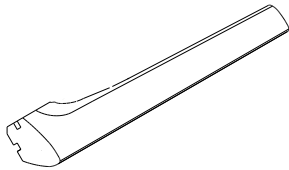
- CAREFULLY OPEN THE CARTON,
- REMOVE CONTENTS AND LAY OUT ON CARPET OR THE PACKAGING CARTON BOX OR OTHER PROTECTIVE SURFACE TO AVOID DAMAGE.
- CHECK PACKAGE CONTENTS TO ASSURE ALL THE NECESSARY HARDWARE AND PARTS ARE RECEIVED UNDAMAGED.
- DO NOT USE DAMAGE OR DEFECTIVE PARTS/HARDWARE.
- CONTACT ETHNICRAFT FOR ANY MISSING PART AND /OR HARDWARE.



- READ THE ASSEMBLY INSTRUCTION BEFORE INSTALLATION AND CAREFULLY FOLLOW THE INSTRUCTION GIVEN.
- SEEK THE ADVICE OF A PROFESSIONAL IF YOU ARE NOT FAMILIAR WITH THESE INSTALLATIONS OR HAVE ANY DOUBTS ABOUT THE SAFETY OF THIS INSTALLATION.



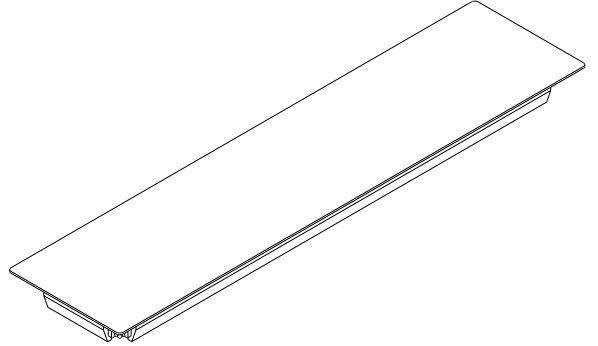
- IT IS ADVISABLE TO DO THIS ASSEMBLY WITH MINIMUM OF 2 PERSONS.



B LEG 4 pieces

CODE	DESCRIPTION
P4721	LEG FOR NATURAL FINISH
P4726	LEG FOR BLACK FINISH
P4919	LEG FOR BROWN FINISH

PARTS TO ASSEMBLE



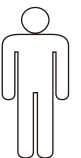
A BENCH TOP 1 piece

CODE	DESCRIPTION
P4717	BENCH TOP 126
P4718	BENCH TOP 146
P4719	BENCH TOP 166
P4720	BENCH TOP 186
P4722	BLACK BENCH TOP 126
P4723	BLACK BENCH TOP 146
P4724	BLACK BENCH TOP 166
P4725	BLACK BENCH TOP 186
P4915	BROWN BENCH TOP 126
P4916	BROWN BENCH TOP 146
P4917	BROWN BENCH TOP 166
P4918	BROWN BENCH TOP 186

SYMBOLS



DIRECTION



NUMBER OF PERSONS NEEDED

HARDWARE ENCLOSED

<p>H0689 SPAX SCREW M6x80 (8pcs)</p>	<p>H0383 WASHER M8 (8pcs)</p>
--	---

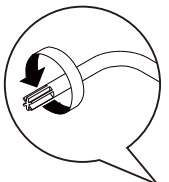
TOOL

(Included in packaged)

<p>H0893 TORX KEY (1pc)</p>



USE HAND



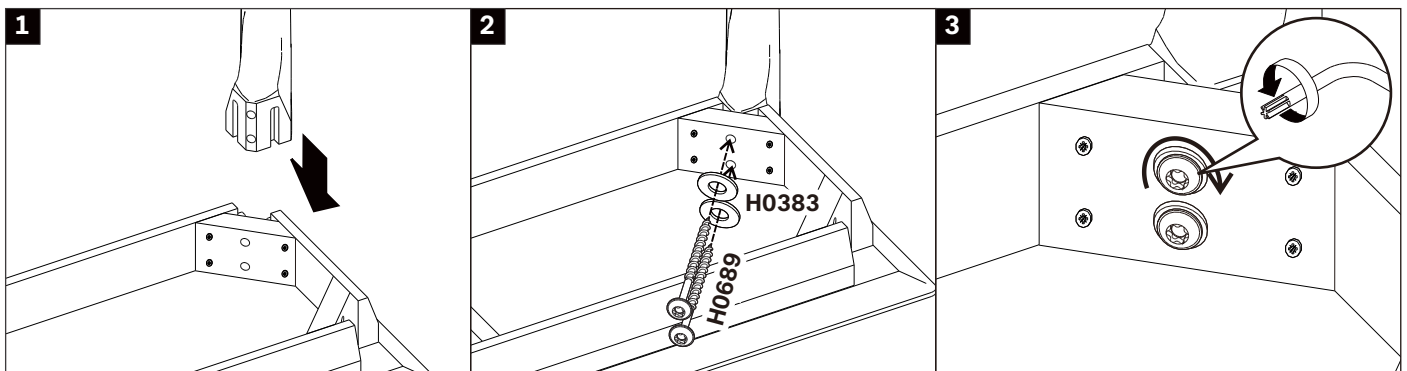
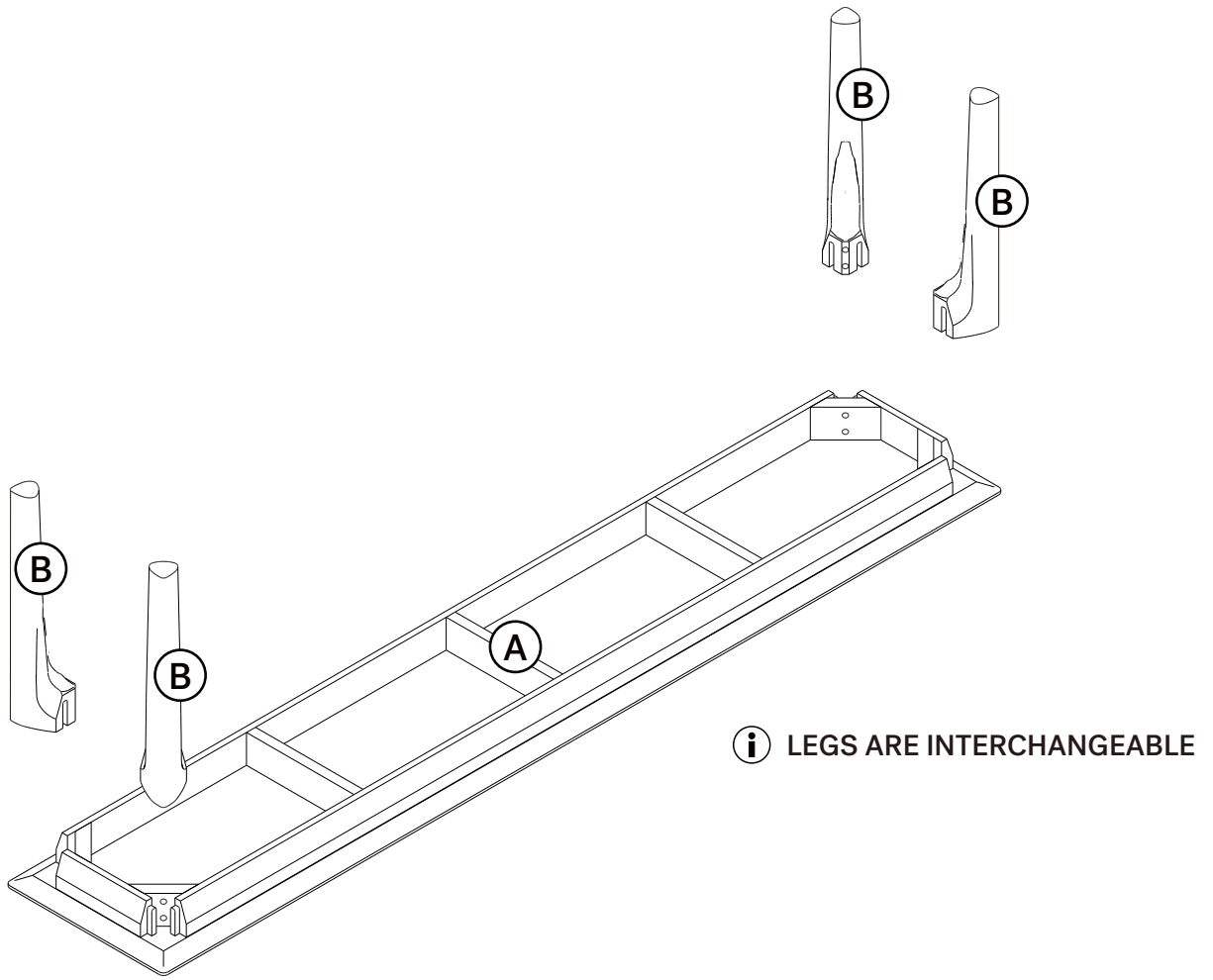
USE TORX KEY TO TIGHTEN

Ethnicraft

OAK BOK BENCH

ASSEMBLY INSTRUCTIONS FOR BENCH INSTALLATION

CONNECTING THE LEGS AND THE BENCH TOP



- ! - REPEAT STEP 1 TO STEP 3 FOR OTHER LEGS
- NOT TOO TIGHT (TO BE RE-TIGHTENED AFTER 15 DAYS)