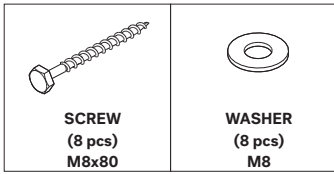


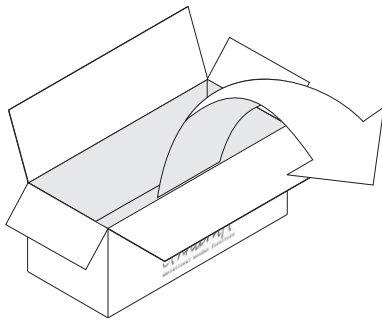
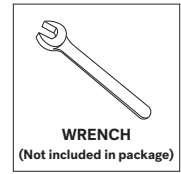
51527 OAK BOK ROUND EXTENDABLE DINING TABLE

ASSEMBLY INSTRUCTIONS FOR DINING TABLE INSTALLATION

HARDWARE ENCLOSED



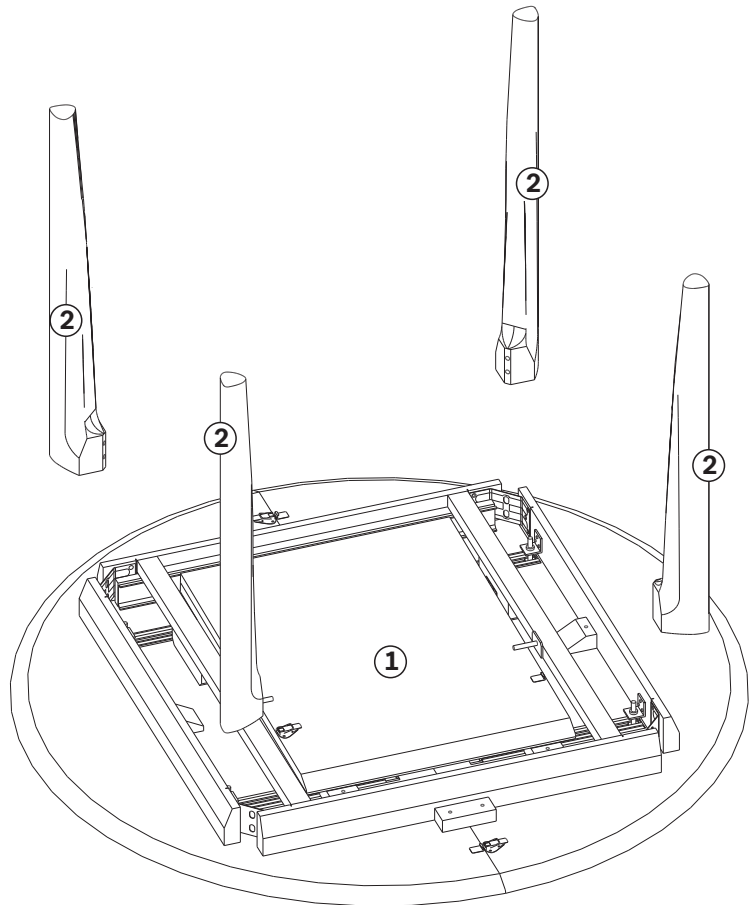
TOOL



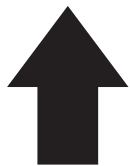
IN YOUR PACKAGE :
ASSEMBLY INSTRUCTIONS
HARDWARE (AS LISTED ABOVE)

PARTS TO BE INSTALLED

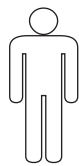
1. TOP PANEL 1pc
2. LEGS 4pcs



SYMBOLS



DIRECTION



NUMBER OF PERSON NEEDED

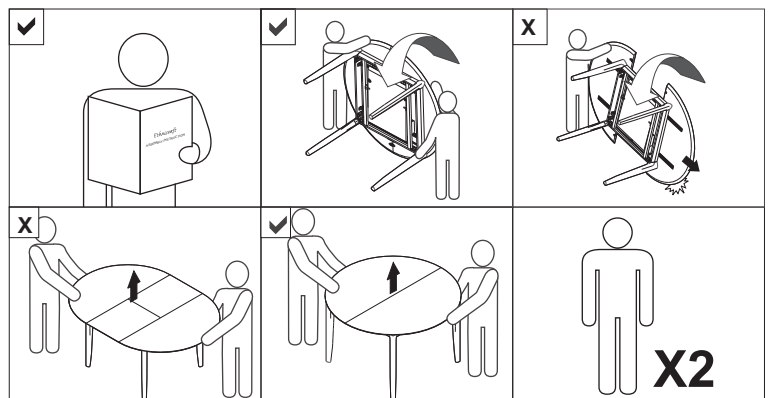


USE HAND



USE WRENCH TO TIGHTEN

NOTICE



WHEN LIFTING THE TABLE :

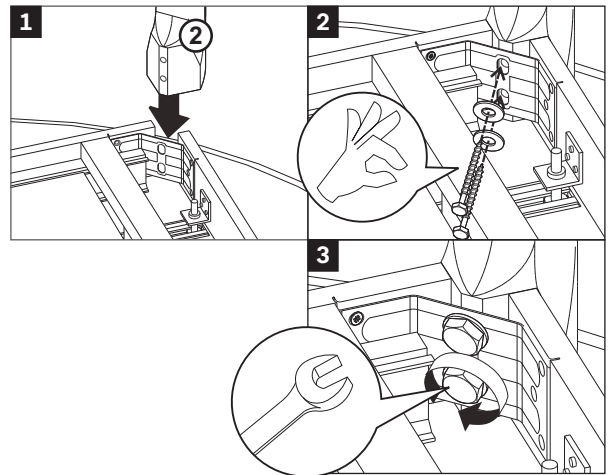
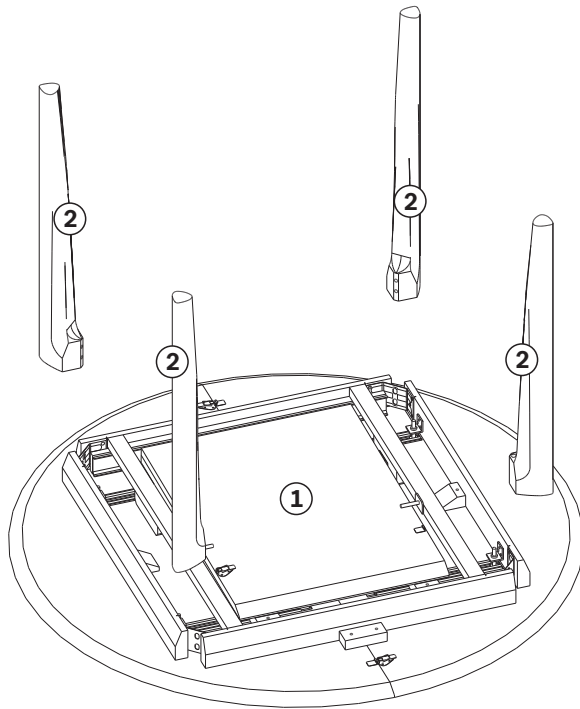
- LIFT ONLY ON THE APRON

- MAKE SURE TABLE IS IN UNEXTENDED POSITION

51527 OAK BOK ROUND EXTENDABLE DINING TABLE

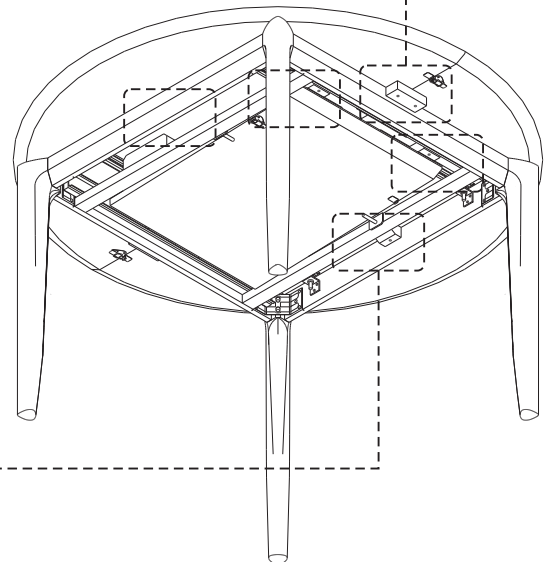
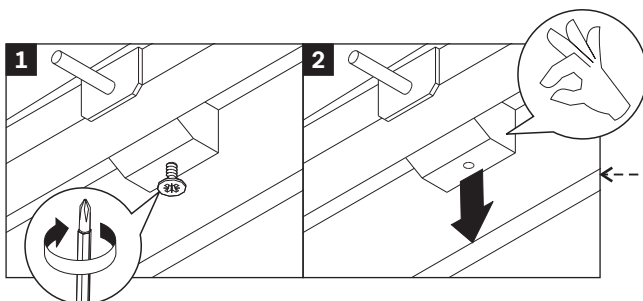
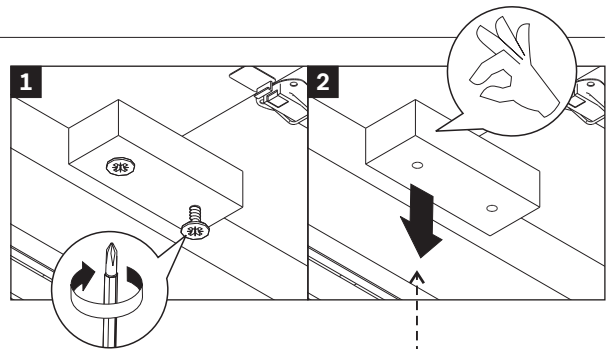
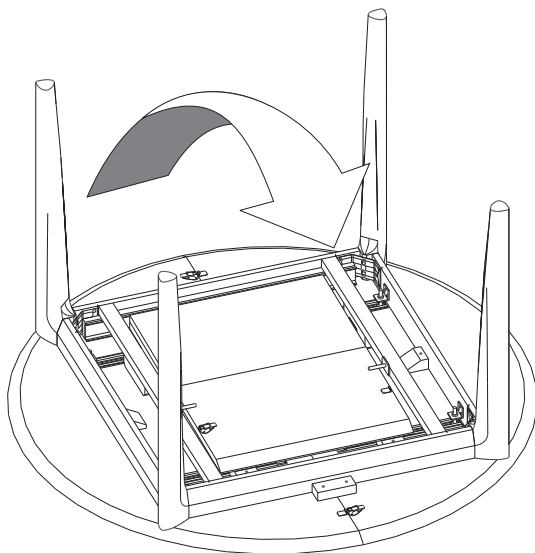
ASSEMBLY INSTRUCTIONS FOR DINING TABLE INSTALLATION

A. INSTALLING THE LEGS TO TABLE TOP



- ! IMPORTANT :**
- USE WASHER M8
 - USE SCREW M8x80
 - TIGHTEN FULLY

B. REMOVING WOODEN PIECES



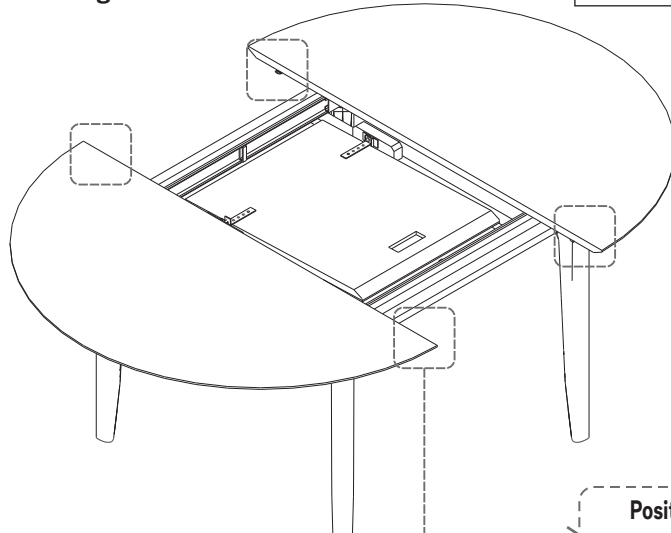
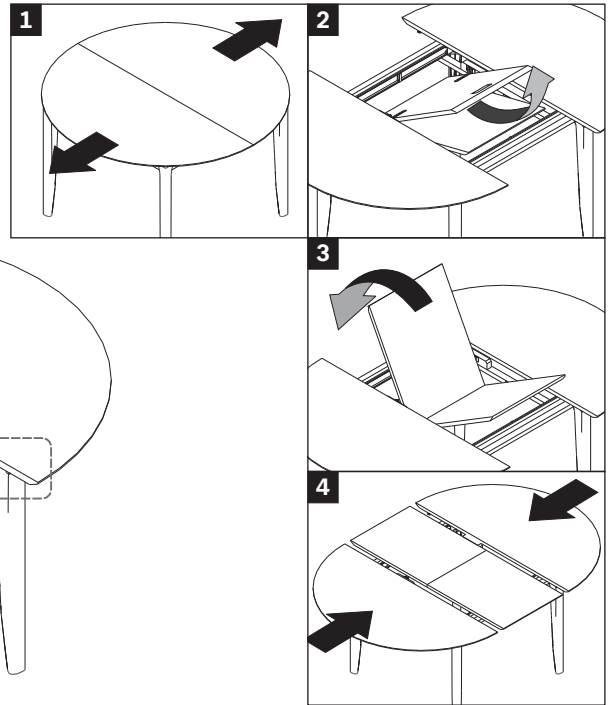
51527 OAK BOK ROUND EXTENDABLE DINING TABLE

ASSEMBLY INSTRUCTIONS FOR DINING TABLE INSTALLATION

C. EXTENDING

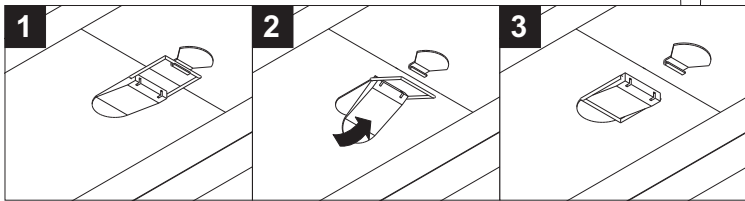
RECOMMENDATION :

In order to avoid colour differences between the fixed table top and the extensions due to UV light, we suggest to put your dining table in extended version during the first month.

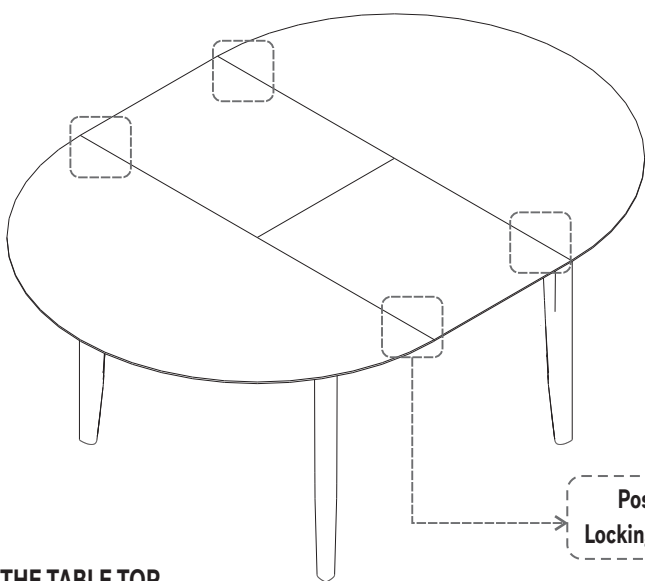
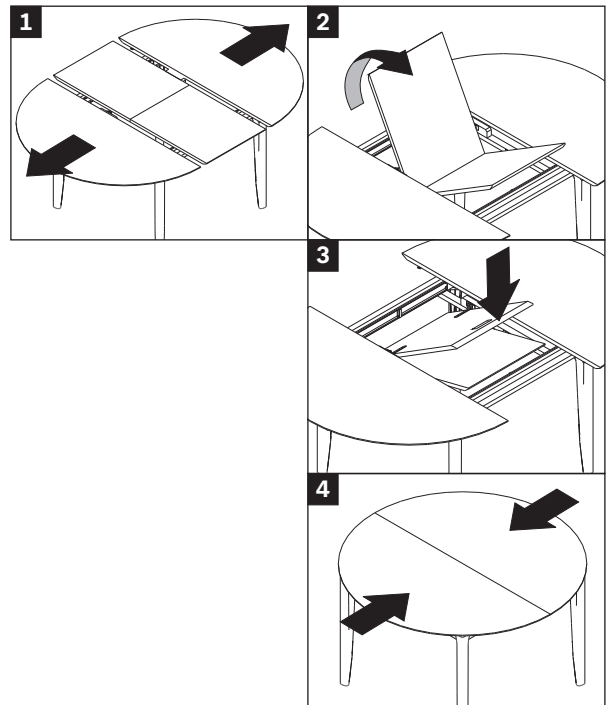


Position of Locking Hardware

UNLOCK THE TABLE TOP



D. DISMANTLING



Position of Locking Hardware

LOCK THE TABLE TOP

