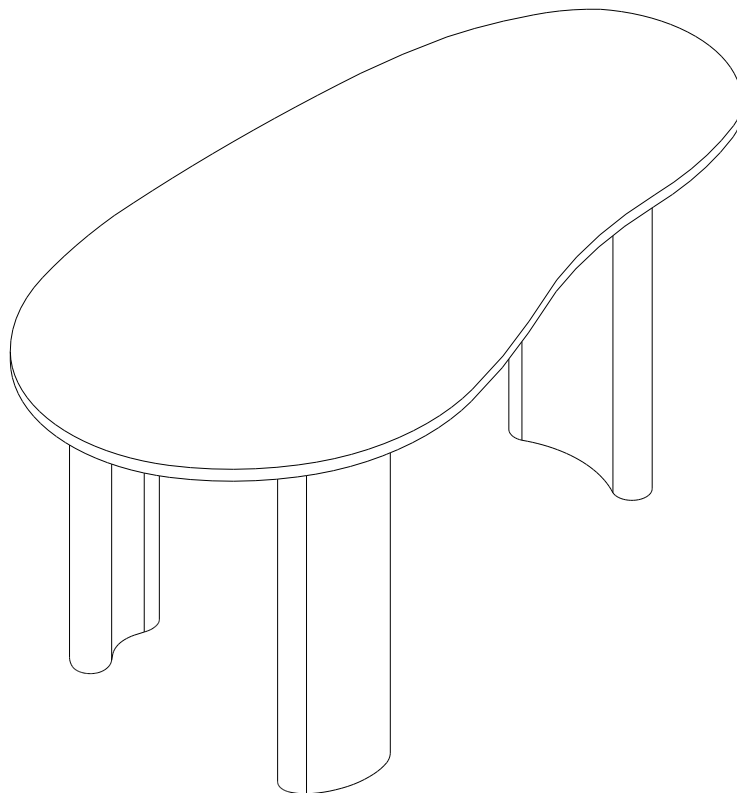


Ethnicraft

ASSEMBLY INSTRUCTIONS FOR DESK INSTALLATION

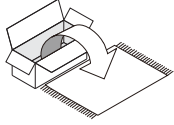
MAHOGANY BOOMERANG DESK

CODE	DESCRIPTION
35011	MAHOGANY BOOMERANG DARK BROWN DESK - VARNISHED 160/83/76
35014	MAHOGANY BOOMERANG DARK BROWN DESK - VARNISHED 200/100/76



BOOMERANG DESK ASSEMBLY INSTRUCTIONS FOR DESK INSTALLATION

NOTE



- CAREFULLY OPEN THE CARTON,
- REMOVE CONTENTS AND LAY OUT ON CARPET OR THE PACKAGING CARTON BOX OR OTHER PROTECTIVE SURFACE TO AVOID DAMAGE.
- CHECK PACKAGE CONTENTS TO ASSURE ALL THE NECESSARY HARDWARE AND PARTS ARE RECEIVED UNDAMAGED.
- DO NOT USE DAMAGE OR DEFECTIVE PARTS/HARDWARE.
- CONTACT ETHNICRAFT FOR ANY MISSING PART AND /OR HARDWARE.

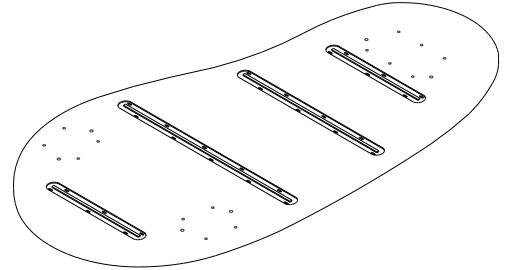


- READ THE ASSEMBLY INSTRUCTION BEFORE INSTALLATION AND CAREFULLY FOLLOW THE INSTRUCTION GIVEN.
- SEEK THE ADVICE OF A PROFESSIONAL IF YOU ARE NOT FAMILIAR WITH THESE INSTALLATIONS OR HAVE ANY DOUBTS ABOUT THE SAFETY OF THIS INSTALLATION.



- IT IS ADVISABLE TO DO THIS ASSEMBLY WITH MINIMUM OF 2 PERSONS.

PARTS TO ASSEMBLE



A TABLE TOP 1piece

CODE	DESCRIPTION
P3032	TABLE TOP 160x83
P3086	TABLE TOP 200x100



B LEG A (INTERCHANGEABLE) 2pieces

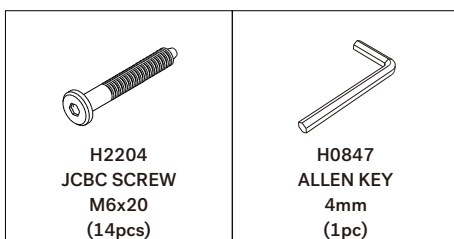
CODE	DESCRIPTION
P3033	LEG A



C LEG B 1piece

CODE	DESCRIPTION
P3034	LEG B

HARDWARE & TOOL ENCLOSED



SYMBOLS



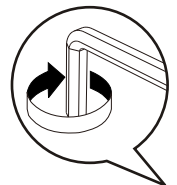
DIRECTION



NUMBER OF
PERSONS NEEDED



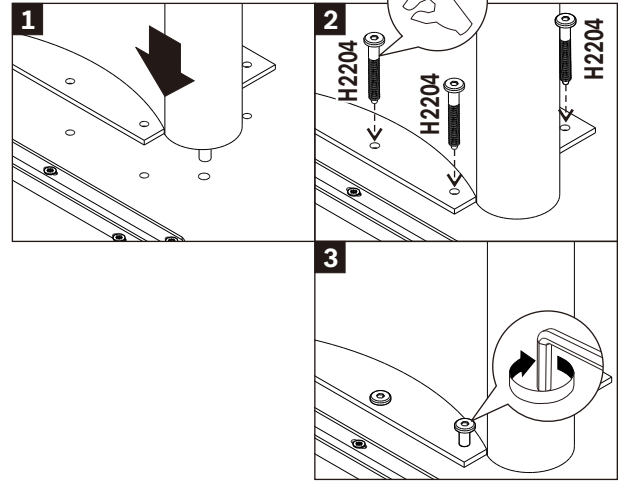
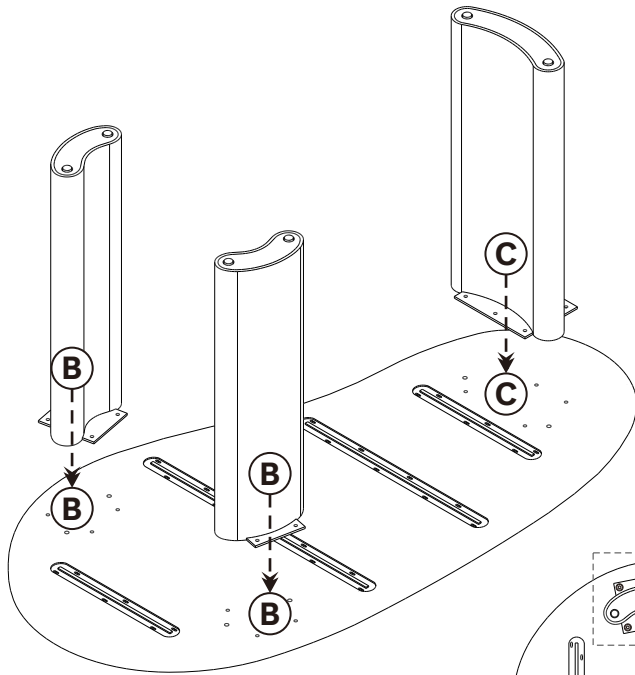
USE HAND



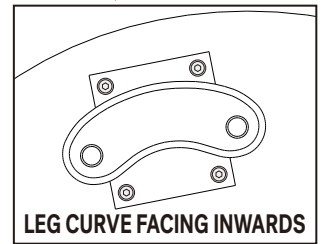
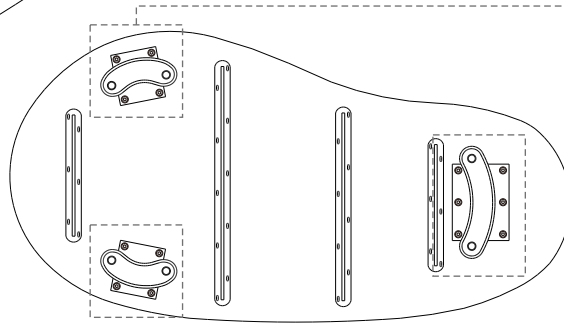
USE ALLEN KEY
TO TIGHTEN

BOOMERANG DESK ASSEMBLY INSTRUCTIONS FOR DESK INSTALLATION

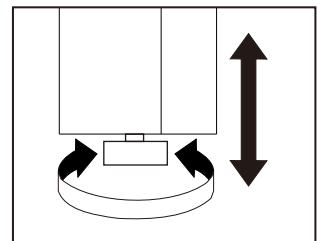
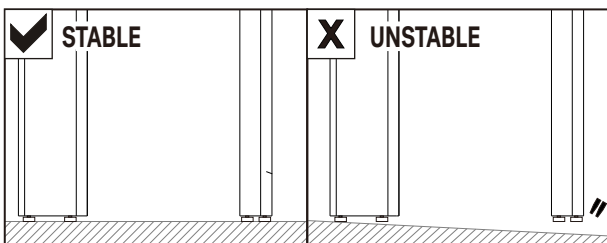
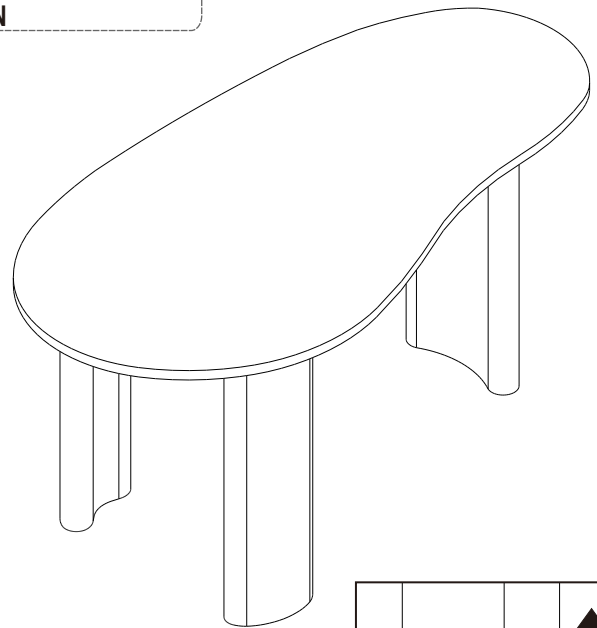
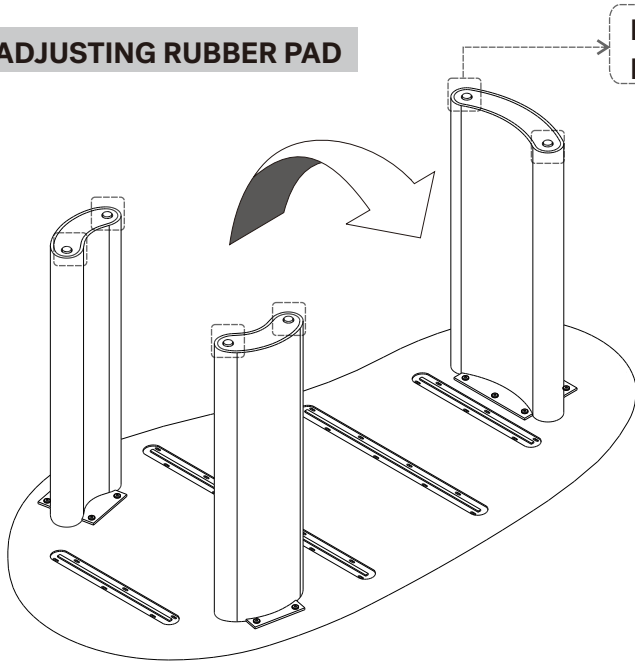
A INSTALLING LEGS TO TABLE TOP



- USE JCBC SCREW M6x20 (14X)
- TIGHTEN FULLY



B ADJUSTING RUBBER PAD



NOTE:
THIS IS A COMPULSORY ACTION TO MAKE SURE
ALL OF THE RUBBER PADS TOUCH THE GROUND!