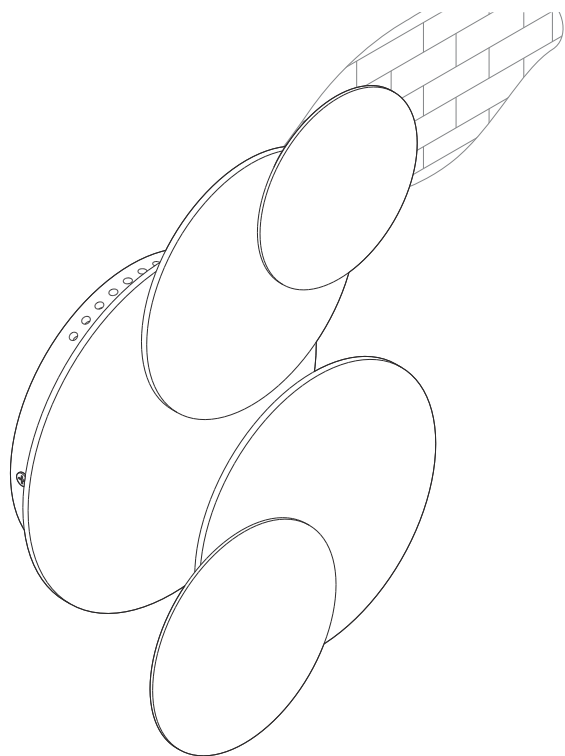
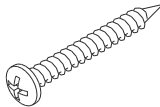
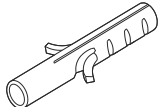


MOONLIGHT WALL LAMP ASSEMBLY INSTRUCTIONS FOR INSTALLATION

**! SCREWS AND WALL PLUGS INCLUDED ARE FOR BRICK WALLS.
IF NOT SUITABLE WITH EXISTING WALL,
CONTACT YOUR LOCAL SPECIALISED DEALER.**






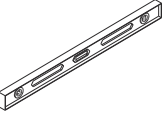
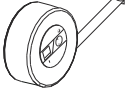
HARDWARE ENCLOSED

 WALL SCREW M4x30 2 pcs	 WALL PLUG S5x25 2 pcs
--	---


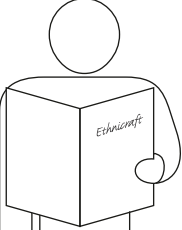
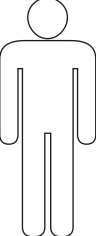
TOOL ENCLOSED

 GLOVES 1 set

TOOLS REQUIRED

 PHILLIPS SCREWDRIVER (not included in package)	 PENCIL (not included in package)
 POWER DRILL (not included in package)	 LEVEL (not included in package)
 MEASURING TOOL (not included in package)	

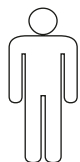
NOTICE

 	 X2
--	--

SYMBOLS



DIRECTION



NUMBER OF PERSONS NEEDED



USE HAND



USE POWER DRILL



USE PHILLIPS SCREWDRIVER



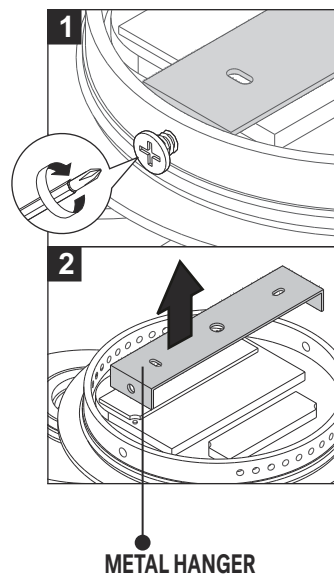
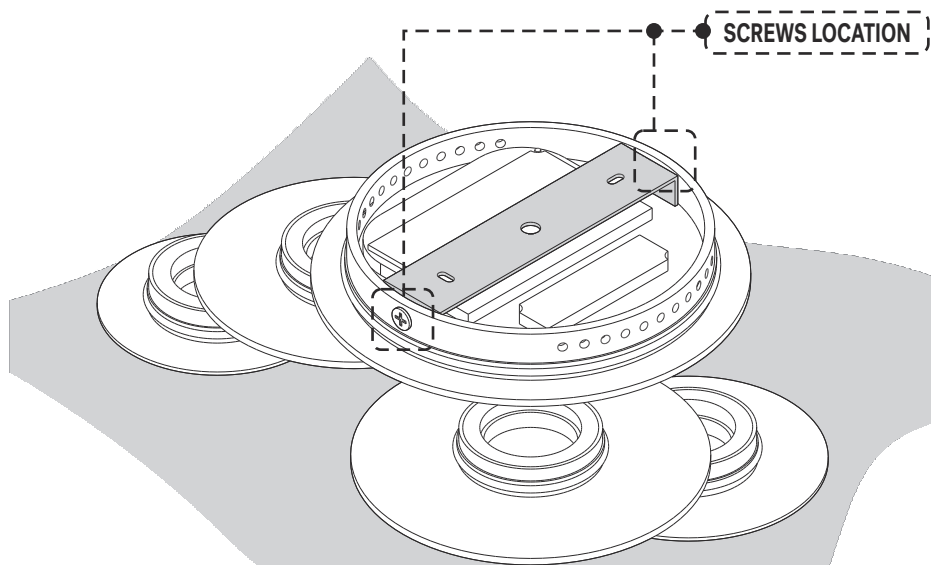
USE PENCIL



USE MEASURING TAPE

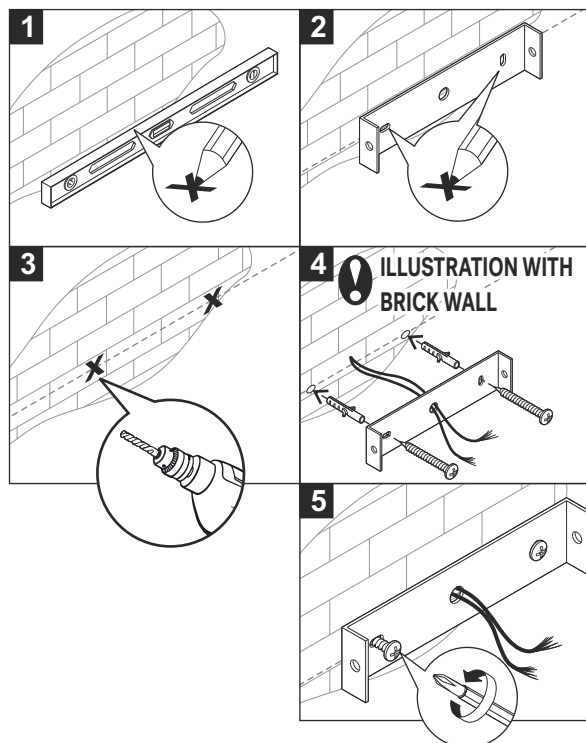
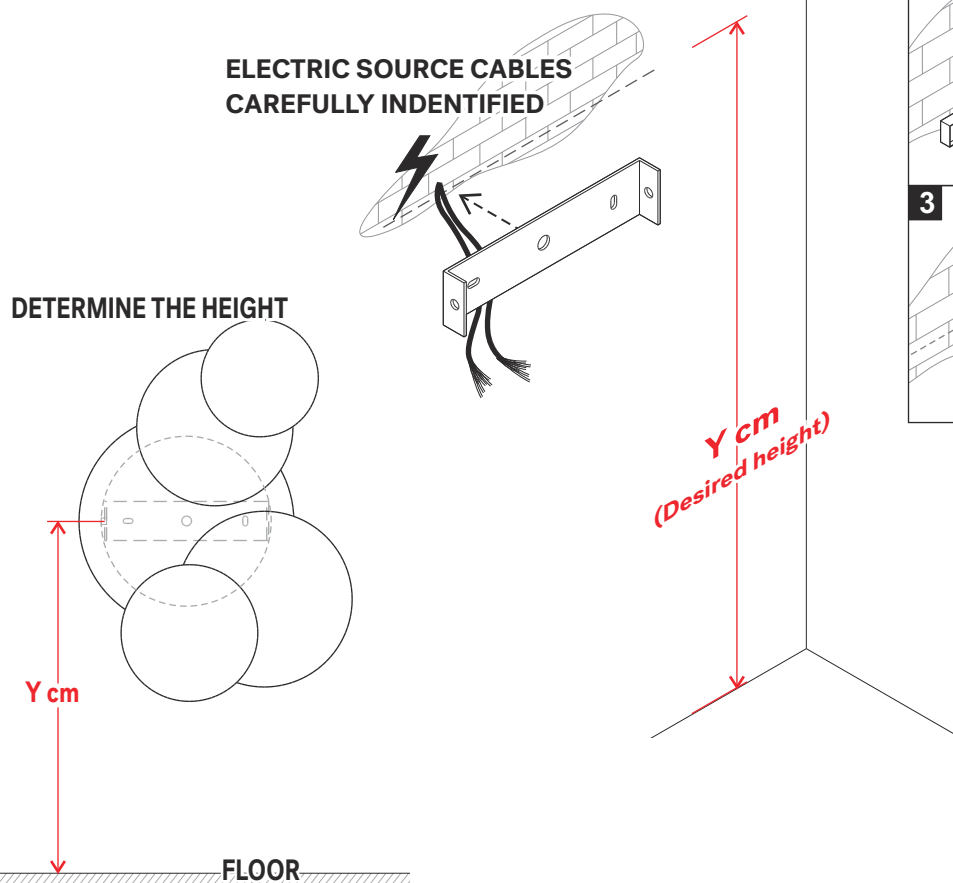
MOONLIGHT WALL LAMP ASSEMBLY INSTRUCTIONS FOR INSTALLATION

1 REMOVE METAL HANGER ON THE LAMP



 USE SMOOTH SURFACE TO AVOID SCRATCHING THE ITEM

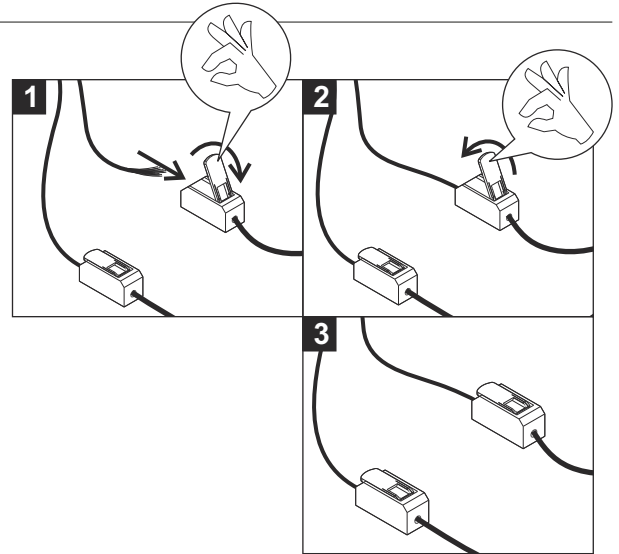
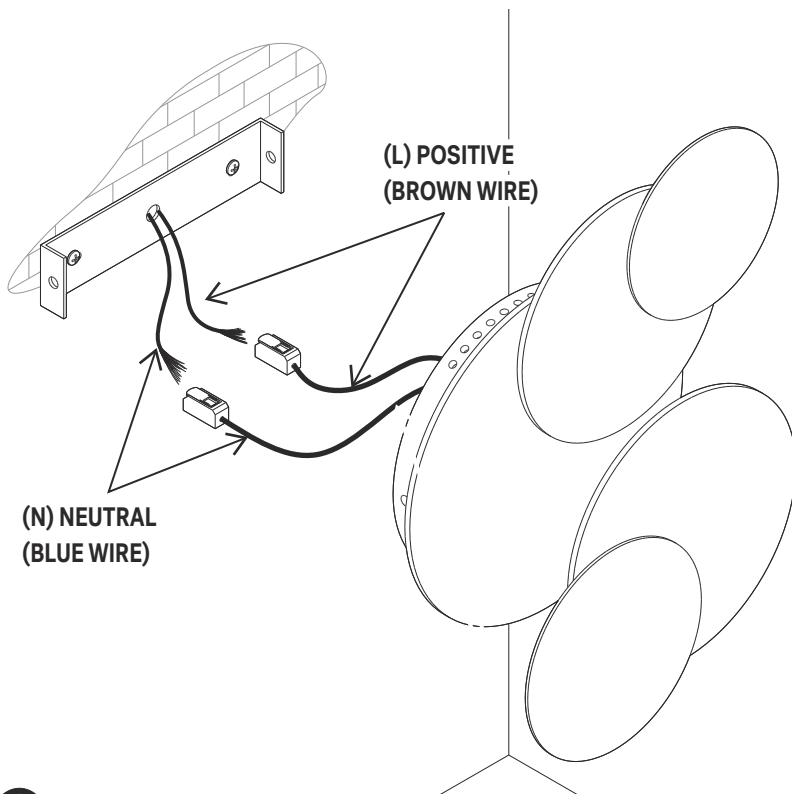
2. INSTALLING METAL HANGER ON THE WALL



- USE METAL BRACKET (1X)
- USE WALL PLUG S5x25 (2X)
- USE WALL SCREW M4x30 (2X)
- TIGHTEN FULLY
- USE GLOVES TO PREVENT CAUSING STATIC ELECTRICITY

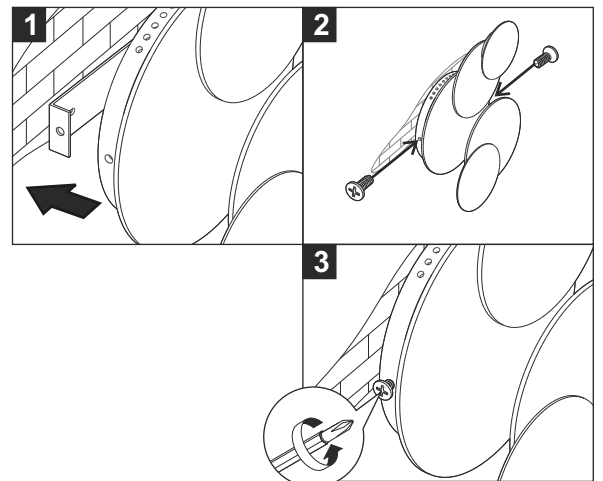
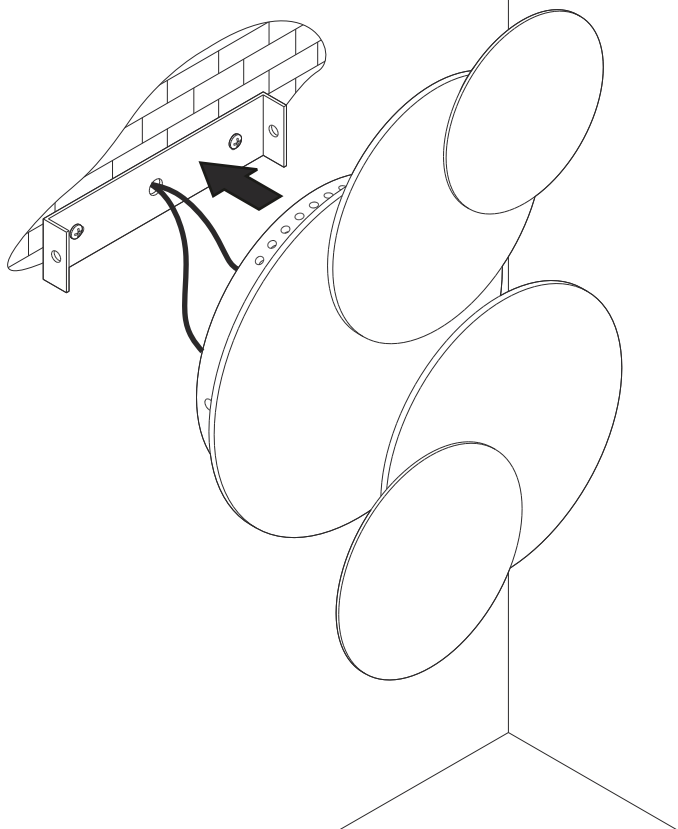
MOONLIGHT WALL LAMP ASSEMBLY INSTRUCTIONS FOR INSTALLATION

3. CONNECTING CABLES FROM LAMP TO ELECTRICAL SOURCE



! ENSURE MAIN ELECTRICAL SOURCE IS TURNED OFF BEFORE CONNECTING CABLES.
SEEK PROFESSIONAL HELP FOR FURTHER ADVICE OR ASSISTANCE IF REQUIRED.

4. INSTALLING MOONLIGHT WALL LAMP TO METAL BRACKET



! - USE SCREW M4x10 (2X)
- TIGHTEN FULLY