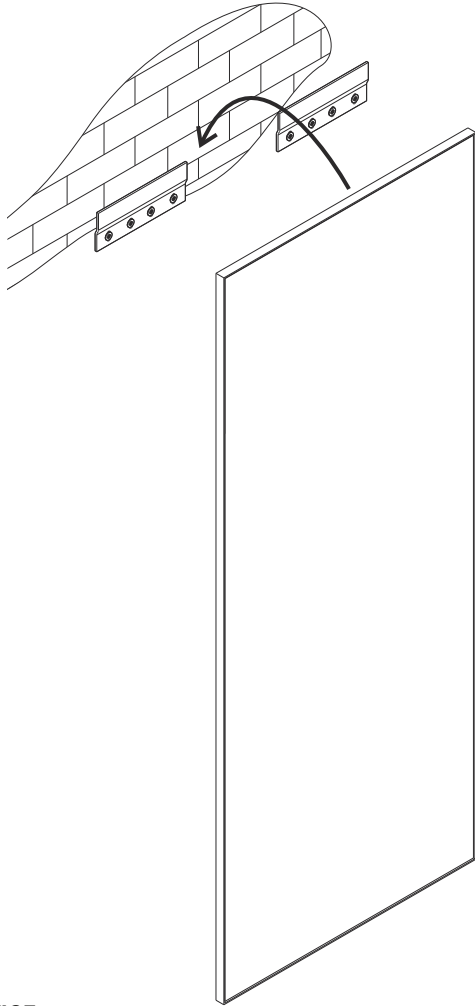
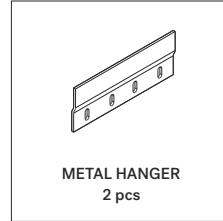


RECTANGLE FLOOR MIRROR - METAL FRAME
 ASSEMBLY INSTRUCTION FOR MIRROR INSTALLATION

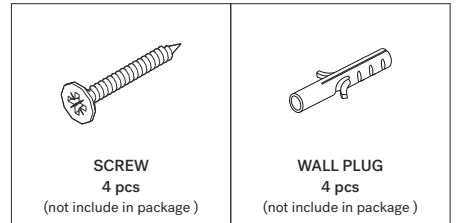
! AS WALL MATERIALS VARY, SCREWS FOR FIXING TO WALL ARE NOT INCLUDED. FOR ADVICE ON SUITABLE SCREW SYSTEMS, CONTACT YOUR LOCAL SPECIALISED DEALER.



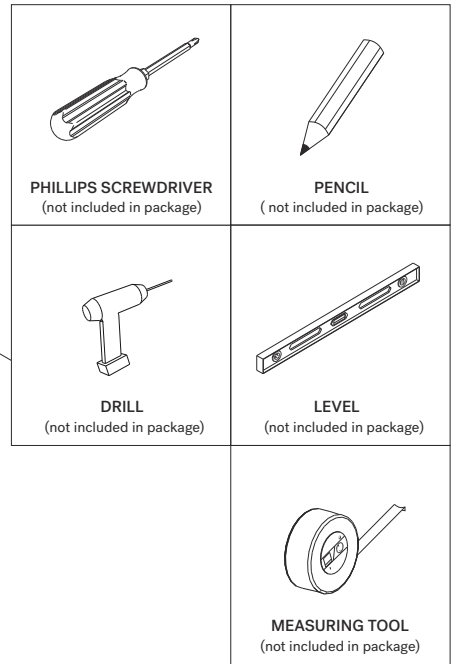
HARDWARE ENCLOSED



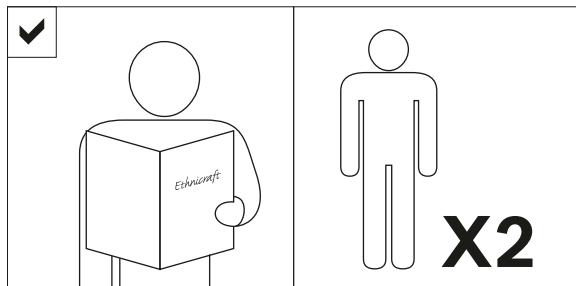
HARDWARE
(not included in package)



TOOLS



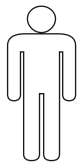
NOTICE



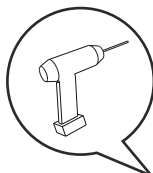
SYMBOLS



DIRECTION



NUMBER OF PERSON NEEDED



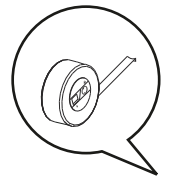
USE DRILL



USE PHILLIPS SCREWDRIVER TO TIGHTEN



USE PENCIL

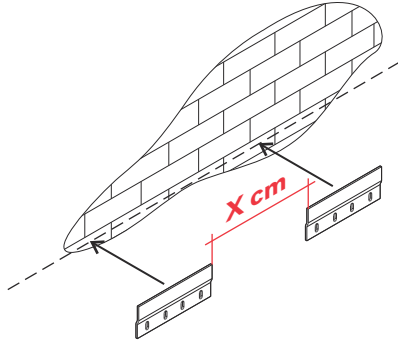


USE MEASURING TOOL

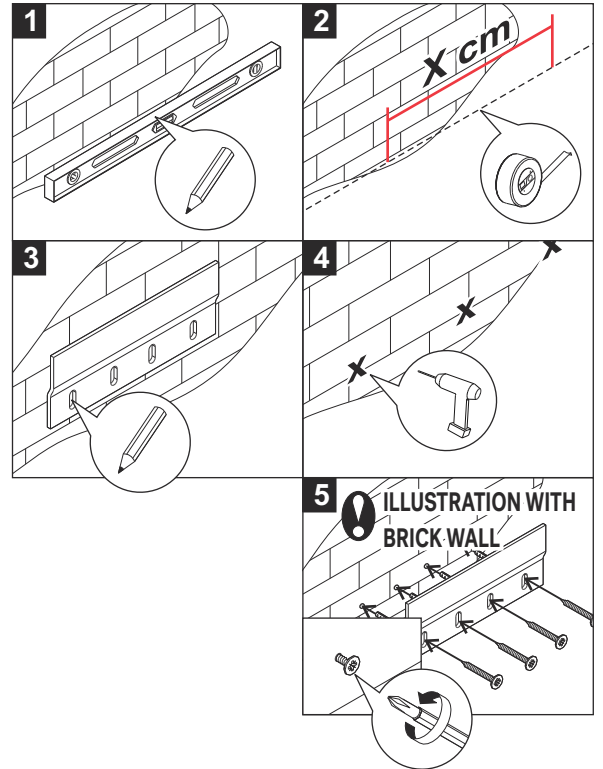
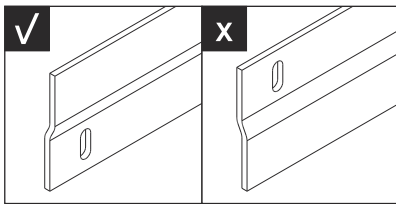
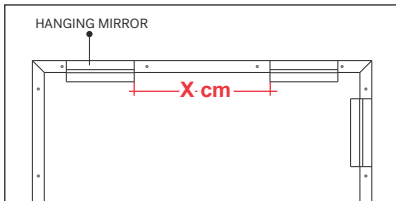
RECTANGLE FLOOR MIRROR - METAL FRAME ASSEMBLY INSTRUCTION FOR MIRROR INSTALLATION

1 INSTALLING METAL HANGER ON THE WALL

VERTICAL POSITION

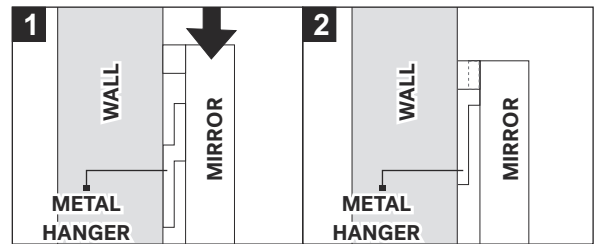
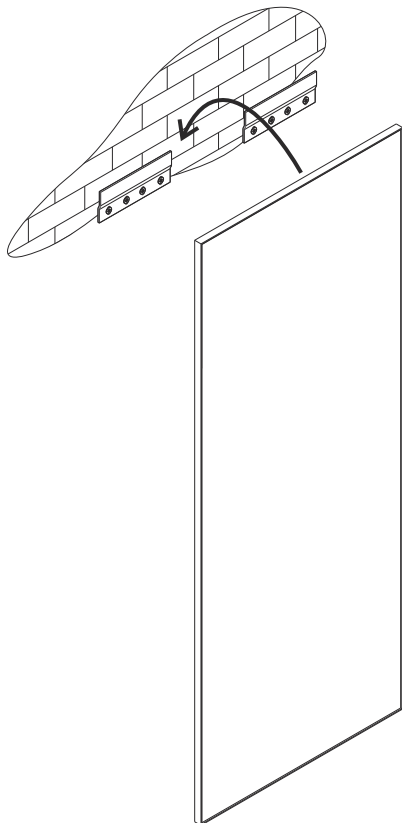


Y cm
(Desired height)



- ! - TIGHTEN FULLY
- REPEAT THOSE STEPS FOR OTHER PART

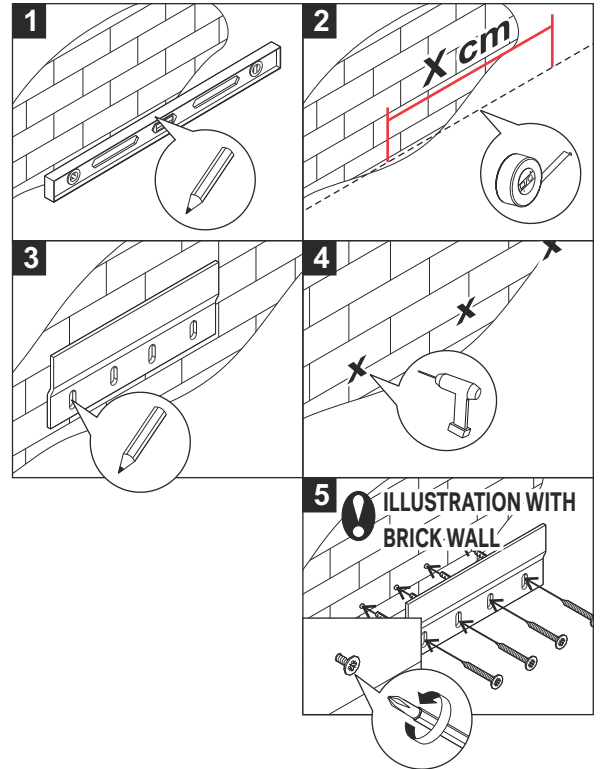
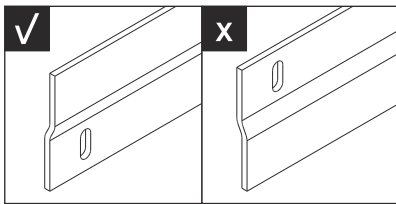
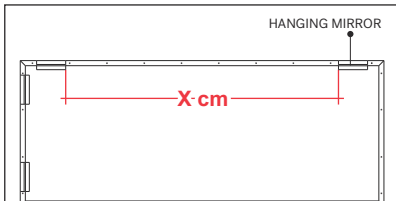
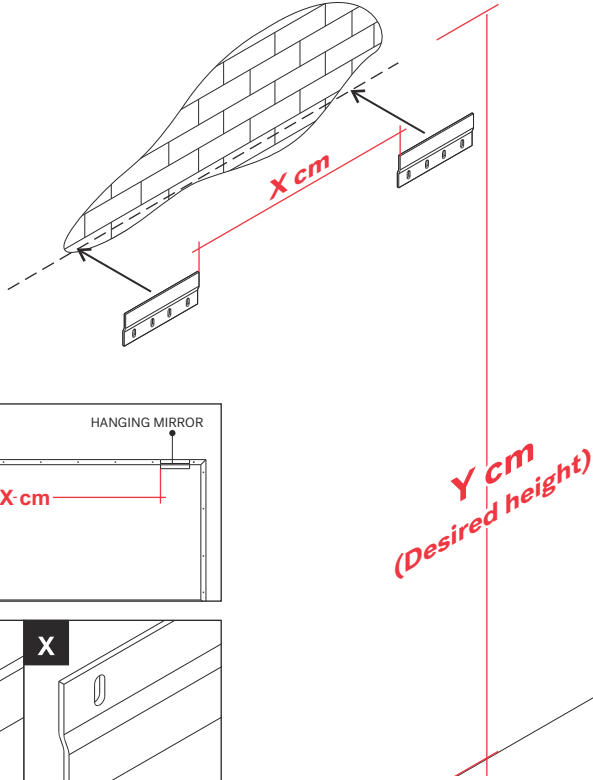
2 HANGING MIRROR TO THE METAL HANGER



RECTANGLE FLOOR MIRROR - METAL FRAME ASSEMBLY INSTRUCTION FOR MIRROR INSTALLATION

1 INSTALLING METAL HANGER ON THE WALL

HORIZONTAL POSITION



- ! - TIGHTEN FULLY
- REPEAT THOSE STEPS FOR OTHER PART

2 HANGING MIRROR TO THE METAL HANGER

