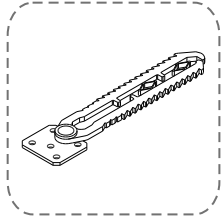
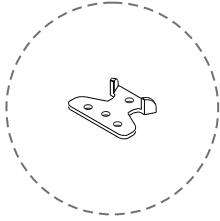


## SOFA MELLOW ASSEMBLY INSTRUCTION FOR SOFA CONNECTION

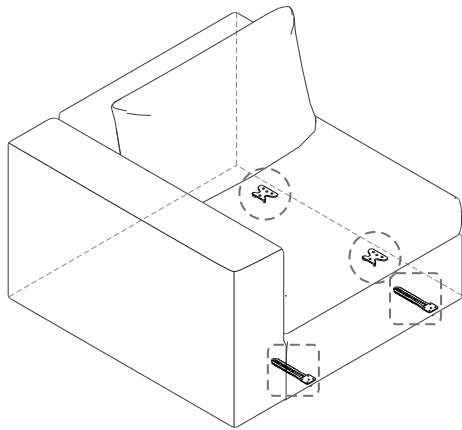
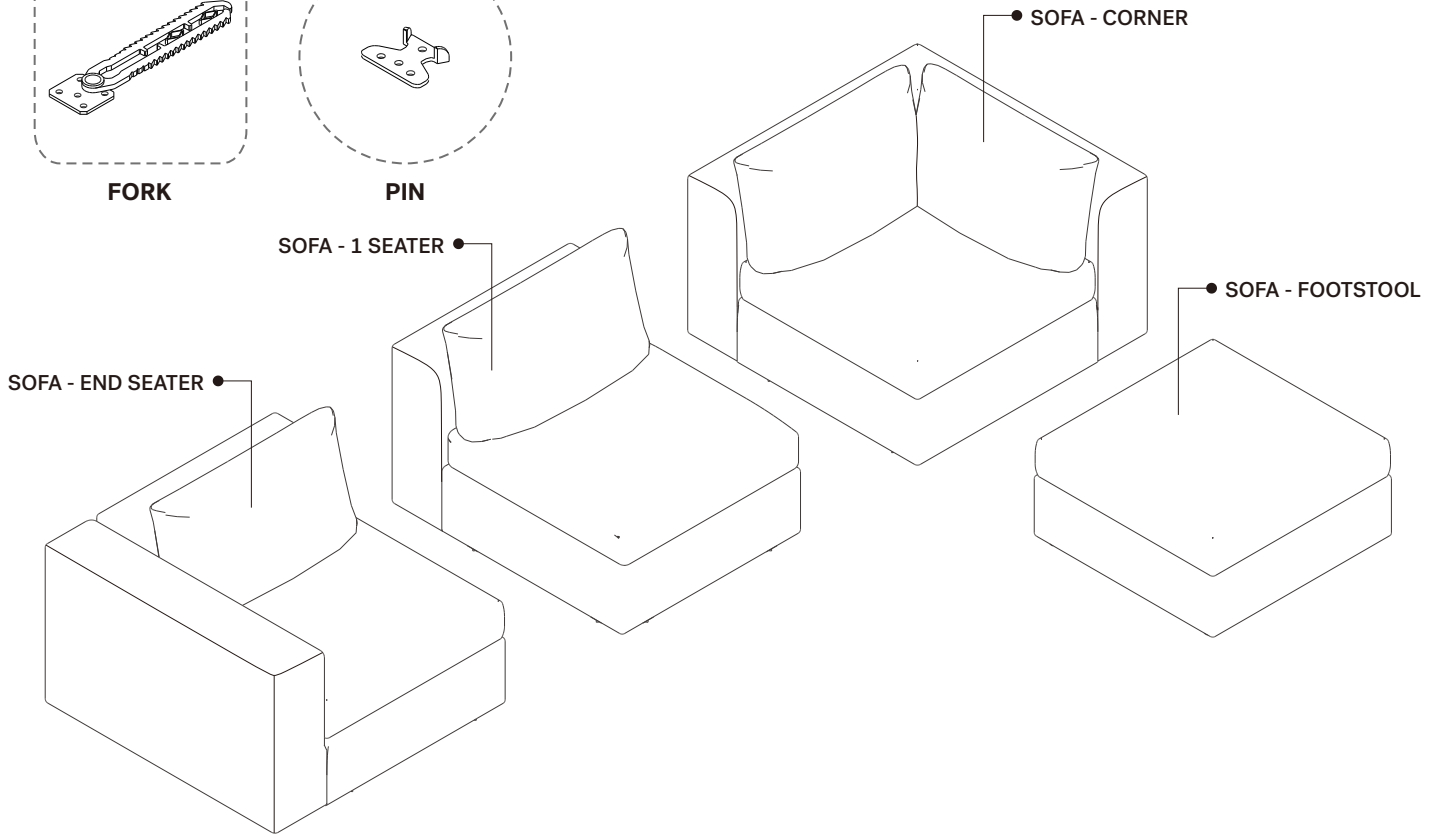
### POSITION OF SOFA CONNECTOR



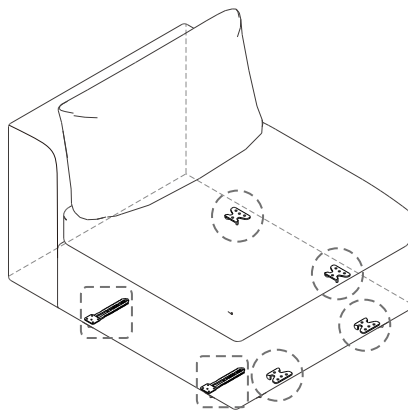
FORK



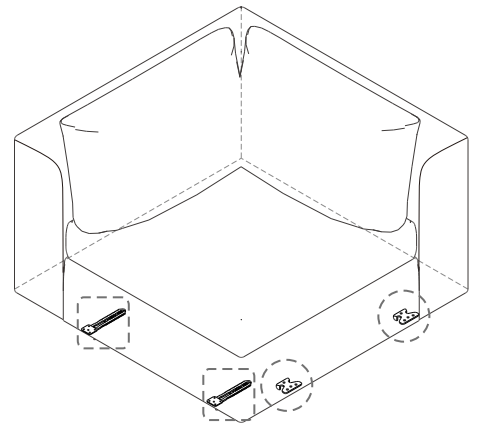
PIN



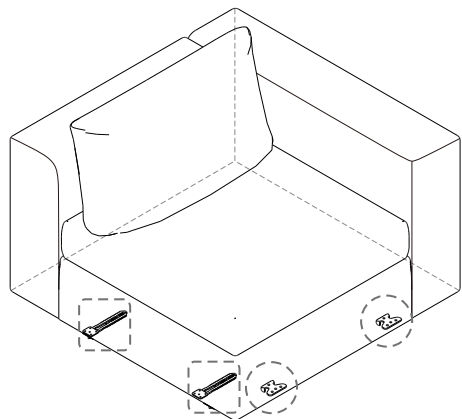
SOFA MELLOW - END SEATER - R ARM



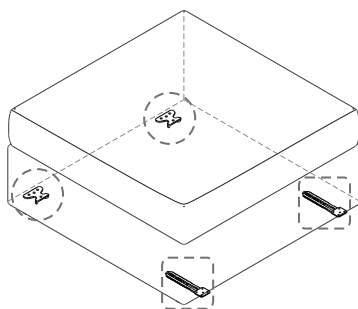
SOFA MELLOW - 1 SEATER



SOFA MELLOW - CORNER

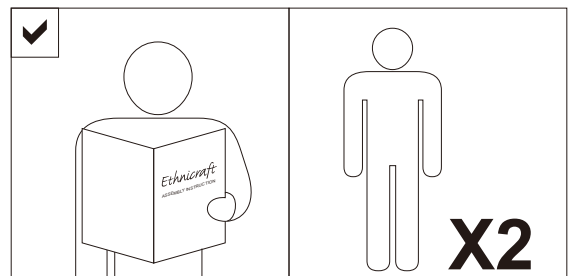


SOFA MELLOW - END SEATER - L ARM



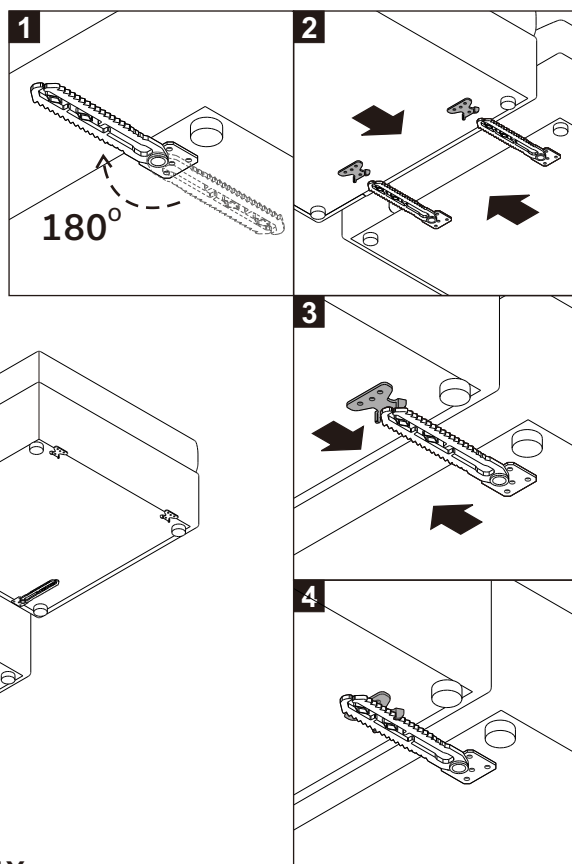
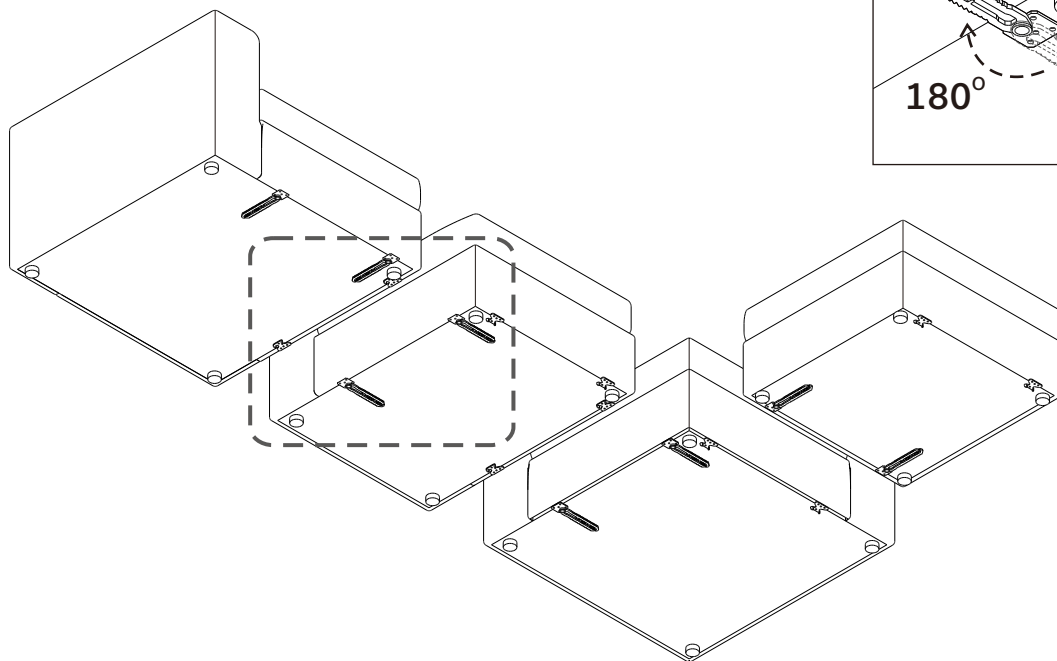
SOFA MELLOW - FOOTSTOOL

### NOTICE



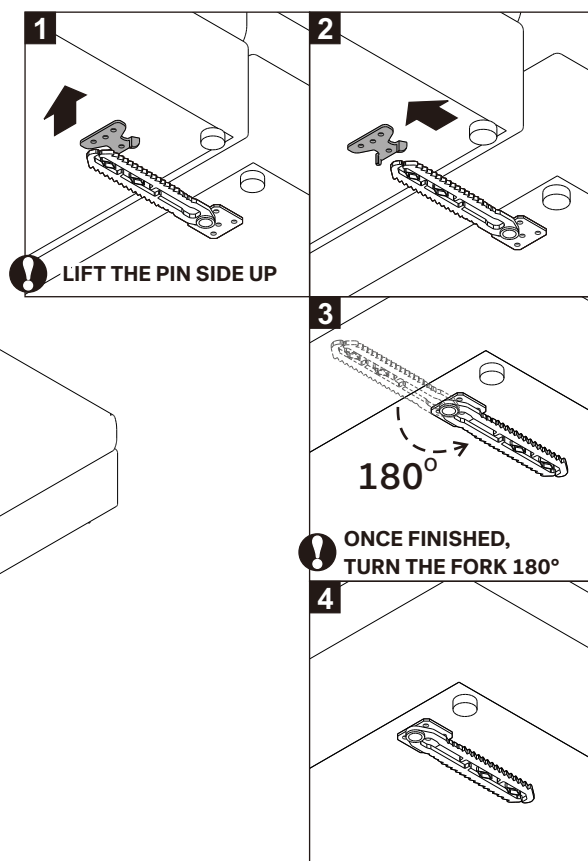
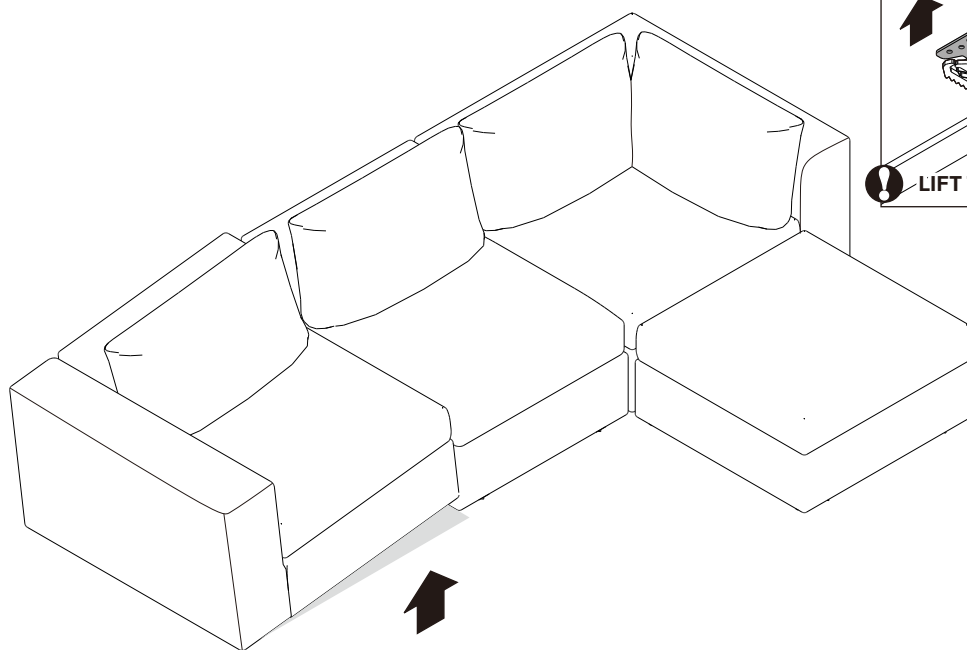
## SOFA MELLOW ASSEMBLY INSTRUCTION FOR SOFA CONNECTION

### A ATTACH SOFA



- ! - MAKE SURE THE ITEMS ARE ALIGNED
- MAKE SURE THE FORK AND PINS ARE INSTALLED PROPERLY

### B DETACH SOFA



! LIFT THE PIN SIDE UP

! ONCE FINISHED, TURN THE FORK 180°

- ! TO DETACH OR DISCONNECT THE ITEMS, LIFT THE SOFA SIDES WITH PINS