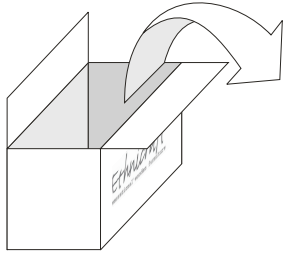


Ethnicraft

SPINDLE BENCH

ASSEMBLY INSTRUCTION FOR BENCH INSTALATION



IN YOUR PACKAGE :

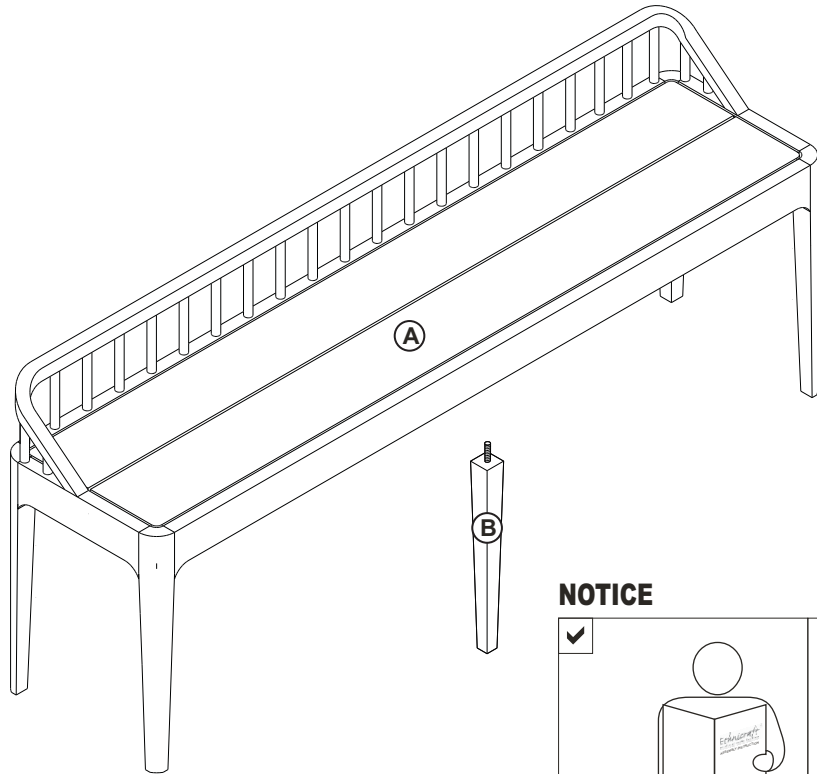
ASSEMBLY INSTRUCTION

HARDWARE (AS LISTED ABOVE)

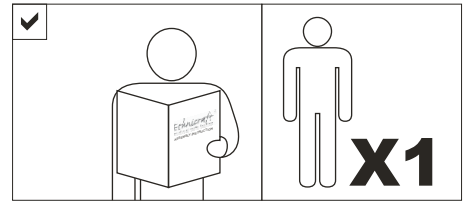
PARTS TO BE INSTALLED

A) BENCH 1 piece

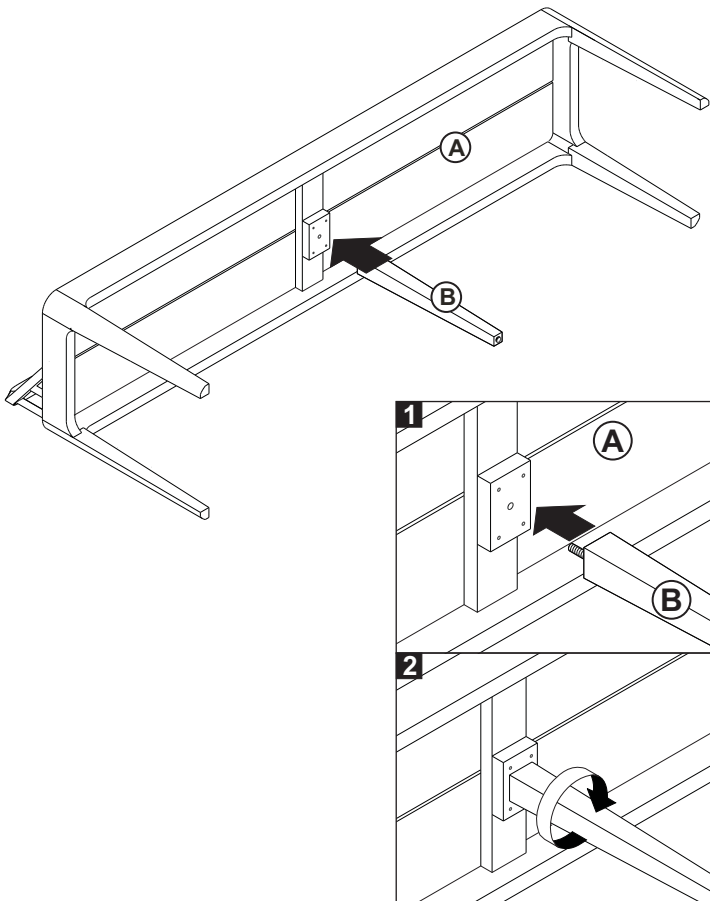
B) MIDDLE LEG 1 piece



NOTICE



A. INSTALLING THE MIDDLE LEG



B. ADJUST THE LEVELER

