

**Item type**

Chandelier

**Item name**

Lulu

**Item number(s)**

116130

**Attention!**

Turn off the electricity supply at the main circuit panel before installing. Do not connect the electricity supply until your luminaire is fully assembled and installed.

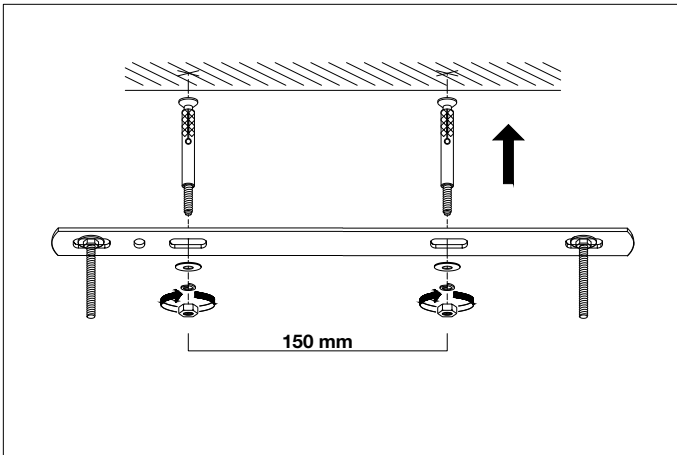
**Care instructions:**

Wipe with a soft dry cloth, do not use chemicals or abrasive cleaning materials.

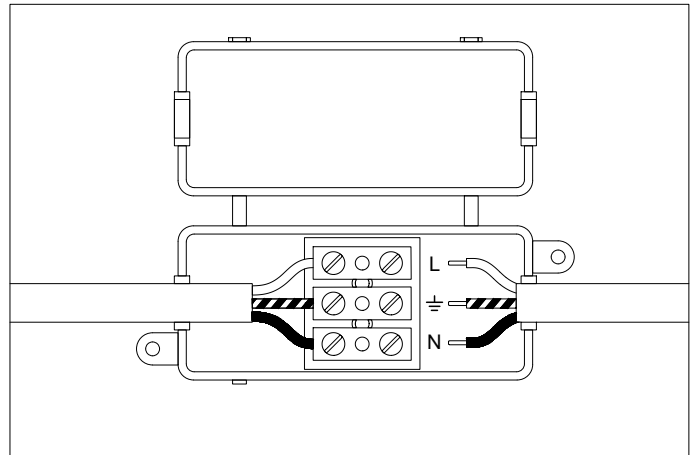
**Eichholtz B.V.**

Delfweg 52  
2211 VN Noordwijkerhout  
The Netherlands

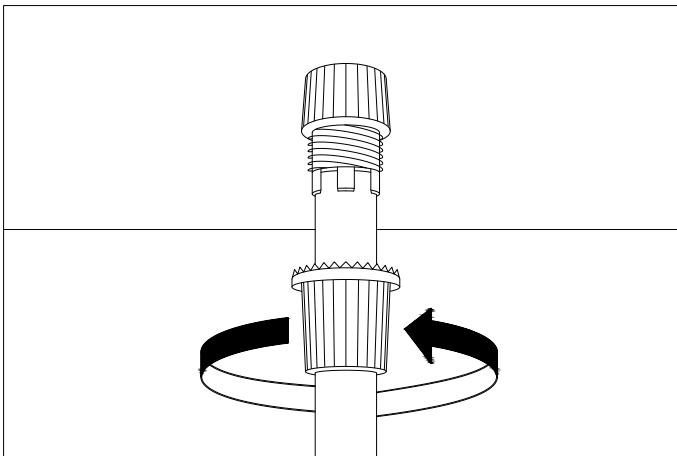
🏠 [www.eichholtz.com](http://www.eichholtz.com)  
✉ [service@eichholtz.com](mailto:service@eichholtz.com)  
☎ +31 (0)252 515 850



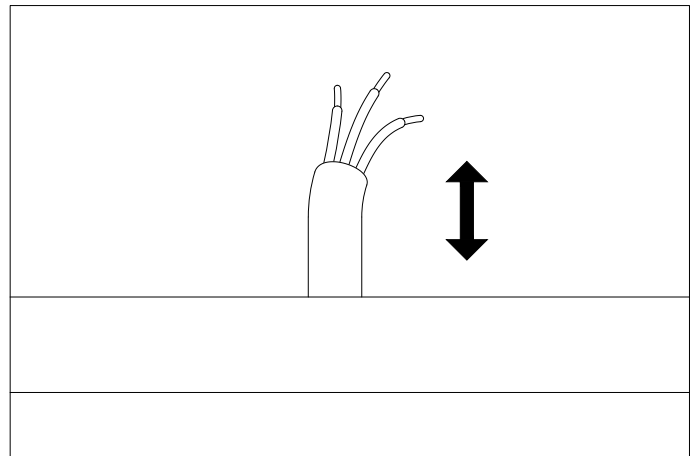
1. Fix the ceiling bracket to the ceiling by using mounting plugs and screws suitable for your ceiling type. Take into account the weight of your luminaire.



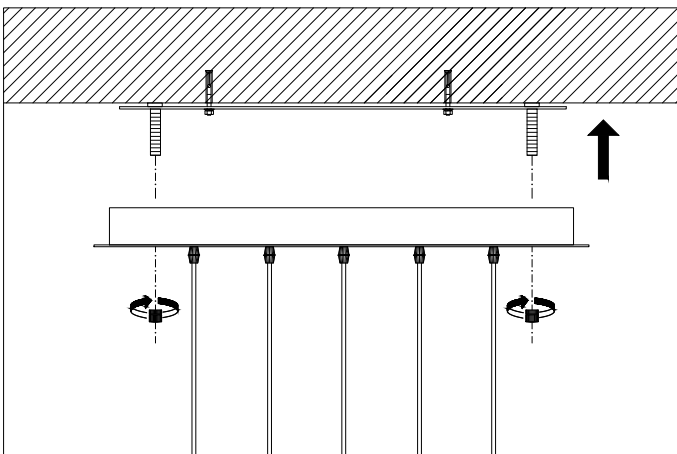
2. Connect the 3 wires according to their colours. Brown is the live wire (L), blue is the neutral wire (N), green/yellow is the earth wire (⚡).



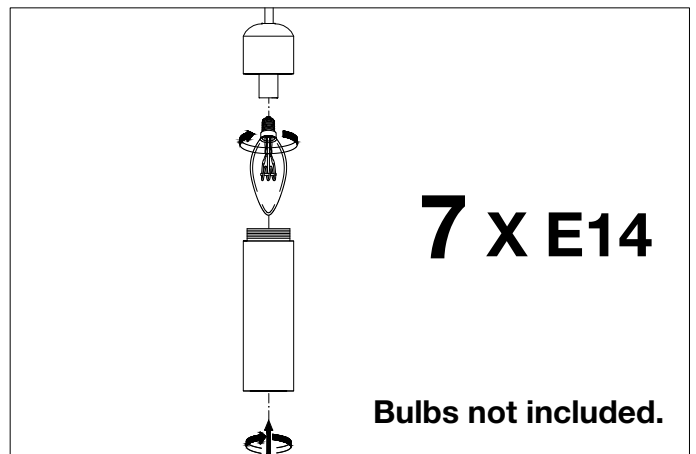
3. Loosen the plastic nut under the ceiling canopy.



4. Pull the wire through until the lamp hangs at your desired height.



5. Place the ceiling canopy over the ceiling plate and fix it securely with the nuts.



6. Place the bulbs and then fix the glass.