

Item type

Chandelier

Item name

Tara

Item number(s)

115656

Attention!

Turn off the electricity supply at the main circuit panel before installing.
Do not connect the electricity supply until your luminaire is fully assembled and installed.

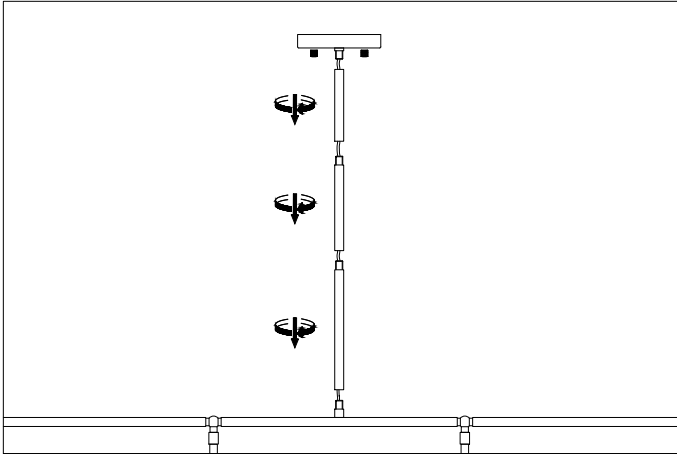
Care instructions:

Wipe with a soft cloth, do not use chemicals or abrasive cleaning materials.

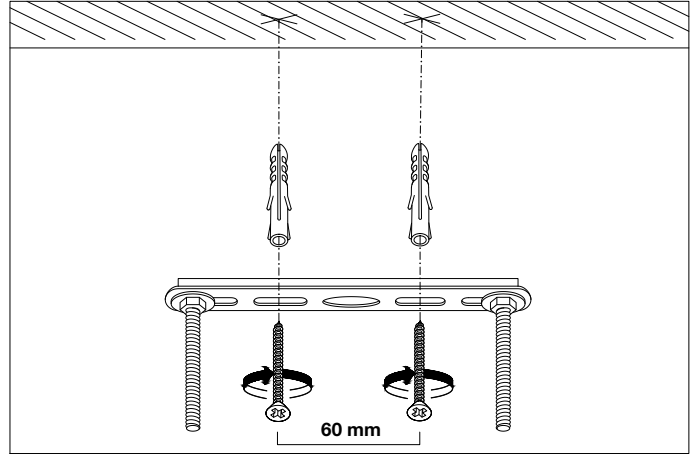
Eichholtz B.V.

Delfweg 52
2211 VN Noordwijkerhout
The Netherlands

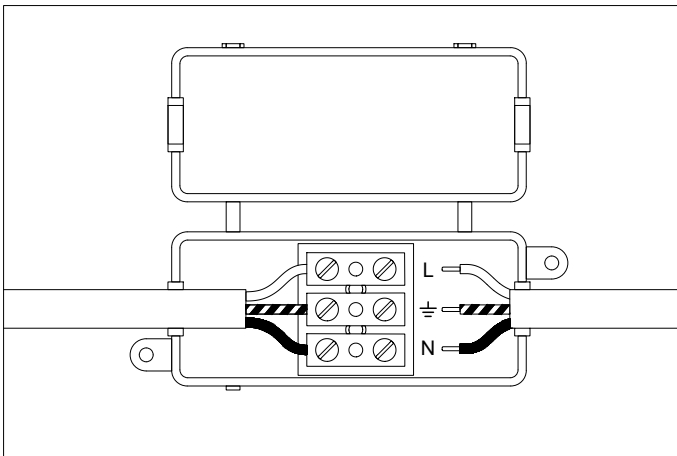
🏠 www.eichholtz.com
✉ service@eichholtz.com
☎ +31 (0)252 515 850



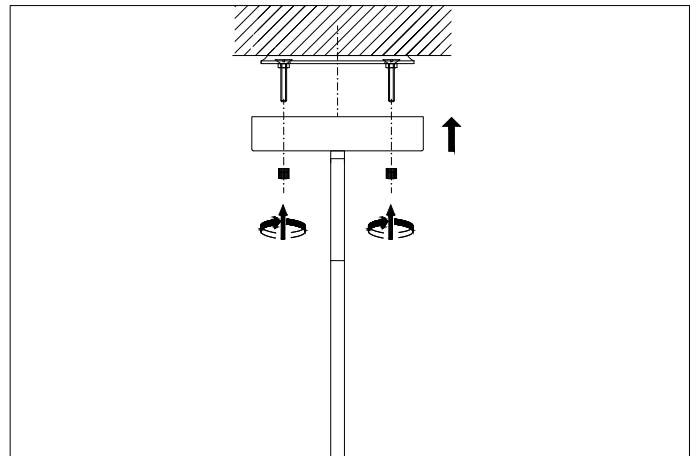
1. Determine the desired height of the lamp and use either one, two or three of the pipes supplied. Thread the wires through the pipes.



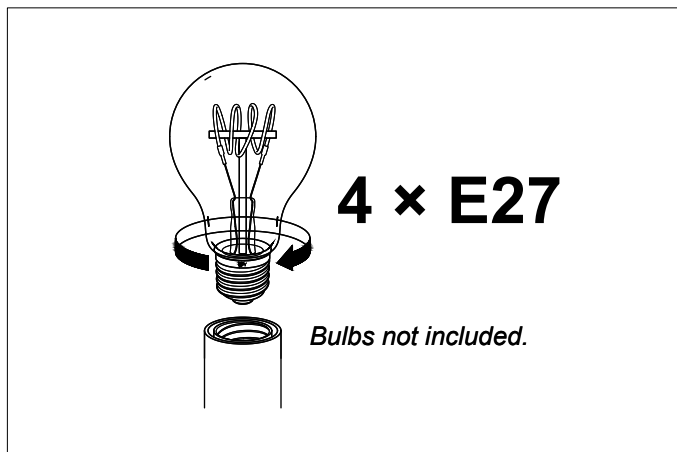
2. Fix the ceiling plate to the ceiling using mounting plugs and screws suitable to your ceiling type.



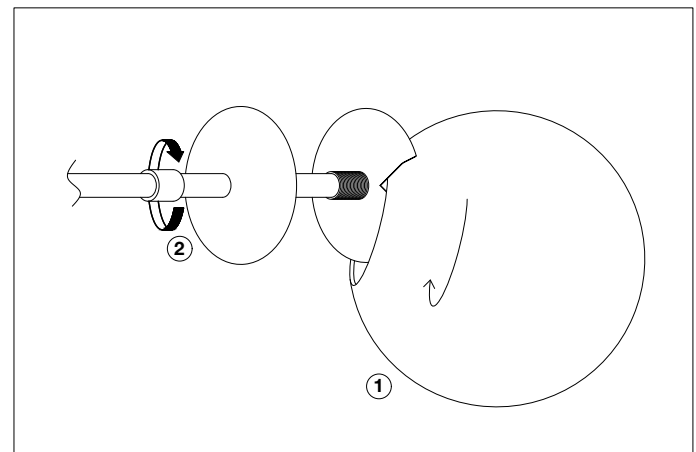
3. Connect the 3 wires according to their colours. Brown is the live wire (L), blue is the neutral wire (N), green/yellow is the earth wire (⊕).



4. Place the ceiling canopy over the ceiling bracket and fix it securely with the two nuts supplied.



5. Place the bulbs.



6. Place the glass.