



**Item type**

Wall Lamp

**Item name**

Amalfi

**Attention!**

Turn off the electricity supply at the main circuit panel before installing.  
Do not connect the electricity supply until your luminaire is fully assembled and installed.

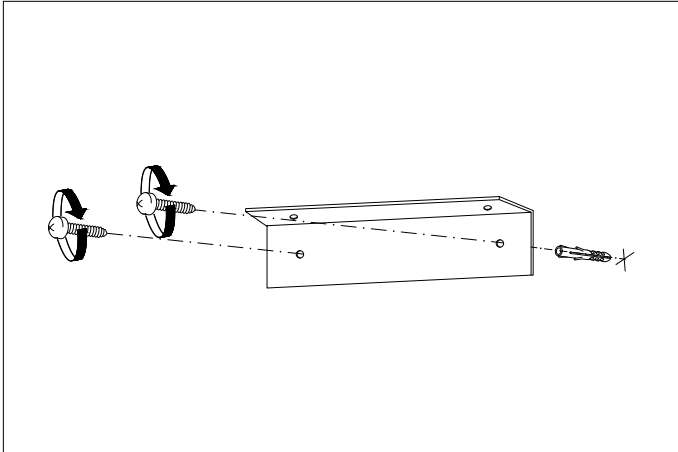
**Care instructions:**

Wipe with a soft cloth, do not use chemicals or abrasive cleaning materials.

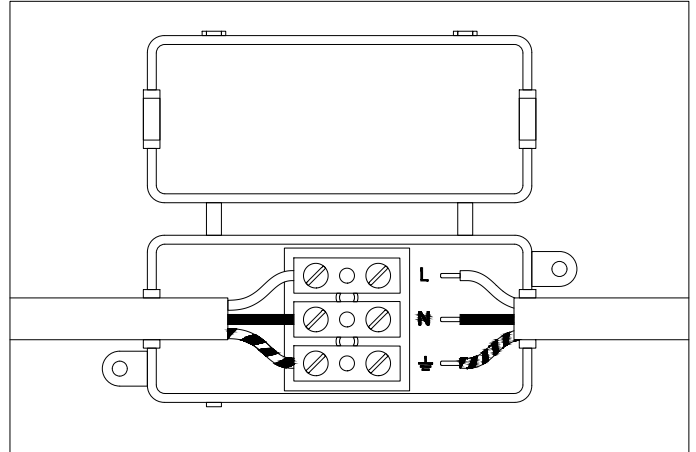
**Eichholtz B.V.**

Delfweg 52  
2211 VN Noordwijkerhout  
The Netherlands

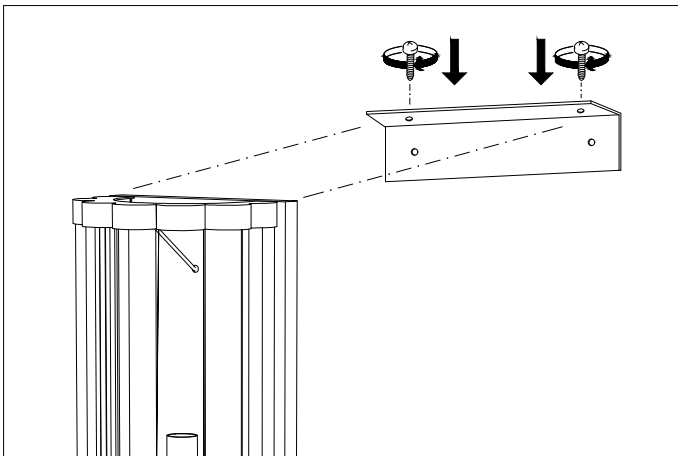
🏠 [www.eichholtz.com](http://www.eichholtz.com)  
✉ [service@eichholtz.com](mailto:service@eichholtz.com)  
☎ +31 (0)252 515 850



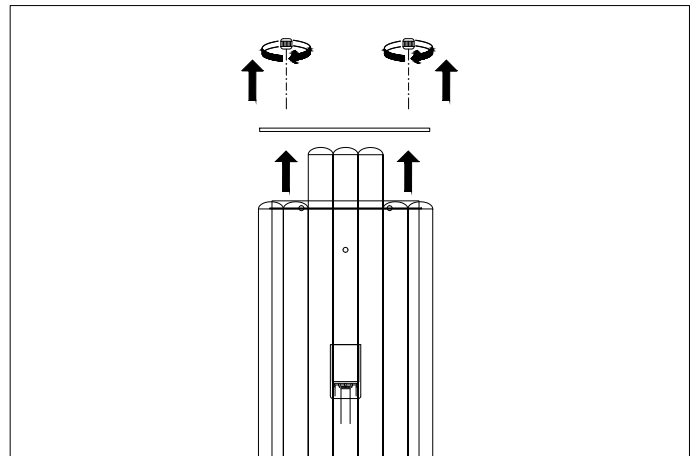
1. Fix the wall plate to the wall.



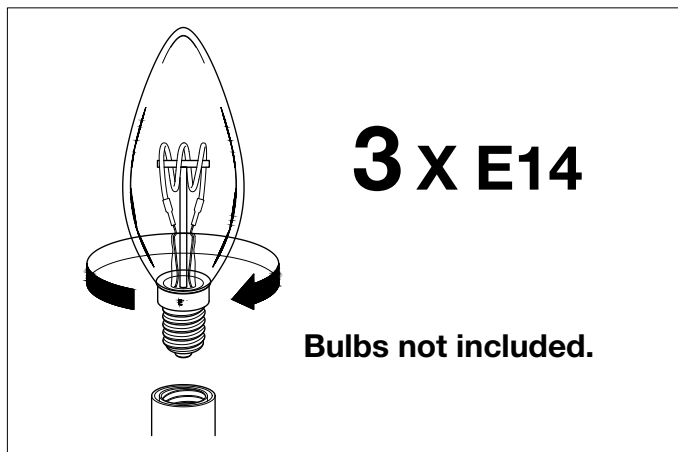
2. Connect the 3 wires according to their colours. Brown is the live wire, blue is the neutral wire, green/yellow is the earth wire.



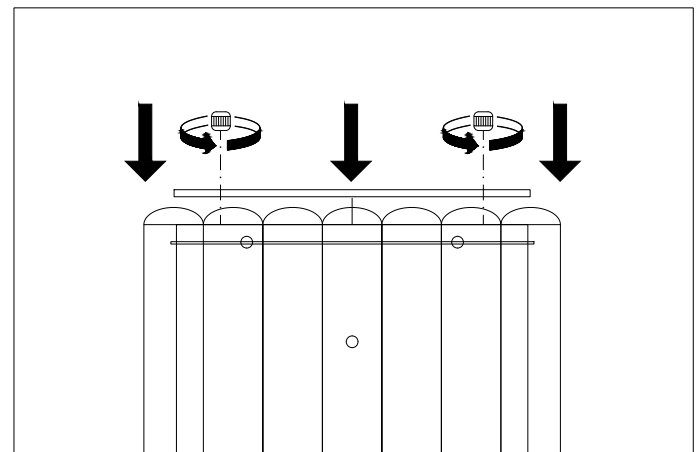
3. Fix the lamp to the wall plate with the two screws.



4. Remove the two cap nuts and the top plate. Then remove the three middle glass tubes.



5. Place the bulbs.



6. Place the three middle glass tubes in their original position and fix the top plate with the cap nuts.