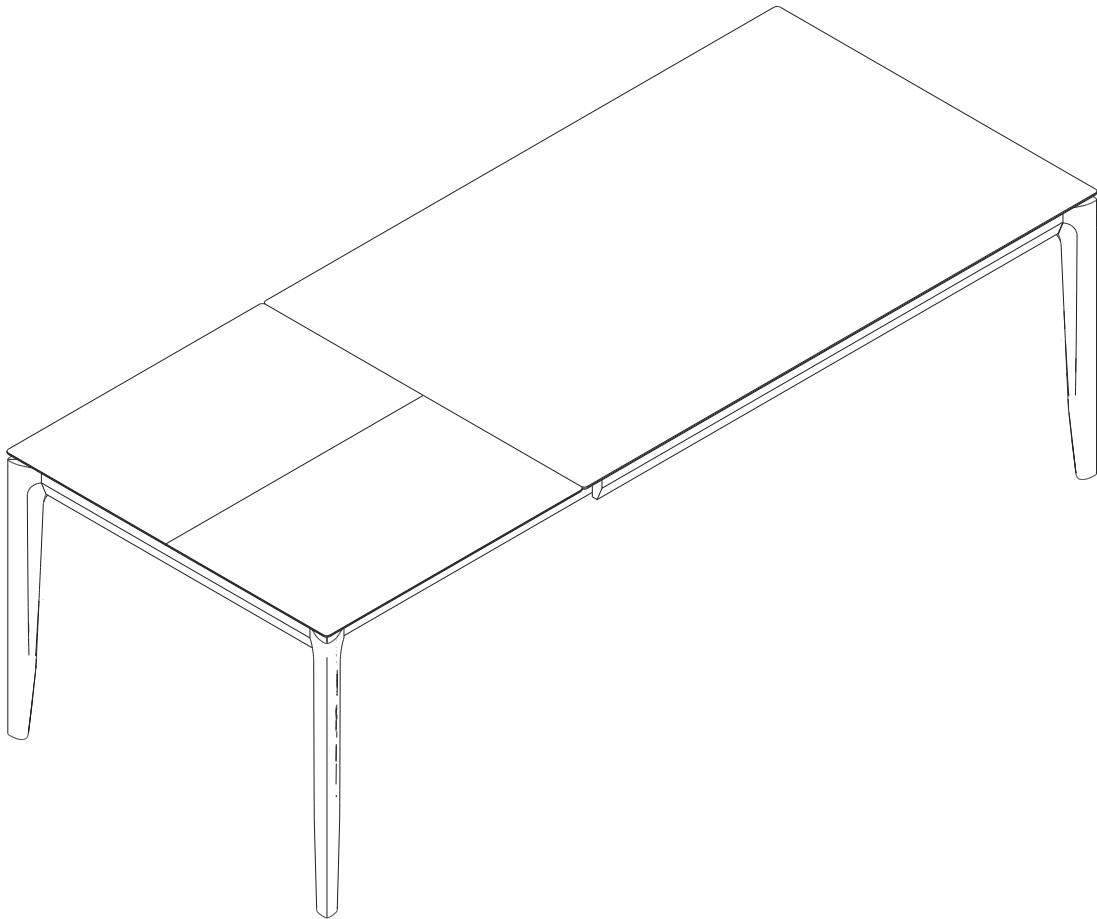


ASSEMBLY INSTRUCTIONS FOR DINING TABLE INSTALLATION

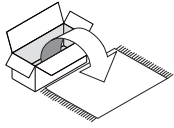
OAK BOK EXTENDABLE DINING TABLE

CODE	DESCRIPTION
51502	OAK BOK EXTENDABLE DINING TABLE 140-220/90/76
51503	OAK BOK EXTENDABLE DINING TABLE 160-240/90/76
51504	OAK BOK EXTENDABLE DINING TABLE 180-280/100/76
51542	OAK BOK BLACK EXTENDABLE DINING TABLE 140-220/90/76
51543	OAK BOK BLACK EXTENDABLE DINING TABLE 160-240/90/76
51544	OAK BOK BLACK EXTENDABLE DINING TABLE 180-280/100/76



OAK BOK EXTENDABLE DINING TABLE ASSEMBLY INSTRUCTIONS FOR DINING TABLE INSTALLATION

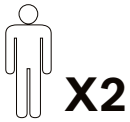
NOTE



- CAREFULLY OPEN THE CARTON,
- REMOVE CONTENTS AND LAY OUT ON CARPET OR THE PACKAGING CARTON BOX OR OTHER PROTECTIVE SURFACE TO AVOID DAMAGE.
- CHECK PACKAGE CONTENTS TO ASSURE ALL THE NECESSARY HARDWARE AND PARTS ARE RECEIVED UNDAMAGED.
- DO NOT USE DAMAGE OR DEFECTIVE PARTS/HARDWARE.
- CONTACT ETHNICRAFT FOR ANY MISSING PART AND /OR HARDWARE.

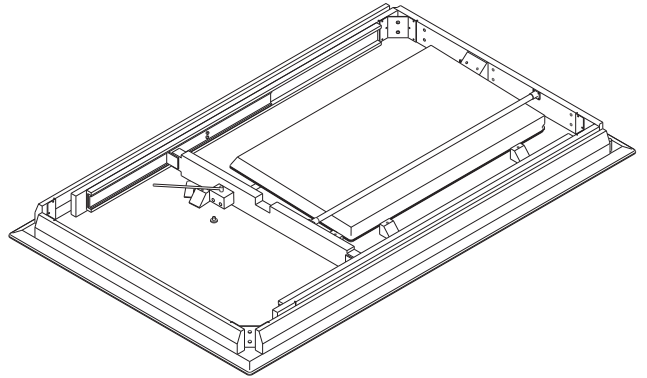


- READ THE ASSEMBLY INSTRUCTION BEFORE INSTALLATION AND CAREFULLY FOLLOW THE INSTRUCTION GIVEN.
- SEEK THE ADVICE OF A PROFESSIONAL IF YOU ARE NOT FAMILIAR WITH THESE INSTALLATIONS OR HAVE ANY DOUBTS ABOUT THE SAFETY OF THIS INSTALLATION.



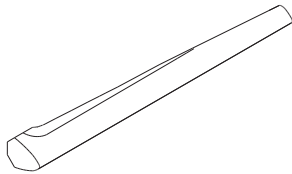
- IT IS ADVISABLE TO DO THIS ASSEMBLY WITH MINIMUM OF 2 PERSONS.
- WHEN LIFTING THE TABLE, MAKE SURE TABLE IS IN UNEXTENDED POSITION.
- LIFT ONLY ON THE APRON.

PARTS TO ASSEMBLE



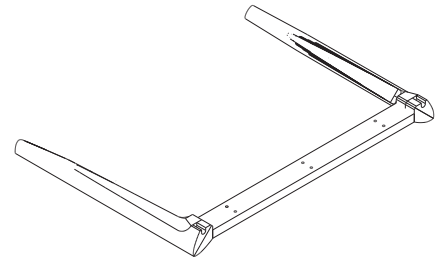
A TABLE TOP 1piece

CODE	DESCRIPTION
P4648	TABLE TOP 140-220/90
P4649	TABLE TOP 160-240/90
P4650	TABLE TOP 180-280/100
P4738	TABLE TOP - BLACK 140-220/90
P4739	TABLE TOP - BLACK 160-240/90
P4740	TABLE TOP - BLACK 180-280/100



C LEG 2pieces

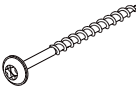
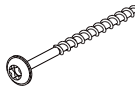


CODE	DESCRIPTION
P4651	LEG
P4741	LEG - BLACK



B LEG WITH APRON 1piece


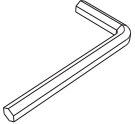
CODE	DESCRIPTION
P4512	LEG WITH APRON 90 DEPTH
P4515	LEG WITH APRON 100 DEPTH
P4742	LEG WITH APRON - BLACK 90 DEPTH
P4743	LEG WITH APRON - BLACK 100 DEPTH

HARDWARE ENCLOSED

 H0689 SPAX SCREW M6x80 (4pcs)	 H0849 SPAX SCREW M6x120 (4pcs)
 H2069 SCREW M6x40 (6pcs)	 H0383 WASHER M8 (8pcs)

TOOL

(Included in packaged)

 H0893 TORX KEY (1pc)
 H0745 L KEY (1pc)

SYMBOLS



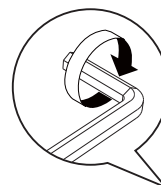
DIRECTION



NUMBER OF PERSONS NEEDED



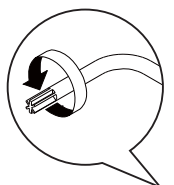
USE HAND



USE L KEY TO TIGHTEN



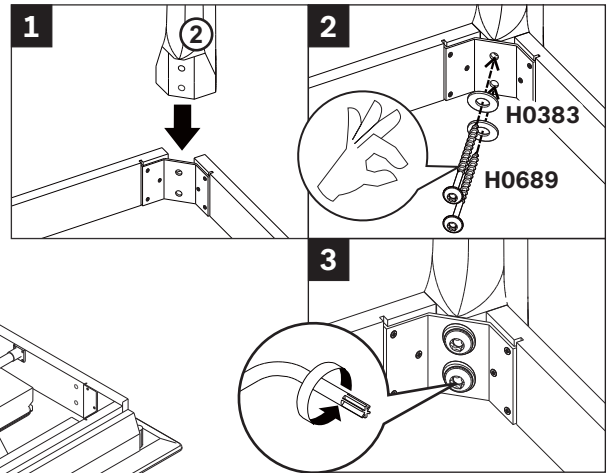
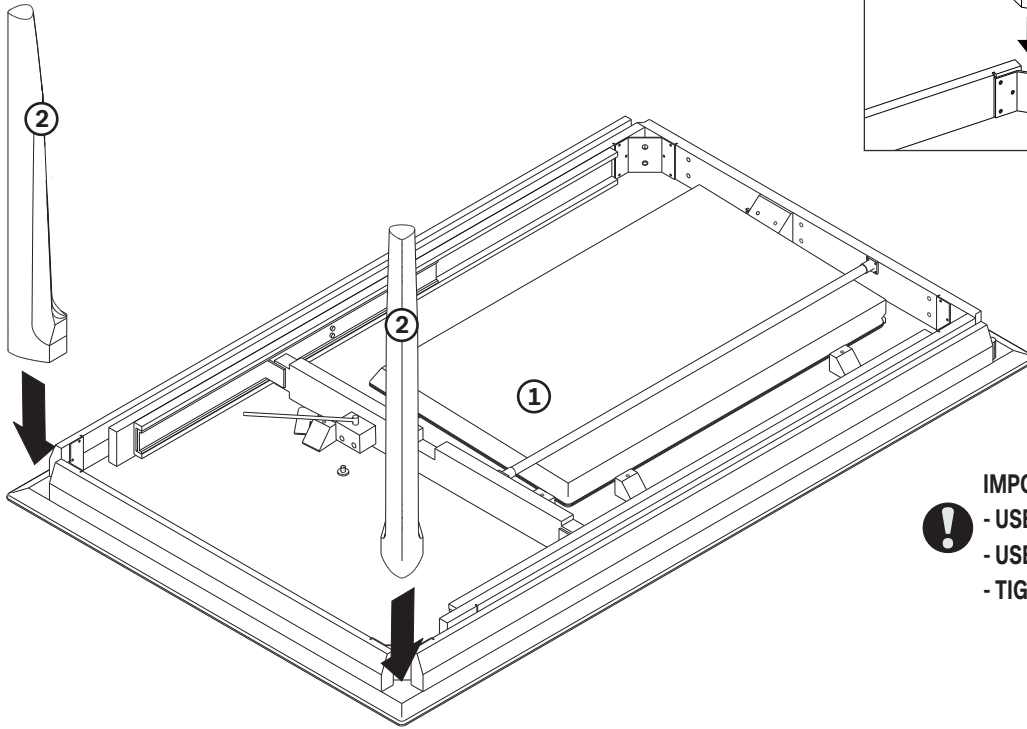
USE SCREWDRIVER



USE TORX KEY TO TIGHTEN

OAK BOK EXTENDABLE DINING TABLE ASSEMBLY INSTRUCTIONS FOR DINING TABLE INSTALLATION

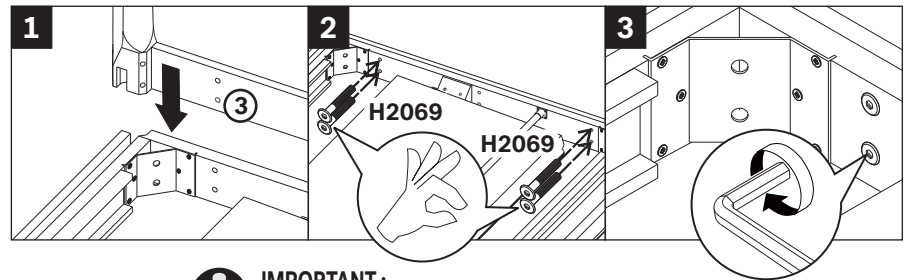
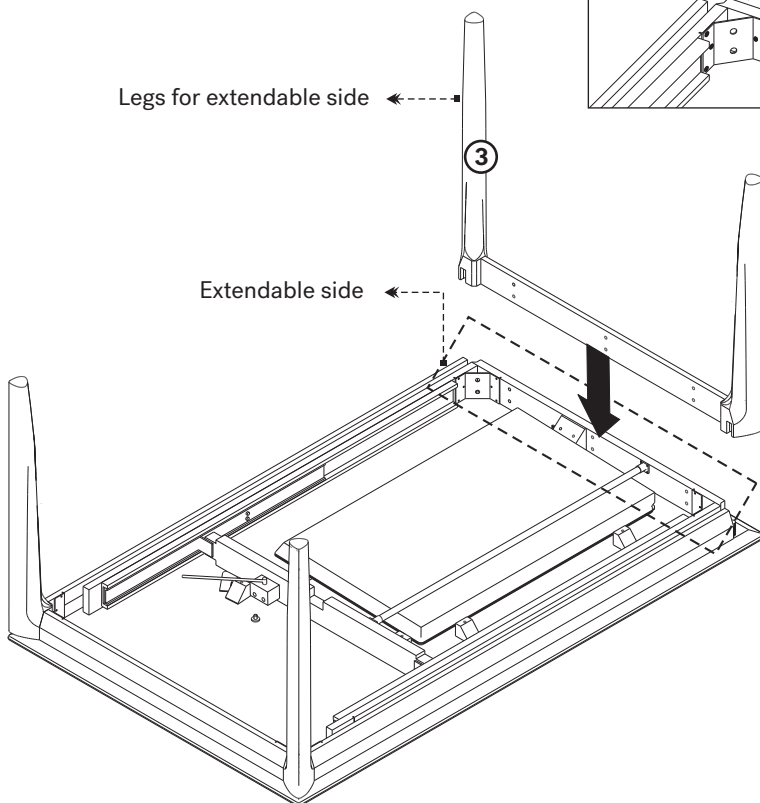
A. INSTALLING THE LEGS TO TABLE TOP



IMPORTANT :

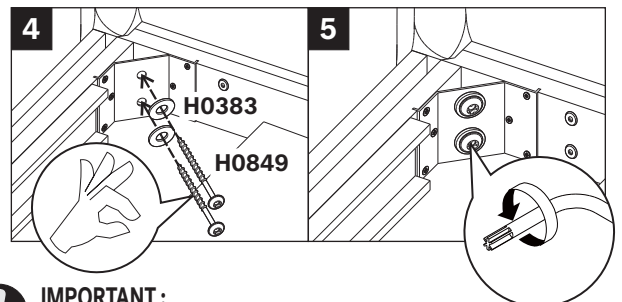
- USE WASHER M8
- USE SPAX SCREW M6x80 FOR THE FIXED LEGS
- TIGHTEN FULLY

B. INSTALLING LEG SET TO TABLE TOP



IMPORTANT :

- INSTALL SCREWS M6x40 ON THE RIGHT & LEFT SIDE OF APRON FIRST
- MIDDLE SCREWS ON APRON ARE INSTALLED AFTER TABLE IS IN STANDING POSITION
- DO NOT FULLY TIGHTEN

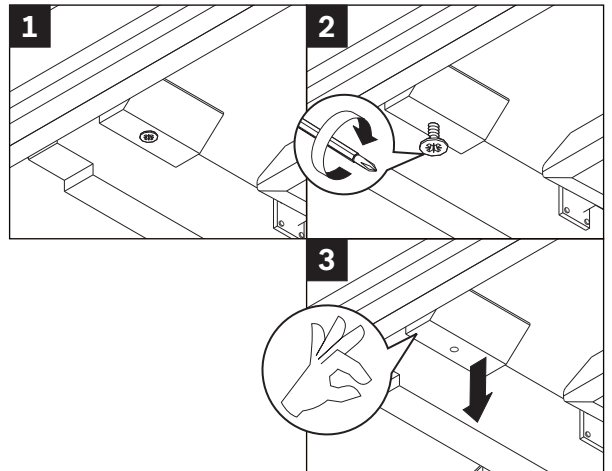
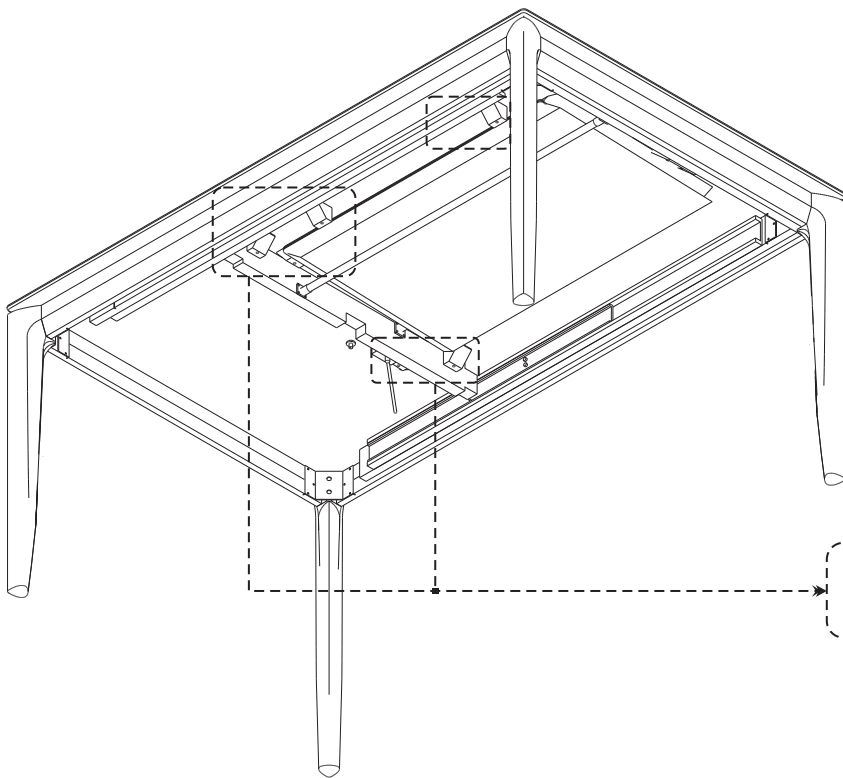


IMPORTANT :

- USE WASHER M8
- USE SPAX SCREW M6x120 FOR THE EXTENDABLE LEGS
- TIGHTEN FULLY ALL SCREWS

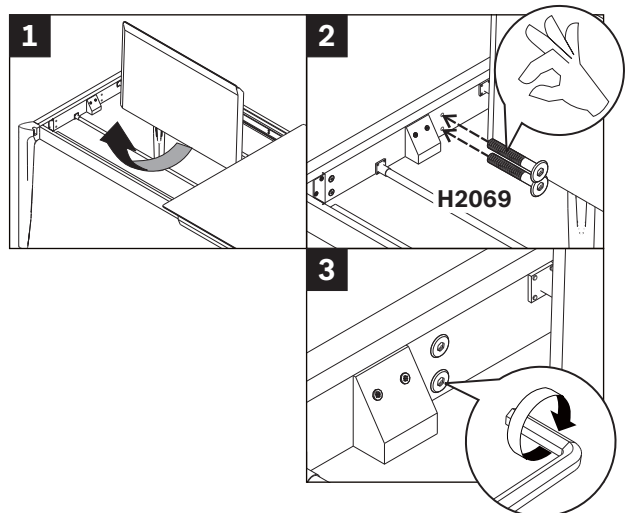
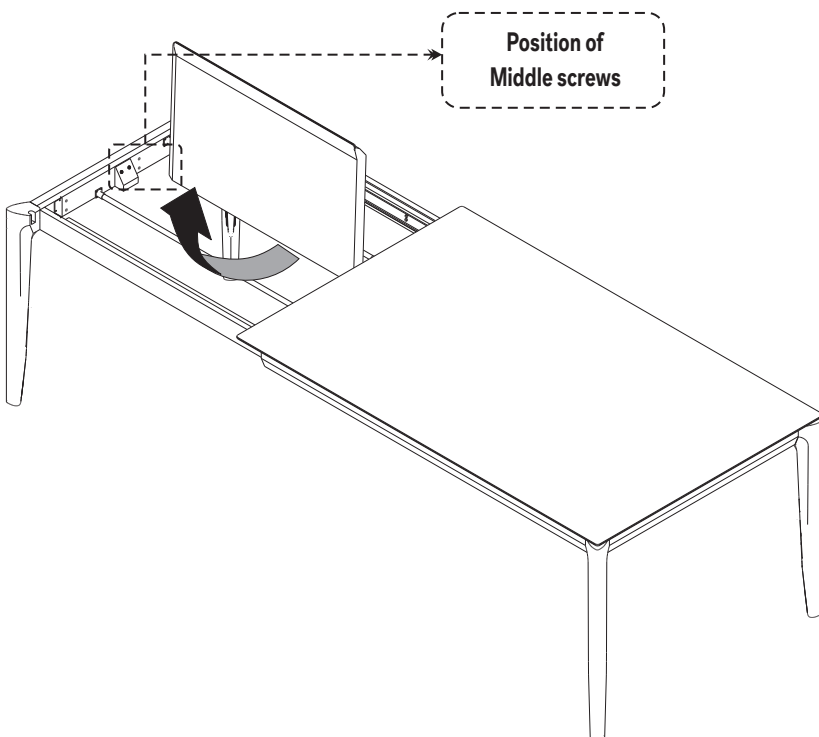
OAK BOK EXTENDABLE DINING TABLE ASSEMBLY INSTRUCTIONS FOR DINING TABLE INSTALLATION

C. REMOVE WOODEN PIECES



! REMOVE WOODEN PIECES BEFORE EXTENDING THE TABLE

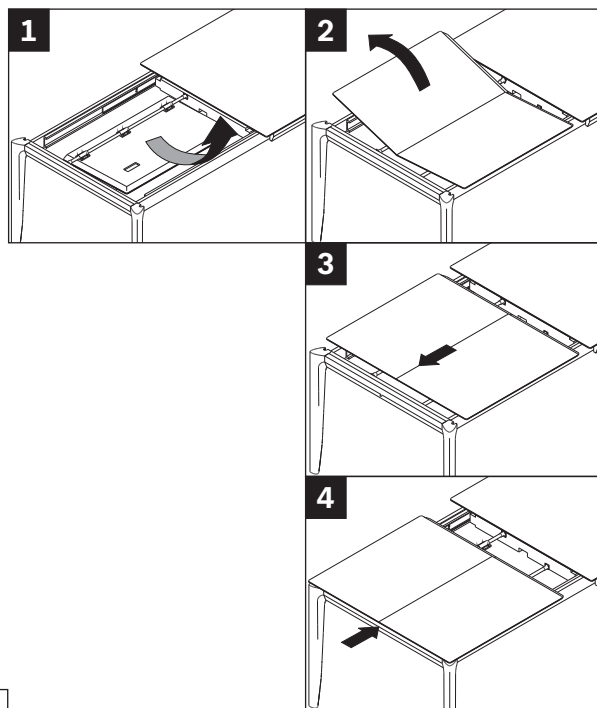
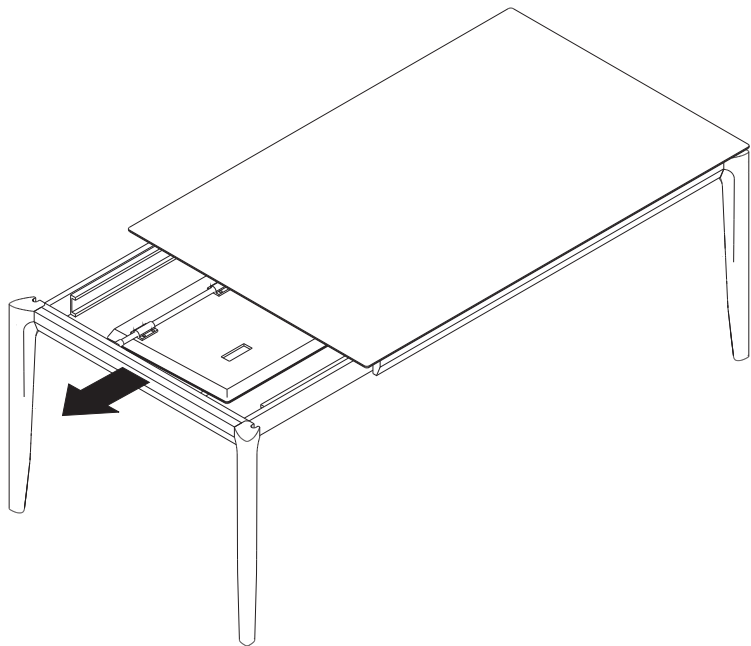
D. INSTALLING SCREW IN THE MIDDLE SIDE



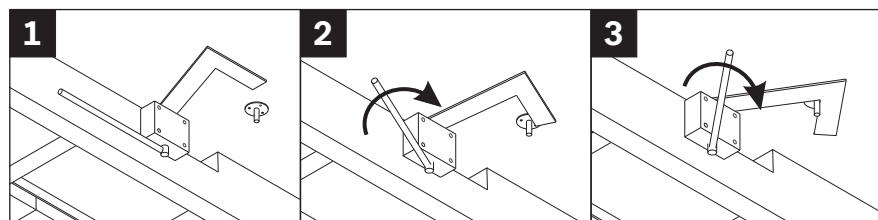
! - ONE PERSON HOLD THE EXTENSION LEAVES
- USE SCREW M6x40
- TIGHTEN FULLY ALL SCREWS

OAK BOK EXTENDABLE DINING TABLE ASSEMBLY INSTRUCTIONS FOR DINING TABLE INSTALLATION

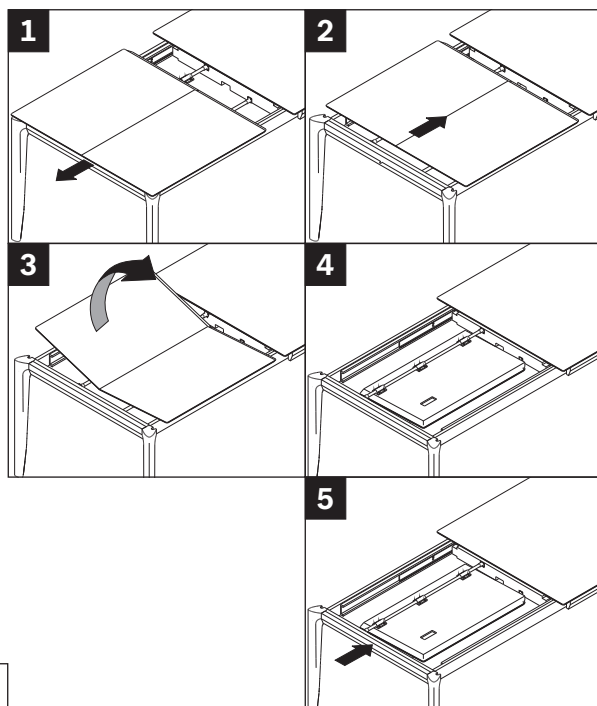
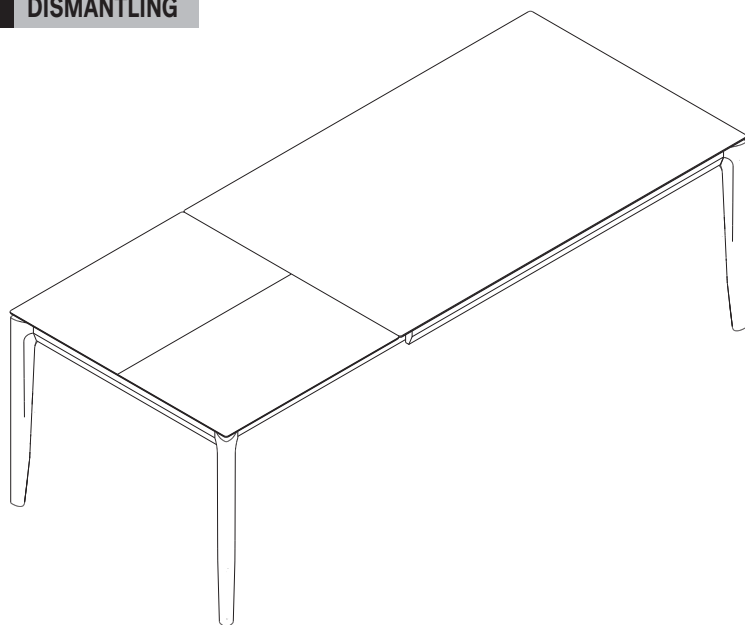
E. EXTENDING



NOTE: LOCK AFTER EXTENDING



F. DISMANTLING



NOTE: UNLOCK BEFORE DISMANTLING

