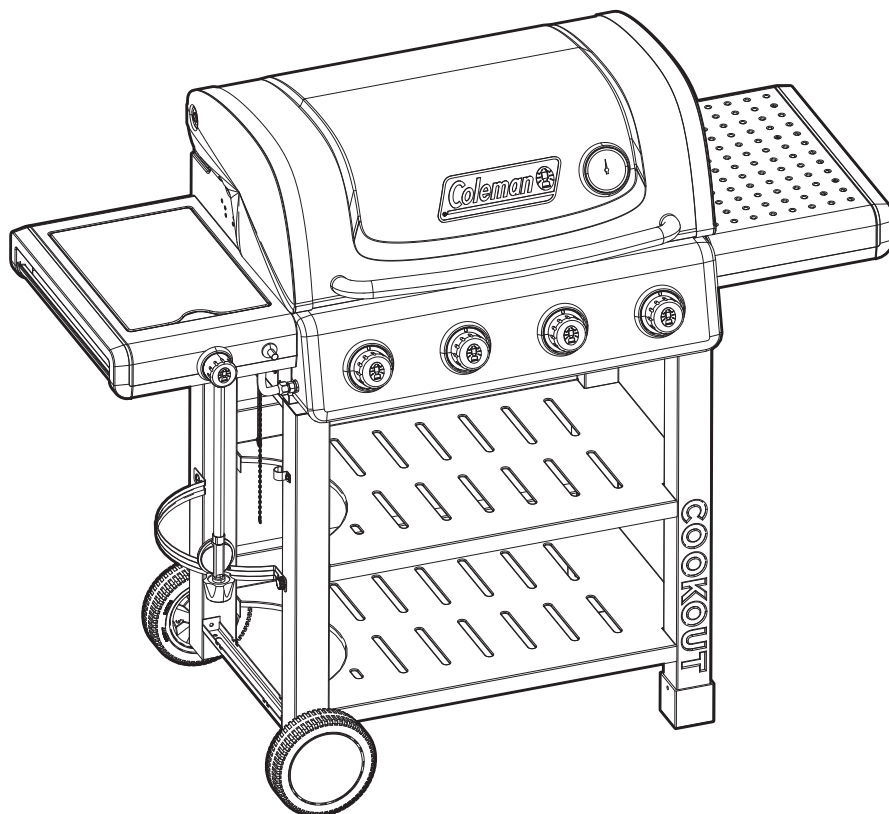




COOKOUT™

4 BURNER BARBECUE



ASSEMBLY MANUAL

085-3182-6 (G43290) Propane Barbecue

LIMITED 2-YEAR WARRANTY

Read and save manual for future reference.

Assemble your grill immediately. Missing or damaged parts should be claimed within 30 days of purchase.

For product inquiries, parts, warranty and troubleshooting support, please call 1-800-275-4617.



HEAVY ARTICLE : NEEDS 2 TO LIFT

THIS MANUAL MUST REMAIN WITH THE PRODUCT AT ALL TIMES

To order non-warranty replacement parts or accessories,
or to register your warranty, please visit us on the web at
www.colemanbbqs.com

⚠ CAUTION

Sharp edges. Wear gloves when assembling your barbecue.

⚠ CAUTION

Read and follow all safety statements, assembly instructions, use and care directions before attempting to assemble and cook.

⚠ INSTALLER OR ASSEMBLER/ CONSUMER

This manual should be kept with the barbecue at all times.

⚠ WARNING

Failure to follow all of the Manufacturer's instructions could result in hazardous fires, explosions, property damage, or serious personal injury or even death.

Follow all leak check procedures carefully prior to operation of barbecue, even if grill was dealer assembled. Do not try to light this barbecue without reading the Lighting Instructions section of this manual.

⚠ DANGER

1. If you smell gas:
 - a. Shut off gas to the appliance
 - b. Extinguish any open flame
 - c. Open lid
 - d. If odour continues, keep away from the appliance and immediately call your gas supplier or your fire department
 2. Requires two people to complete the assembly process.
 3. Beware of sharp edges.
-

⚠ WARNING

1. Do not store or use gasoline or other flammable liquids or vapours in the vicinity of this or any other appliance.
 2. An LP cylinder not connected for use shall not be stored in the vicinity of this or any other appliance.
-

⚠ WARNING

IN DIRECT SUN, AND IN OPERATION, YOUR BARBECUE'S STAINLESS STEEL AND PAINTED STEEL PARTS CAN BECOME VERY HOT.

THIS BARBECUE IS FOR OUTDOOR USE ONLY
FOR MISSING PARTS OR DAMAGES CALL
1-800-275-4617



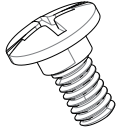


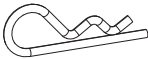




HARDWARE PACK

TOOLS NEEDED FOR ASSEMBLY

- #2 Phillips screwdriver (long and short)
- 1/4" Slotted screwdriver (long and short)
- Adjustable wrench
- Pliers

No.	Description	Part Number	Qty.
1	1/4"-20UNC x 13 Screw	20120-13013-250	41
2	NO.10 x 10 Screw	20124-10010-250	4
3	Screw, Gas Tank Support	G466-0007-9000	1
4	Wheel Bushing	G305-0024-9088	2
5	Wheel Washer	40300-08000-036	1
6	Hitch Pin	G306-0005-9088	1
7	NO.8-32UNC x 10 Screw	20132-08010-250	2
8	M4 Wing Nut	33301-04000-032	1
9	Washer	G466-0042-9000	1
10	Hose clip	G351-0043-9000	1

⚠ Caution:
Sheet metal can cause injury. Wear gloves when installing the grill.

1		2		3	
	1/4"-20UNC x 13 Screw X 41		NO.10 x 10 Screw X 4		Screw, Gas Tank Support X 1
4		5		6	
	Wheel Spacer X 2		Wheel Washer X 1		Hitch Pin X 1
7		8		9	
	NO.8-32UNC x 10 Screw X 2		M4 Wing Nut X 1		Washer X 1
10					
	Hose clip X 1				

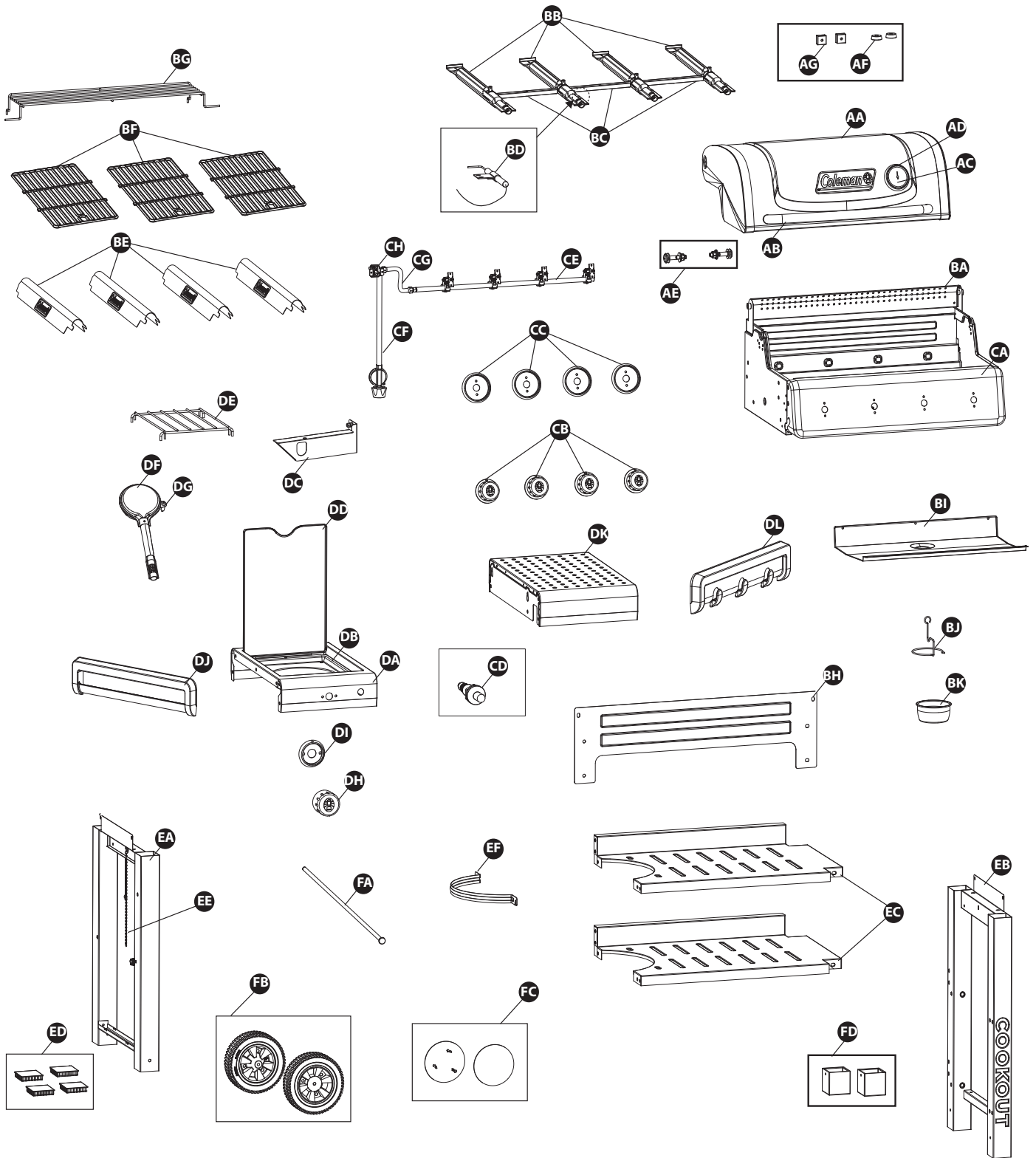
BEFORE ASSEMBLING THIS BARBECUE, READ THE INSTRUCTIONS CAREFULLY.

Assemble the barbecue on a flat, clean surface. Grill is heavy. Two people are recommended to assemble this barbecue.

PARTS LIST FOR 085-3182-6 (G43290)

Item No.	Qty.	Description	Part No.	Item No.	Qty.	Description	Part No.
AA	1	Top Lid Assembly	G432-EC00-01	EA	2	Cart Side, Left	G451-2F00-01
AB	1	Lid Handle	G432-008C-01	EB	1	Cart Side, Right	G451-2G00-01
AC	1	Thermometer	G451-0094-01	EC	2	Shelves	G432-0F00-01
AD	1	Thermometer Bezel	G451-000C-01	ED	4	Cart Leg Cap	G451-X701-01
AE	2	Screw, Top Lid	G309-0008-01	EE	1	Match Holder	G401-0079-01
AF	2	Lid Bumper, Front	G527-0002-01	EF	1	Gas Tank Support	G451-X702-01
AG	2	Lid Bumper, Rear	G451-0098-01				
BA	1	Burner Box Assembly	G432-OK00-01	FA	1	Wheel Axle	G451-000G-01
BB	4	Main Burner	G451-Y400-01	FB	2	Wheel	G319-0014-01
BC	3	Carryover Assembly	G451-0041-01	FC	2	Wheel Cap	G451-000F-01
BD	1	Electrode Set, Main Burner	G451-000H-01	FD	2	Feet	G451-000E-01
BE	4	Heat Plate	G451-0040-01	G1	1	Hardware Pack	G432-B088-01
BF	3	Cooking Grate	G432-002D-01	G2	1	Assembly Manual	G432-M090-01
BG	1	Warming Rack	G432-009C-01	G3	1	Safe Use and Care Manual	G451-M049-02
BH	1	Upper Back Panel	G432-004D-01				
BI	1	Heat Shield - Tank	G432-Q101-01				
BJ	1	Grease cup hook	G305-0043-01				
BK	1	Grease Cup, Burner Box	G430-0033-02				
CA	1	Control Panel	G432-ED01-01				
CB	4	Control Knob	G451-0099-01				
CC	4	Control Knob Bezel	G451-000A-01				
CD	1	Ignitor	G432-003D-01				
CE	1	Manifold Assembly	G432-EN00-01				
CF	1	Regulator	G432-EG01-01				
CG	1	Side Burner Metal Hose	G432-1102-01				
CH	1	Side Burner Valve	G432-EG02-01				
DA	1	Side Burner Shelf Table, Left	G432-0D00-01				
DB	1	Side Burner Drip Pan	G459-0010-01				
DC	1	Side Burner Support Brace	G432-OG00-01				
DD	1	Side Burner Lid	G432-EJ01-01				
DE	1	Side Burner Cooking Grate	G432-008D-01				
DF	1	Side Burner	G432-0E00-01				
DG	1	Side Burner Electrode Set	G432-009D-01				
DH	1	Side Burner Control Knob	G432-005D-01				
DI	1	Side Burner Control Knob Bezel	G432-006D-01				
DJ	1	Towel Holder	G451-X601-01				
DK	1	Side Shelf, Right	G451-2D00-01				
DL	1	Tool Holder	G451-X501-01				

EXPLODED DIAGRAM FOR 085-3182-6 (G43290)

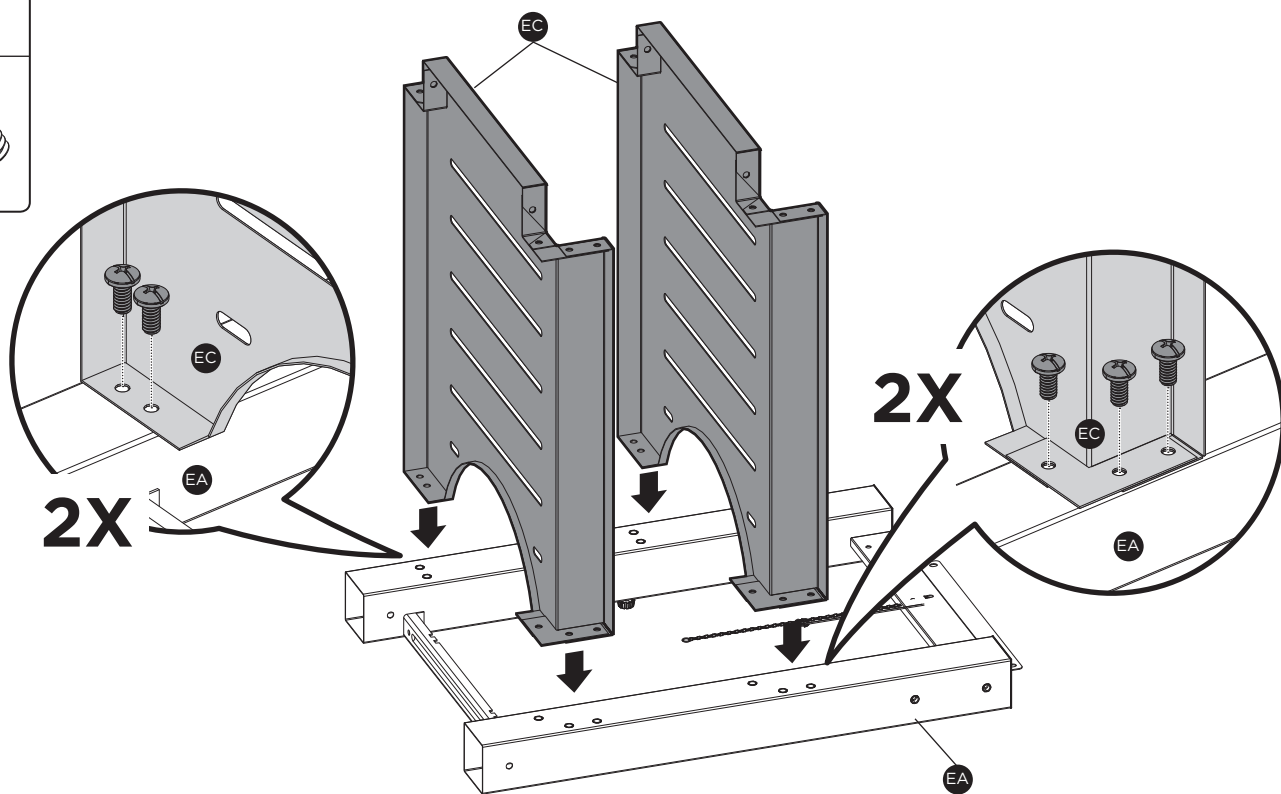
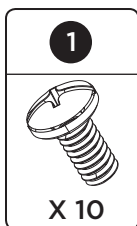


Extras

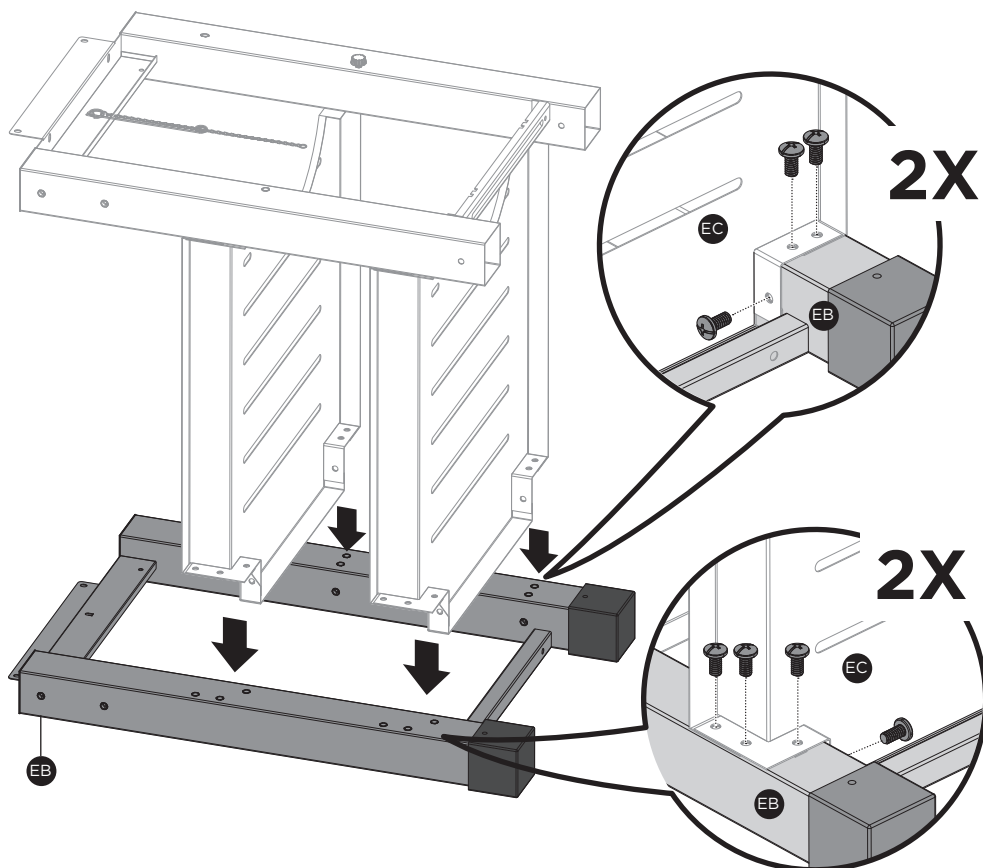
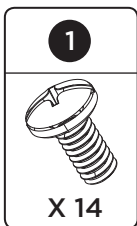
Hardware Pack G1	Assembly Manual G2	Safe Use & Care Manual G3
----------------------------	------------------------------	-------------------------------------

ASSEMBLY INSTRUCTIONS

1






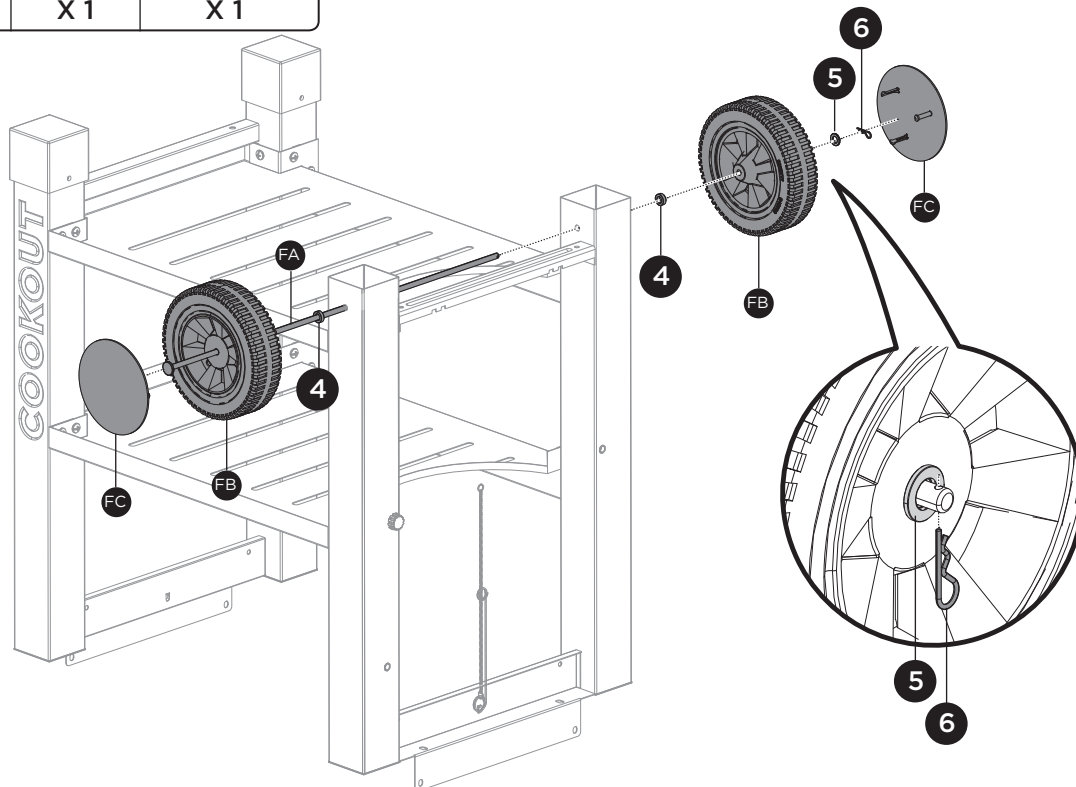
2



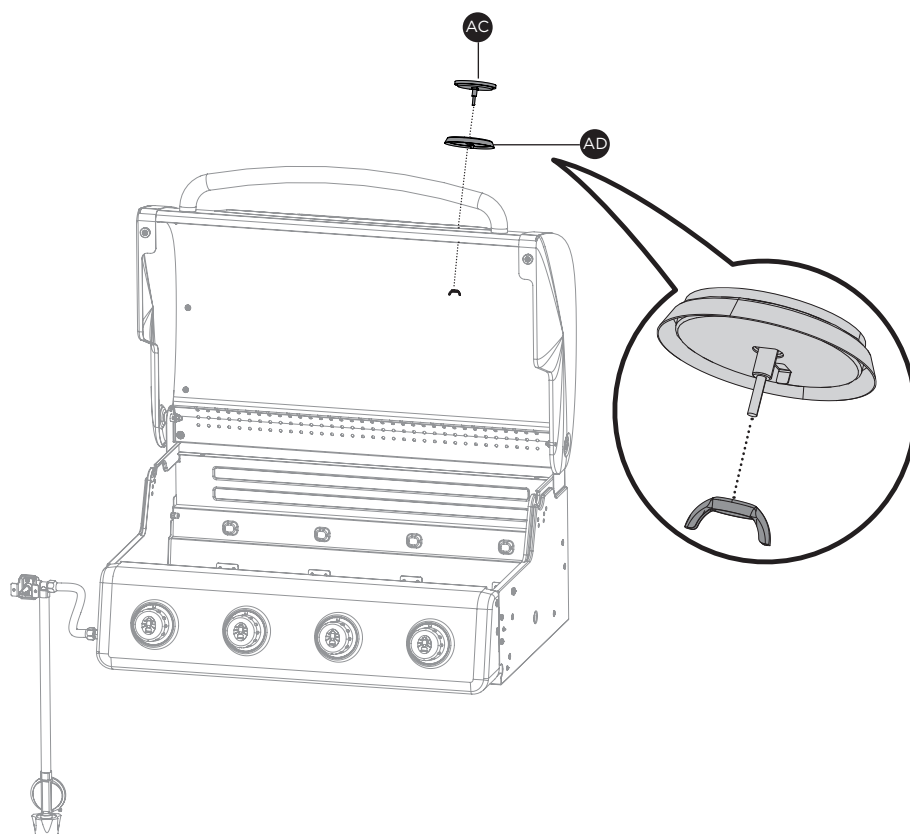
ASSEMBLY INSTRUCTIONS

3

4	5	6
		
X 2	X 1	X 1



4



ASSEMBLY INSTRUCTIONS

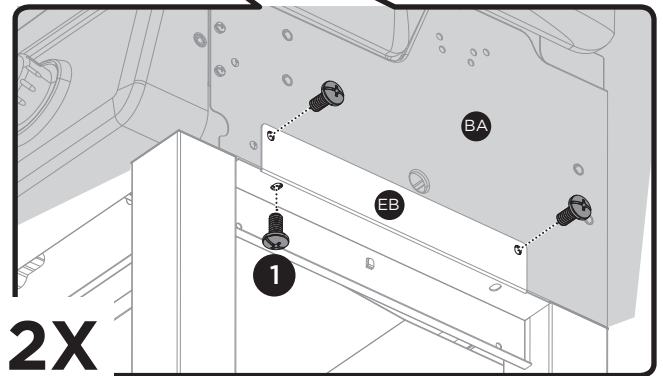
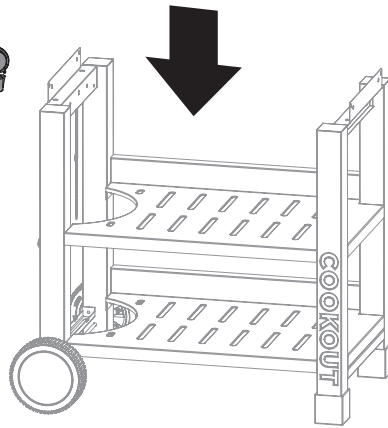
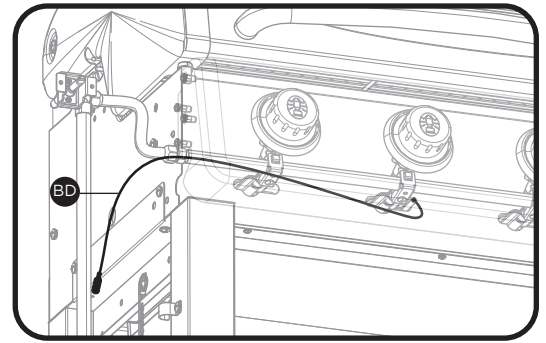
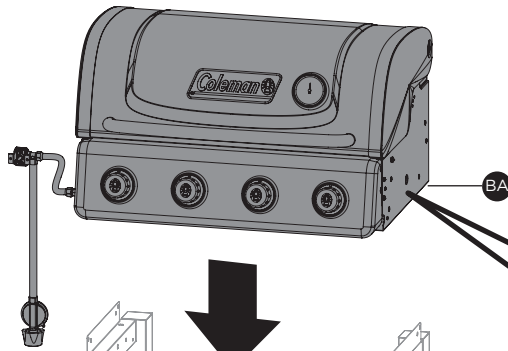
5

Attention: Feed the electrode set (BD) attached to the main burner, through the hole on the left side of the burner box.

1



X 6



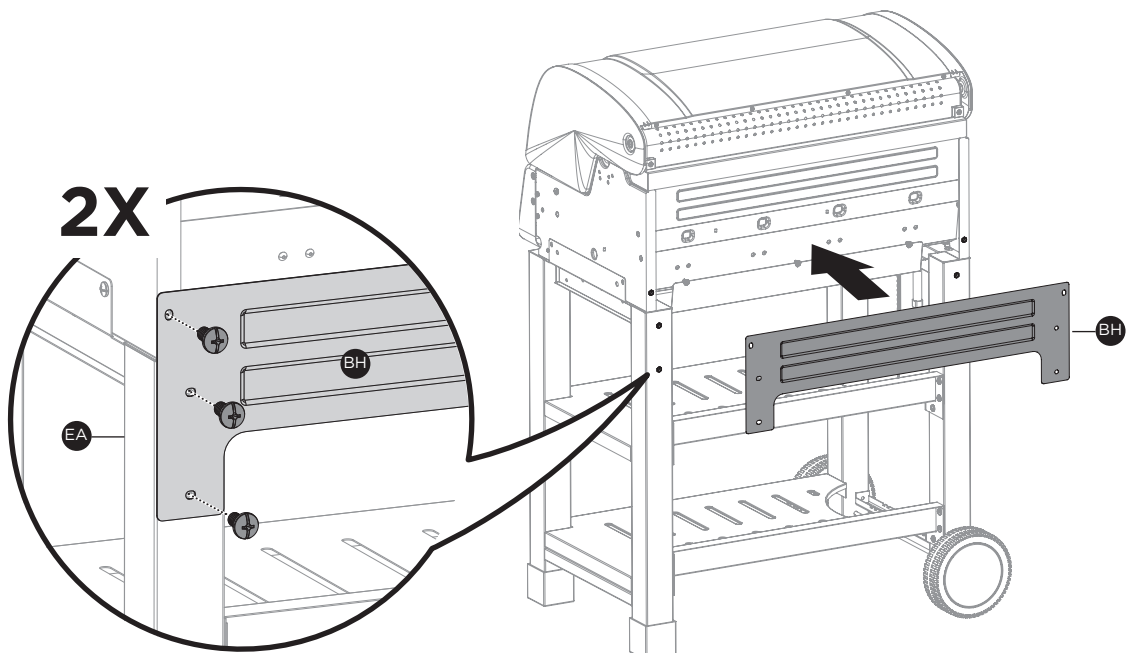
2X

6

1



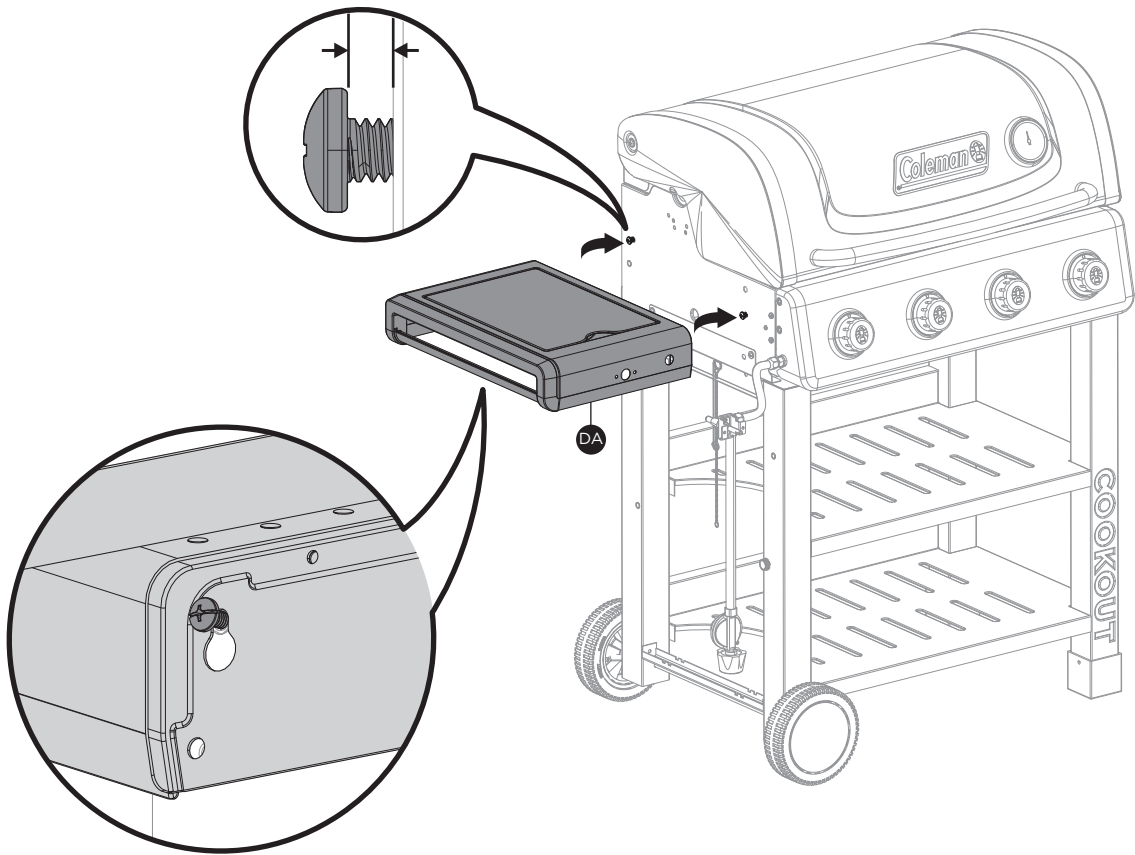
X 6



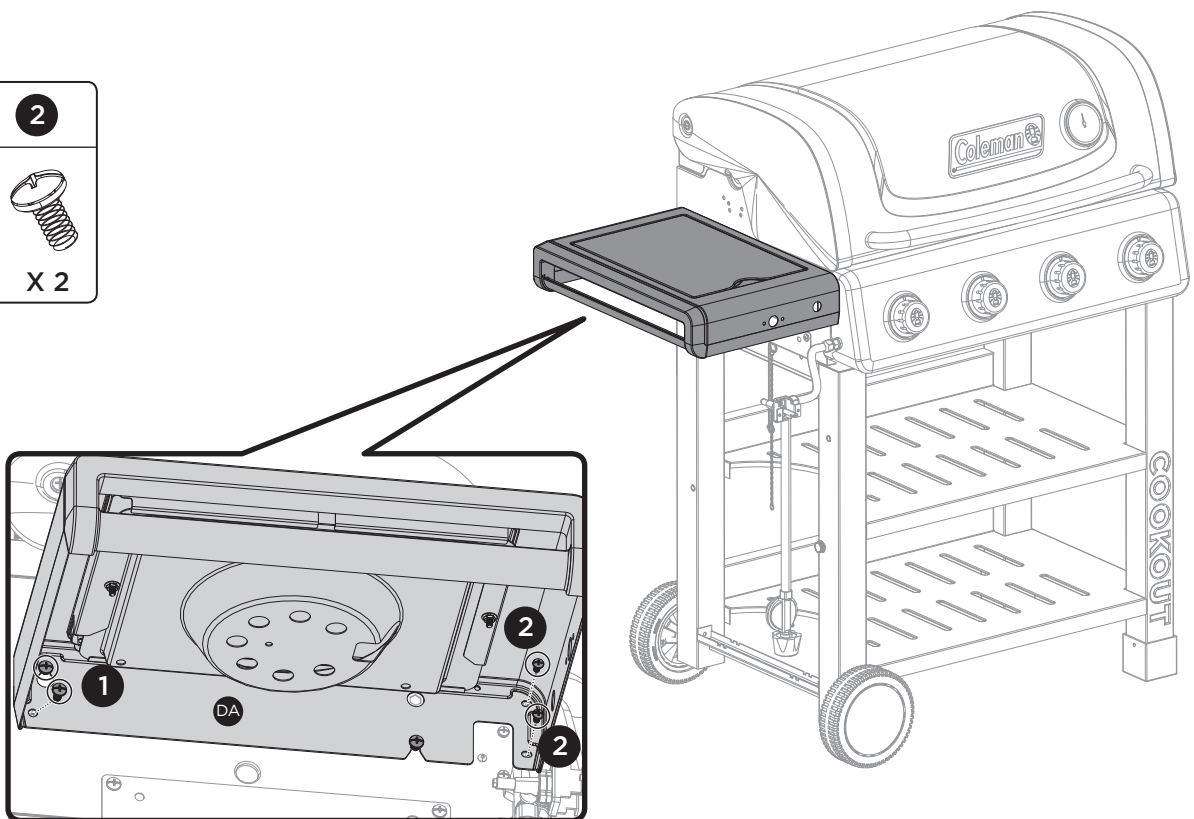
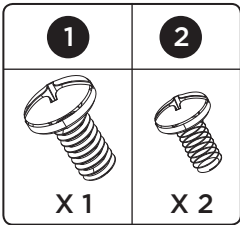
2X

ASSEMBLY INSTRUCTIONS

7A



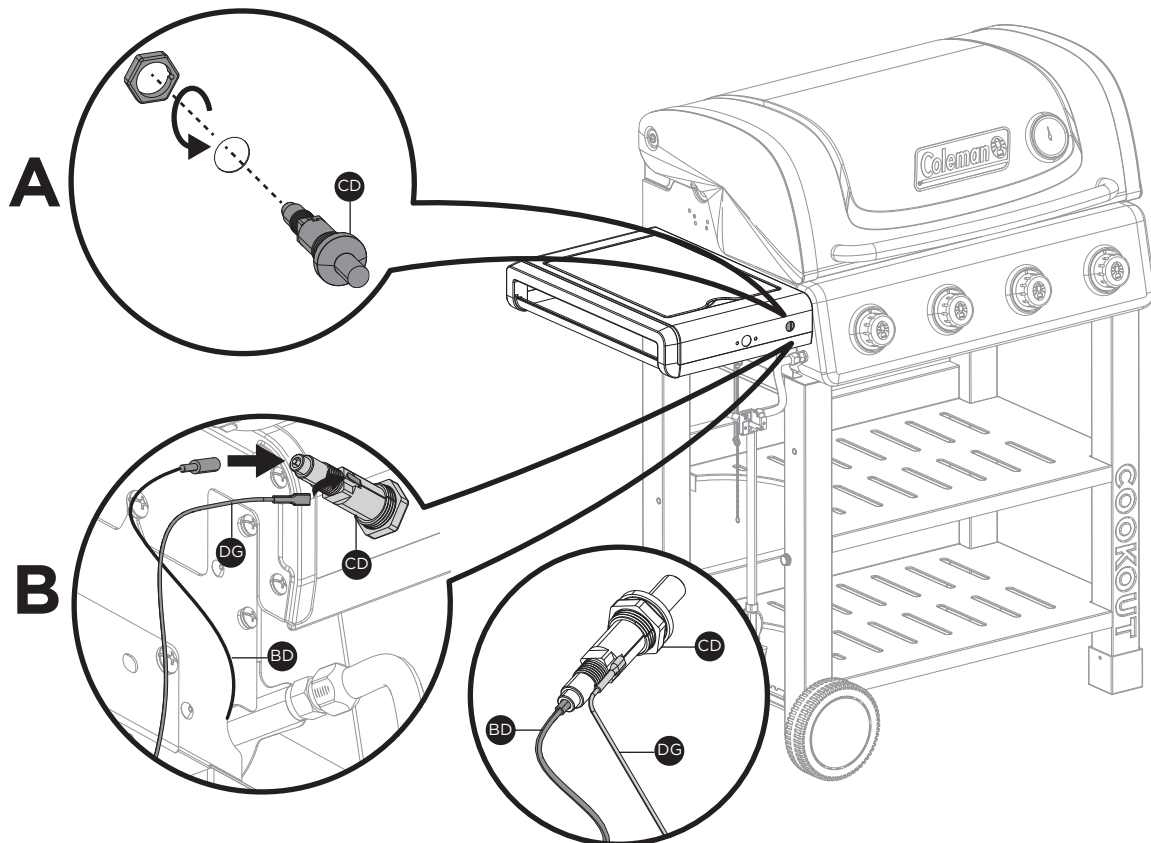
7B



ATTENTION: TIGHTEN ALL HIGHLIGHTED SCREWS.

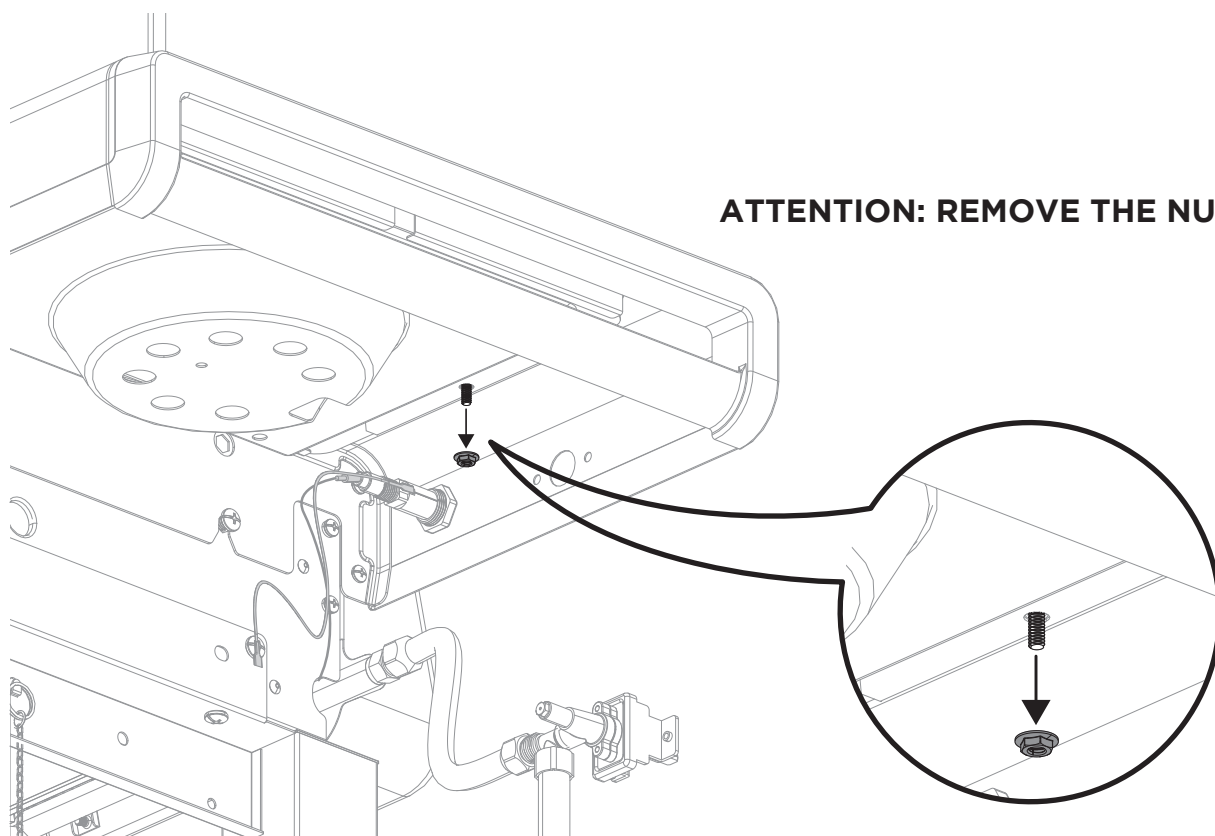
ASSEMBLY INSTRUCTIONS

8



ATTENTION: Figure B illustrates how to connect the electrode set, main burner (BD) and the side burner electrode wire (DG) to the ignitor (CD). Locate both wires on the left side of the burner box. The side burner electrode wire (DG) has a black connector which connects to the ignitor (CD) and a red connector which will be assembled in step 11.

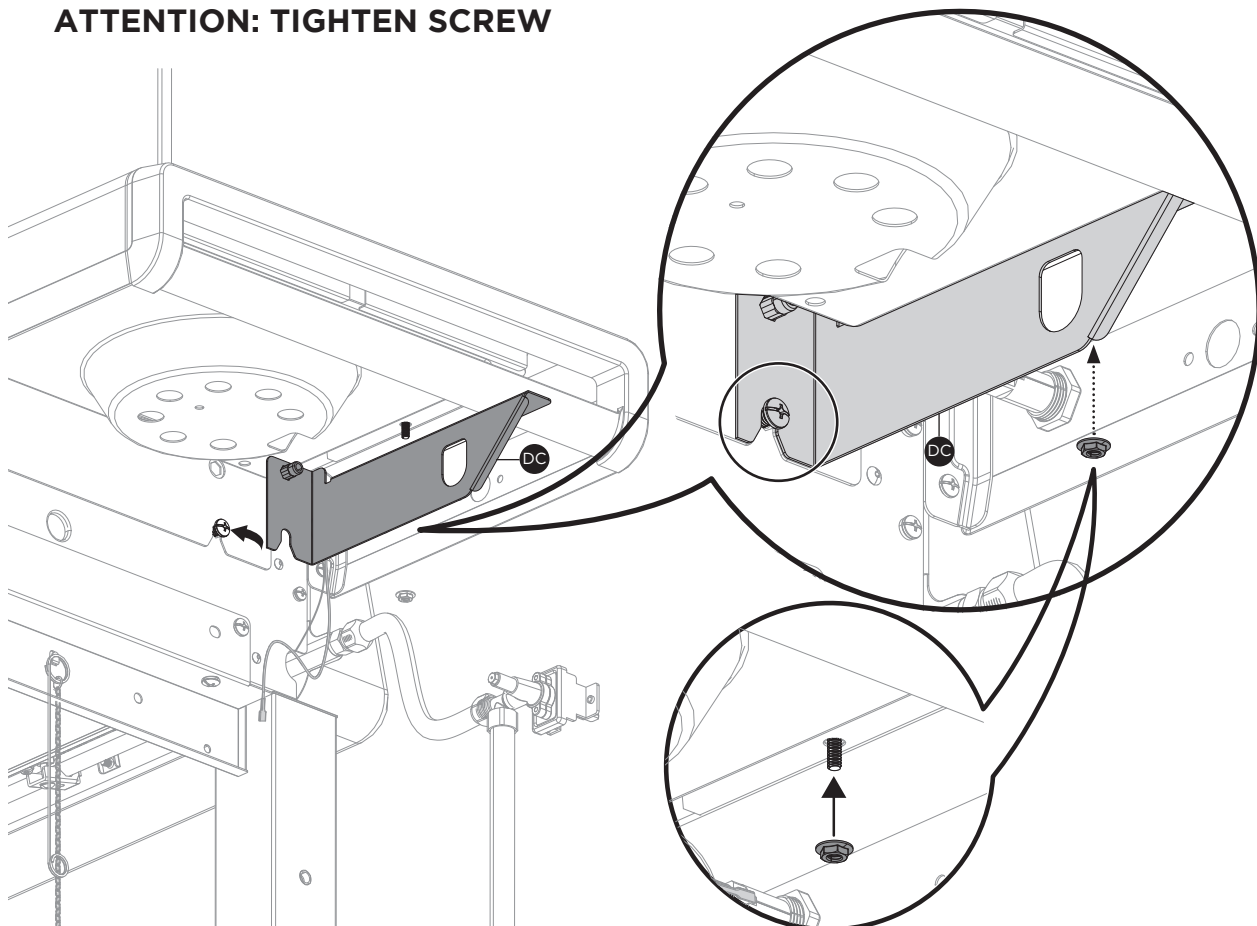
9A



ATTENTION: REMOVE THE NUT.



9B

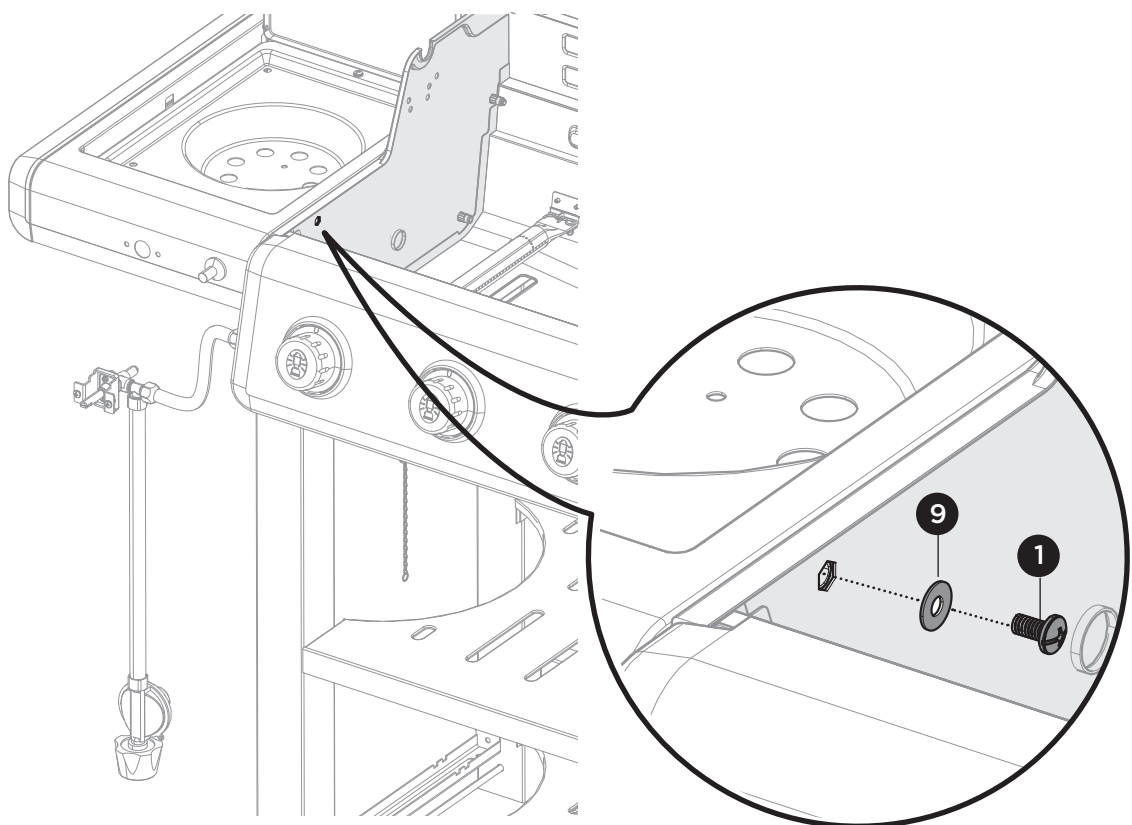
ATTENTION: TIGHTEN SCREW



ATTENTION: REINSTALL THE NUT.

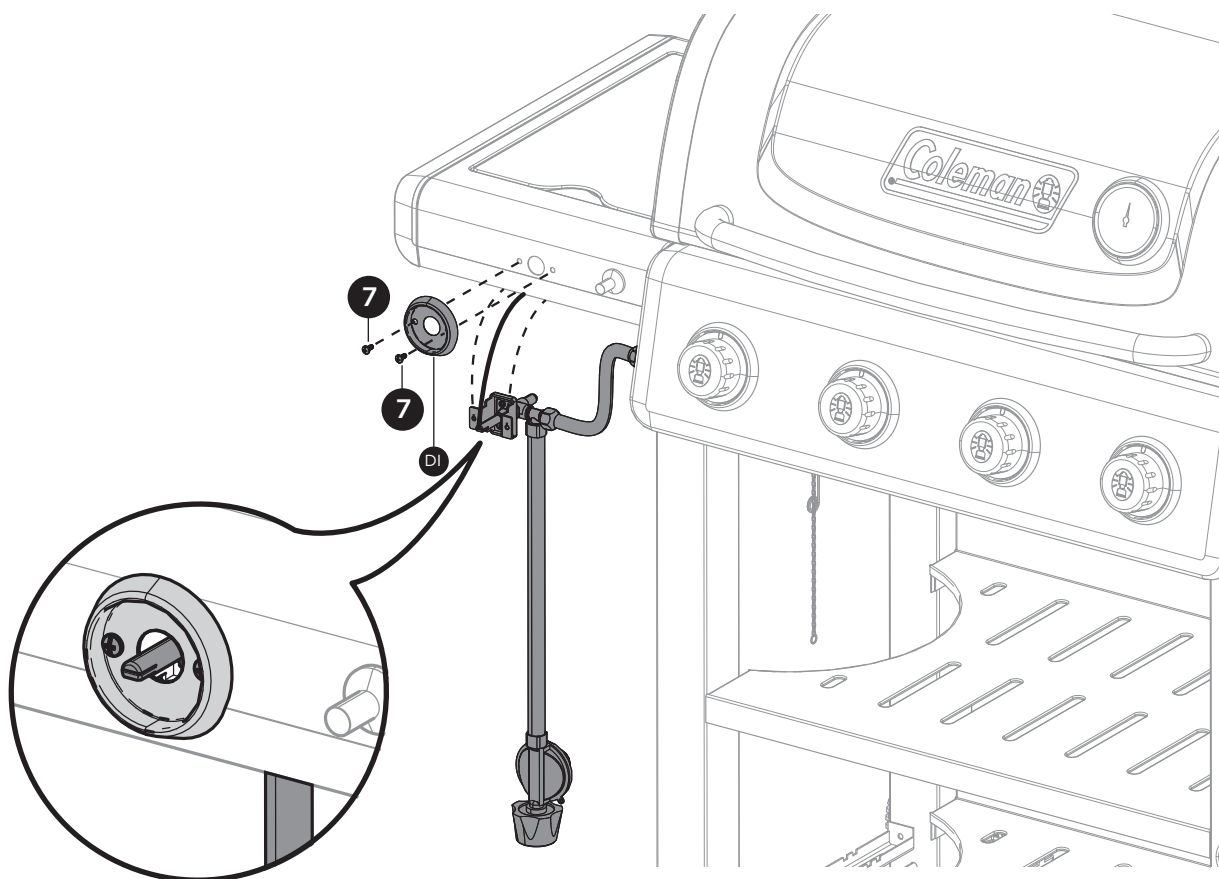
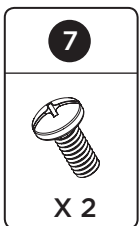
9C

1	9
	
X1	X1

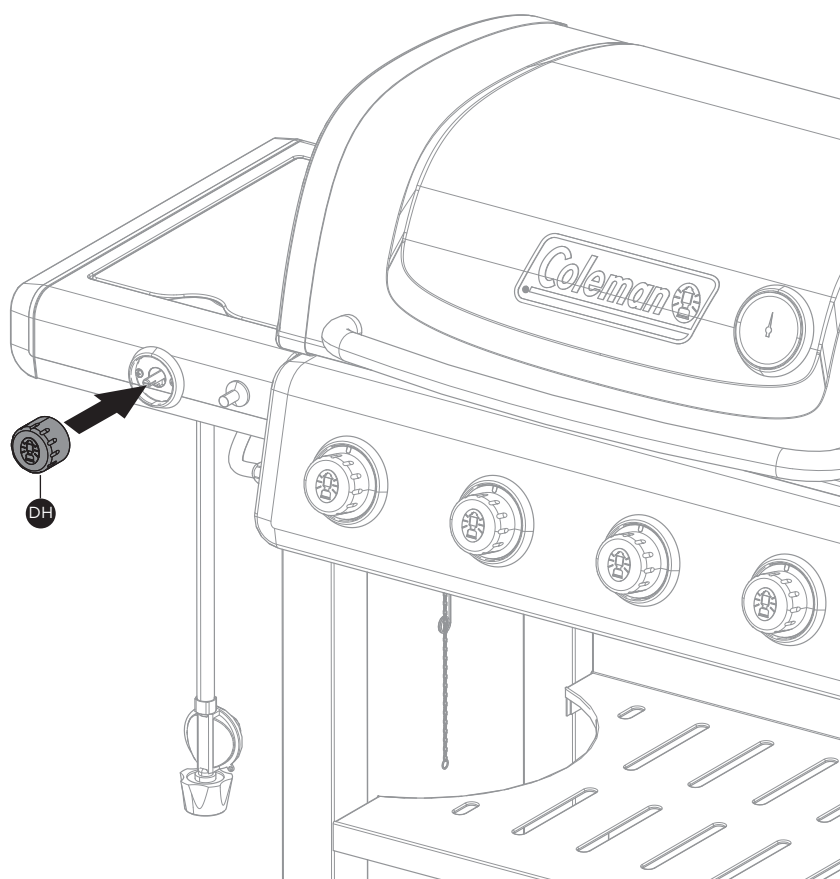


ASSEMBLY INSTRUCTIONS

10A

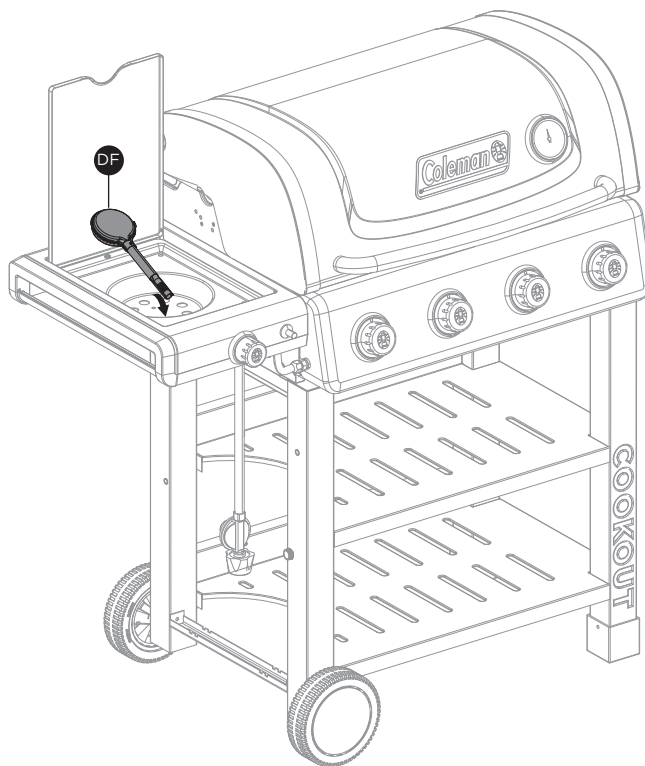
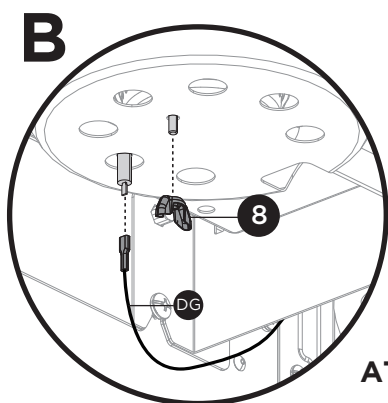
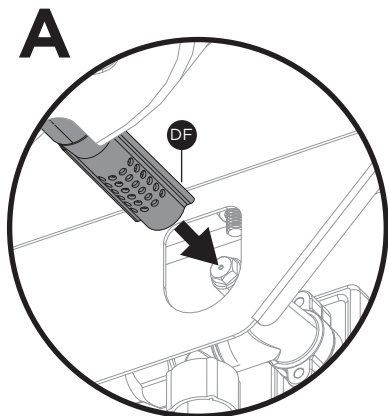


10B



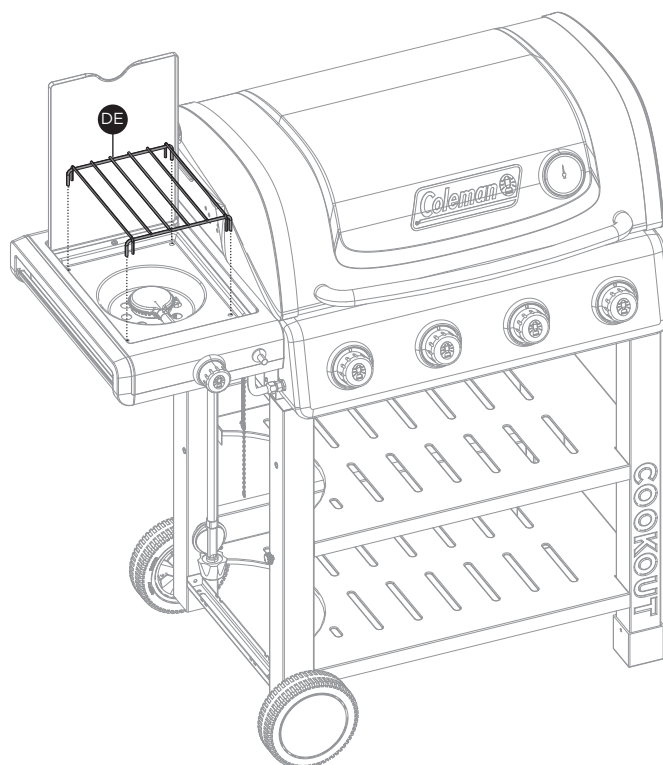
ASSEMBLY INSTRUCTIONS

11

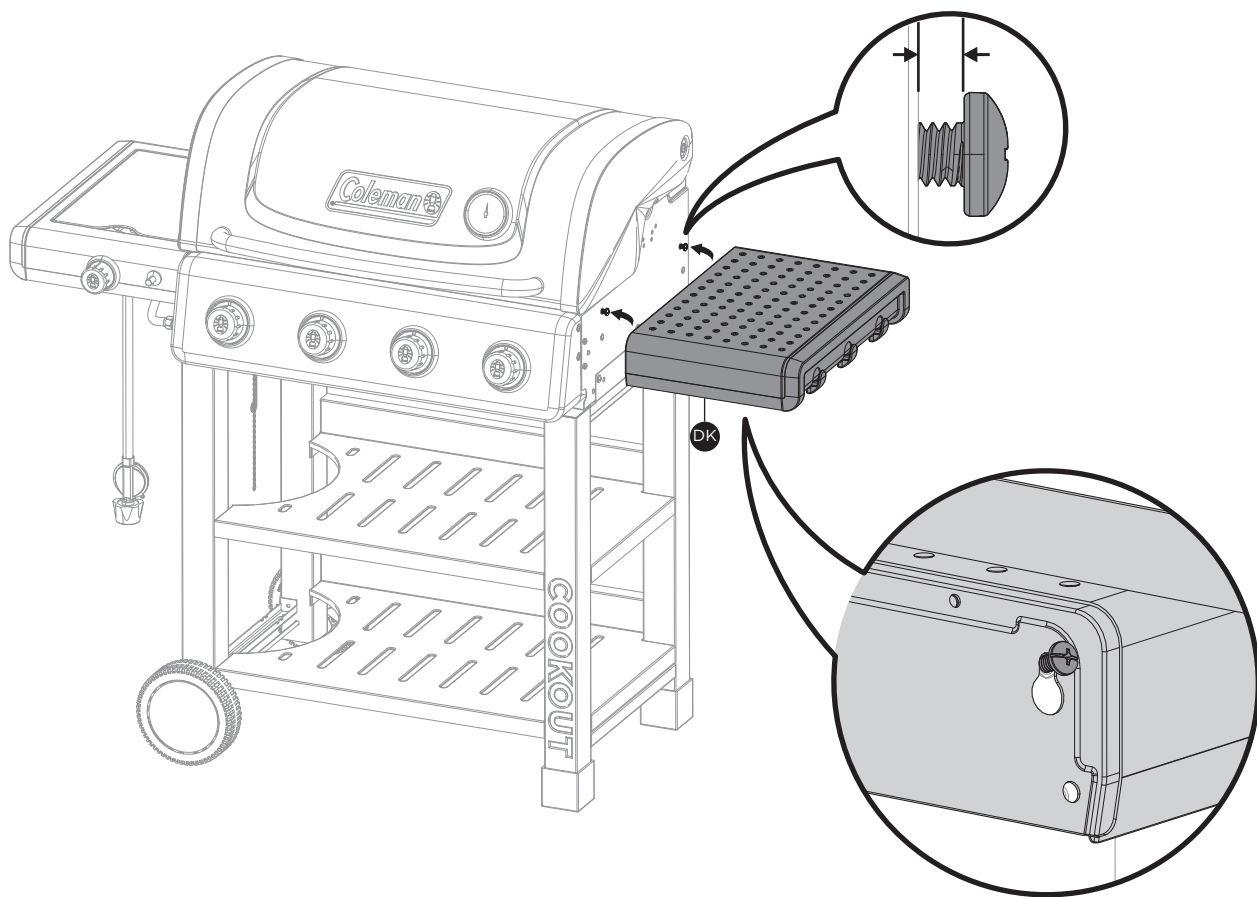


ATTENTION: The red connector of the side burner electrode wire (DG) is connected to the side burner (DF).

12





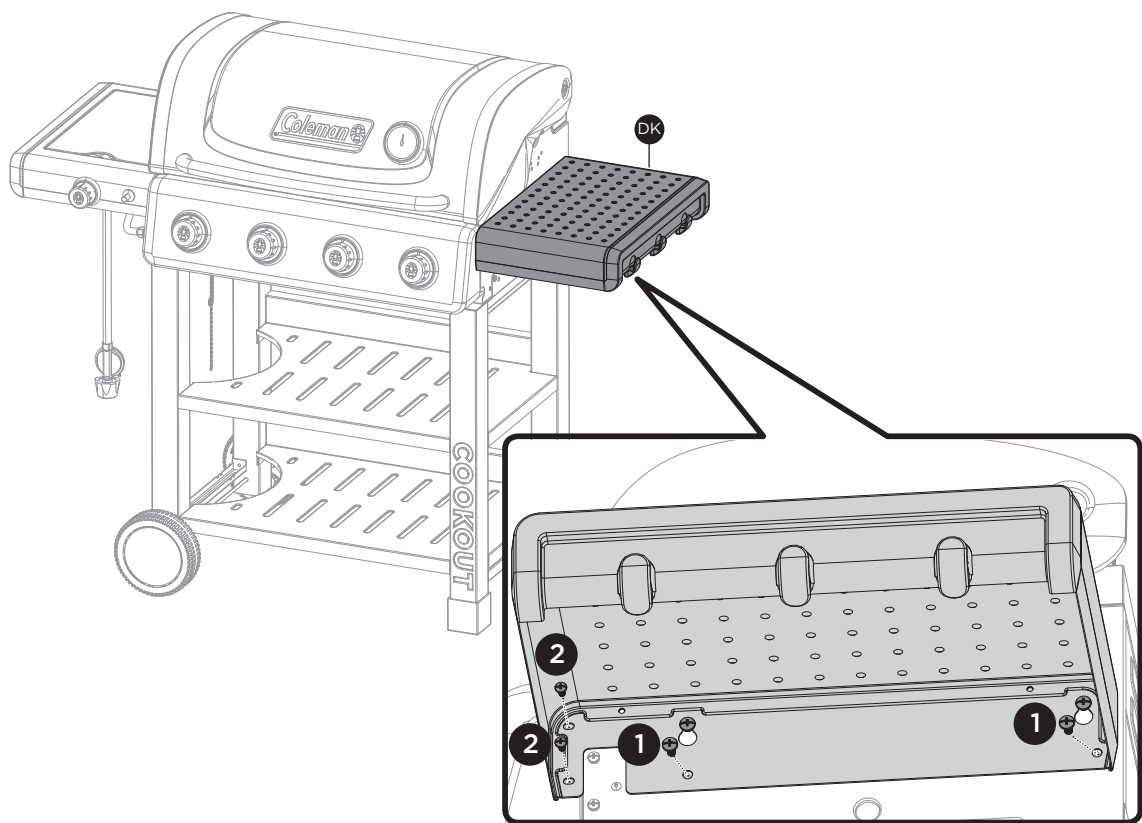
13A



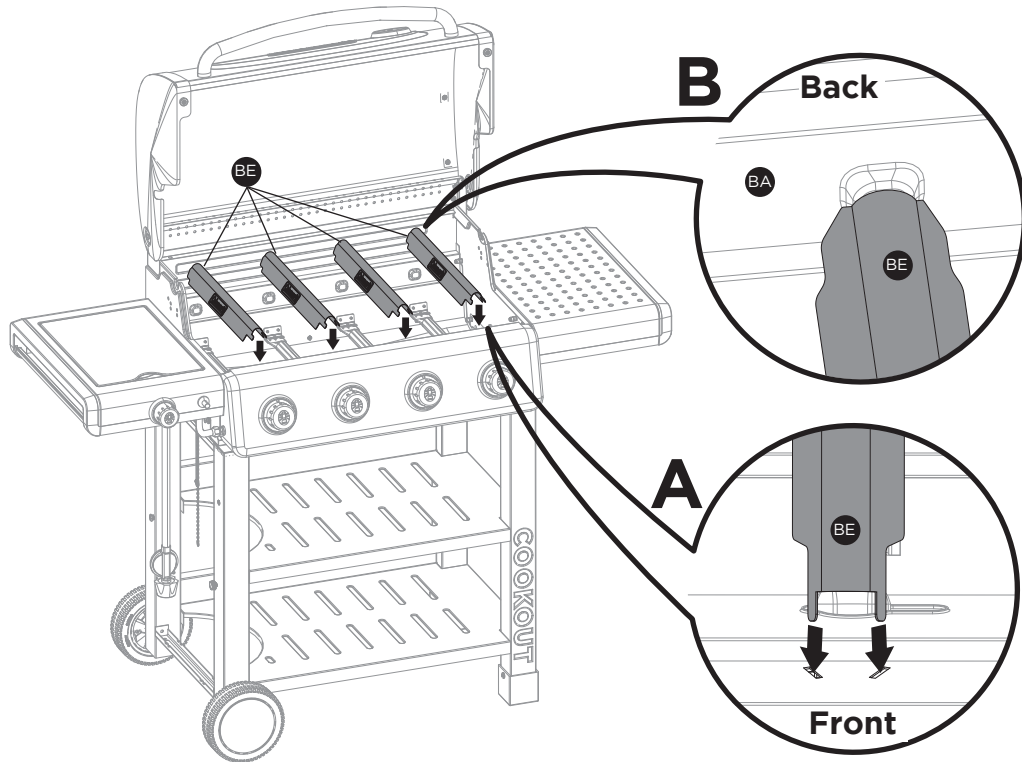
13B

ATTENTION: TIGHTEN ALL SCREWS

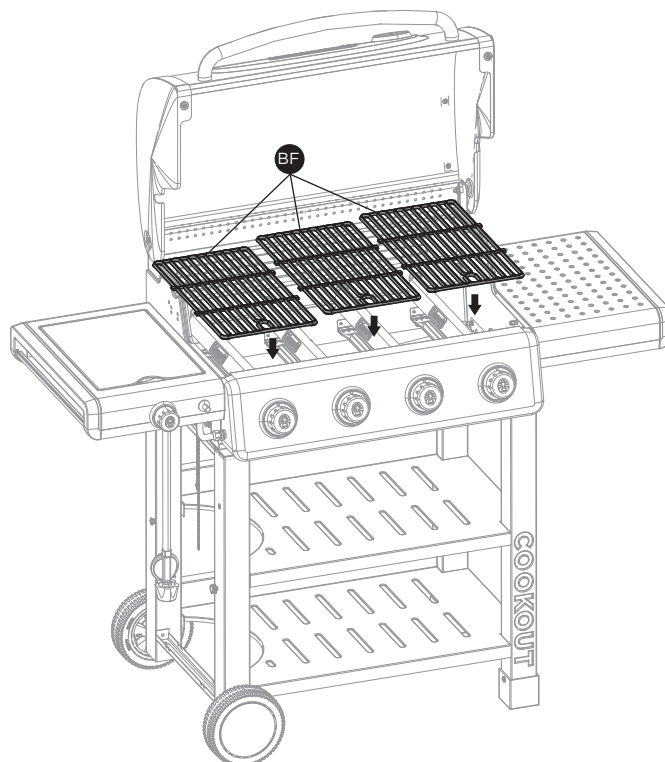
1	2
	
X 2	X 2



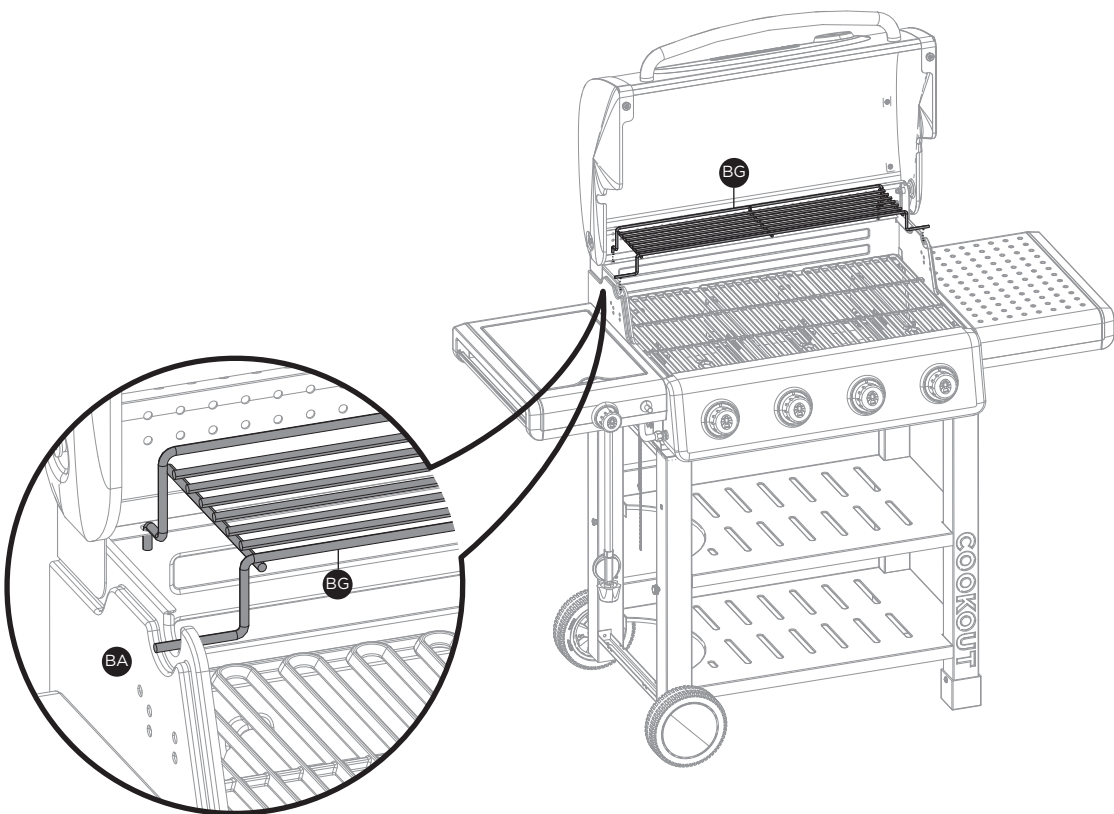
14



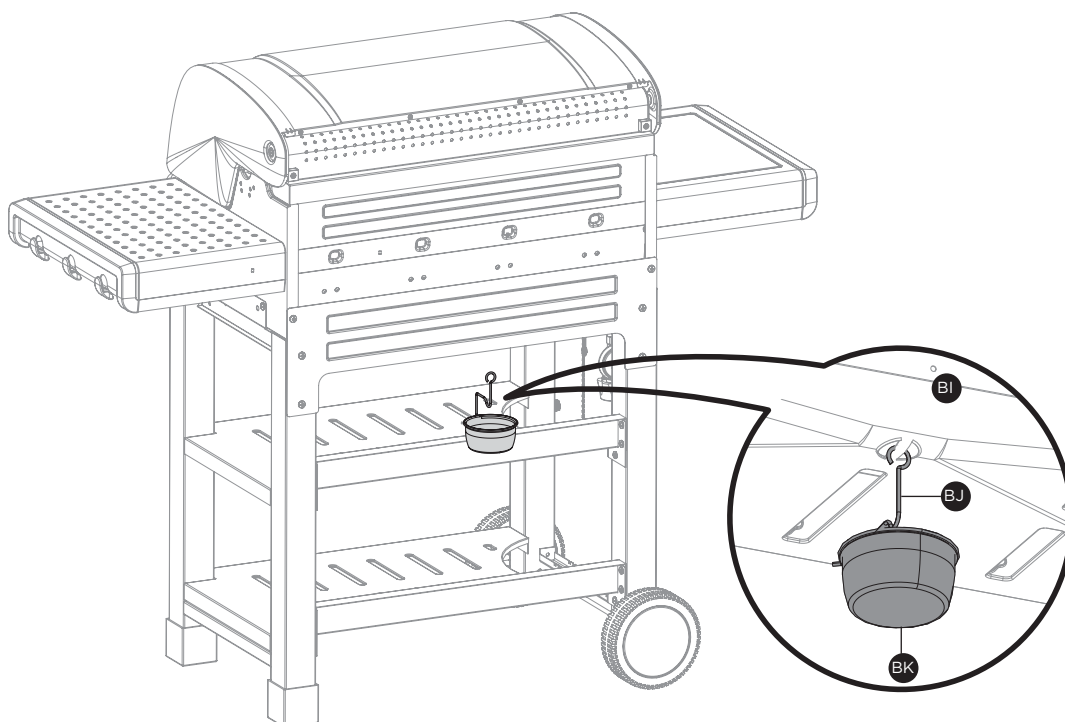
15



16



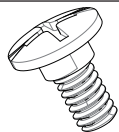
17



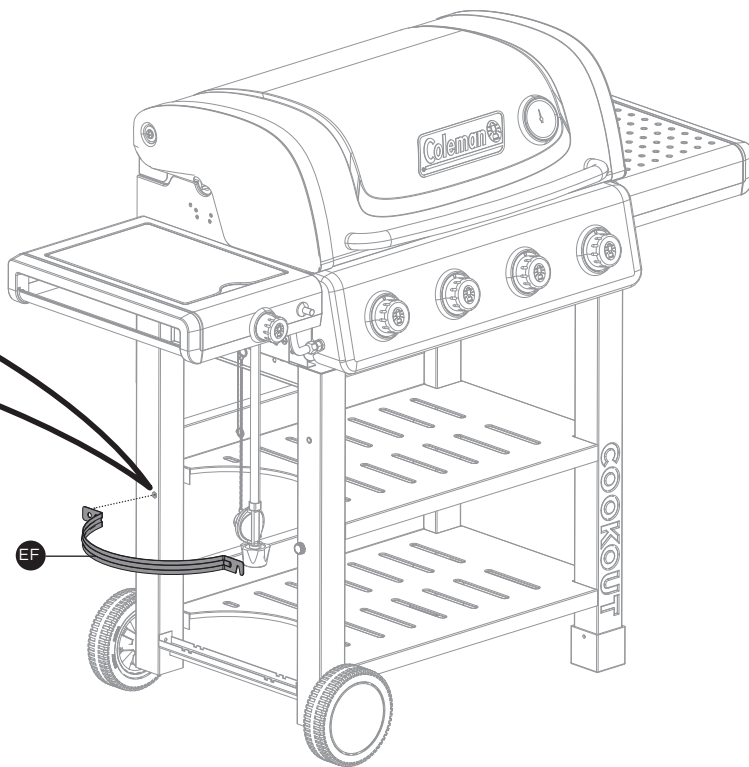
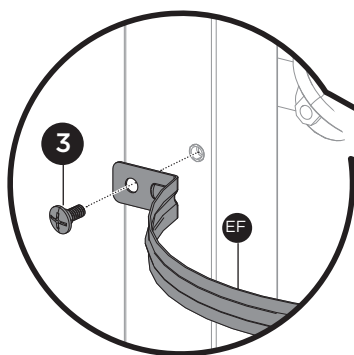
ASSEMBLY INSTRUCTIONS

18

3



X 1



19

1

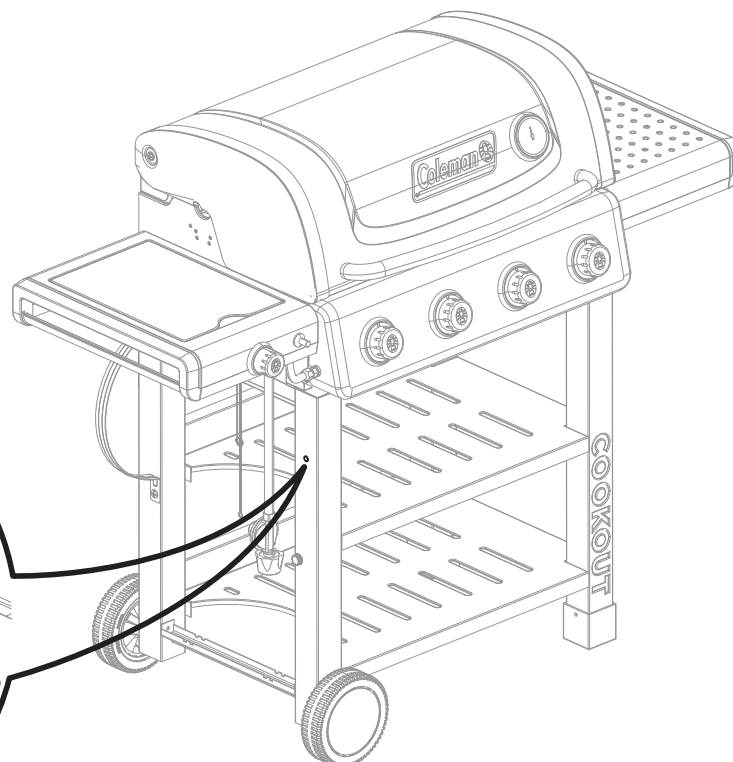
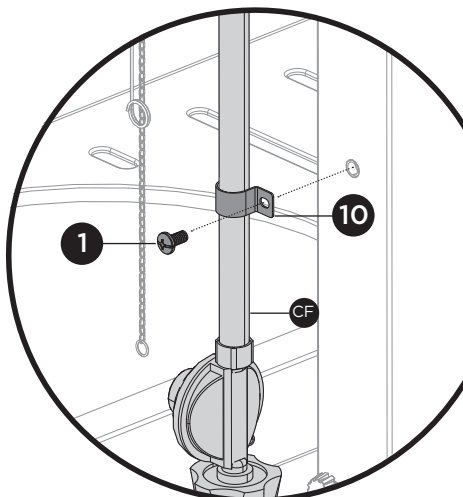
10



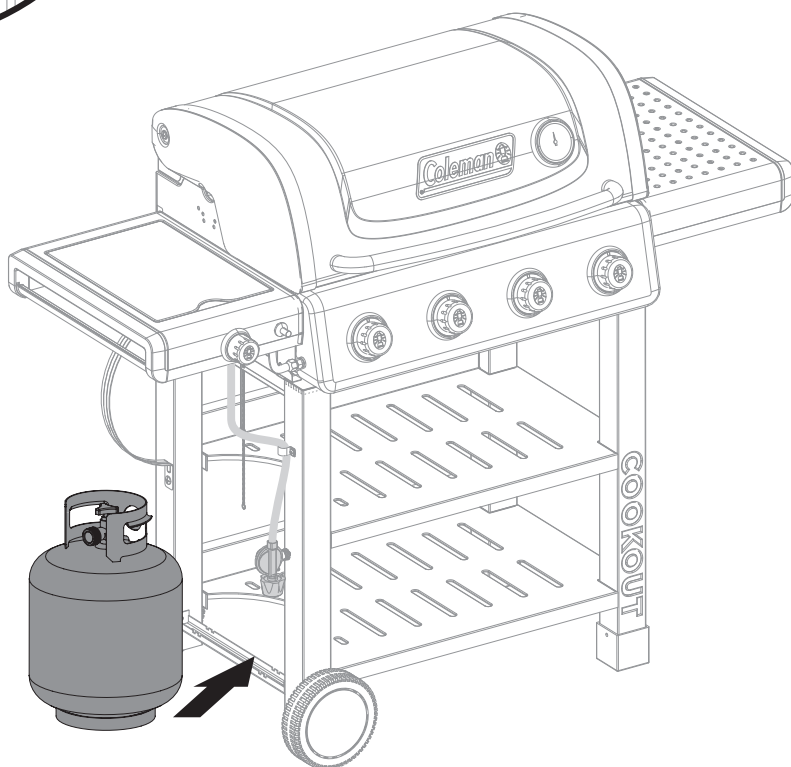
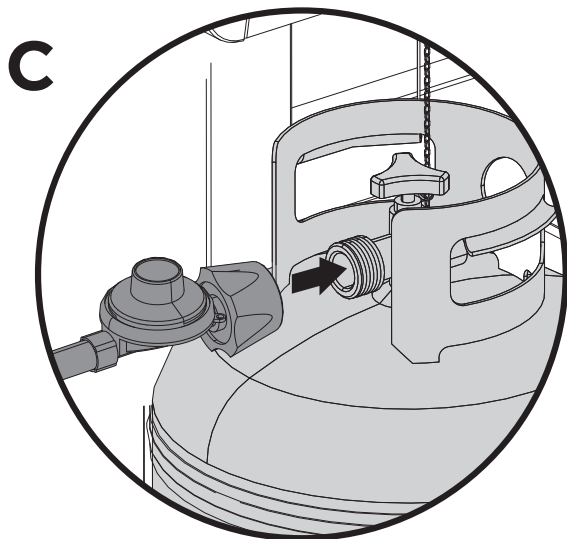
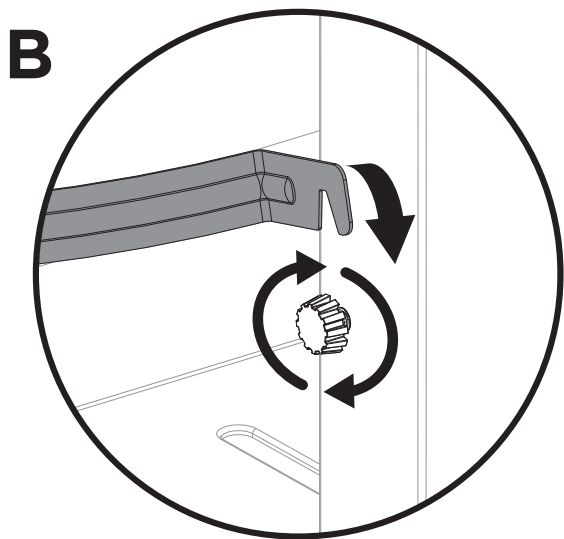
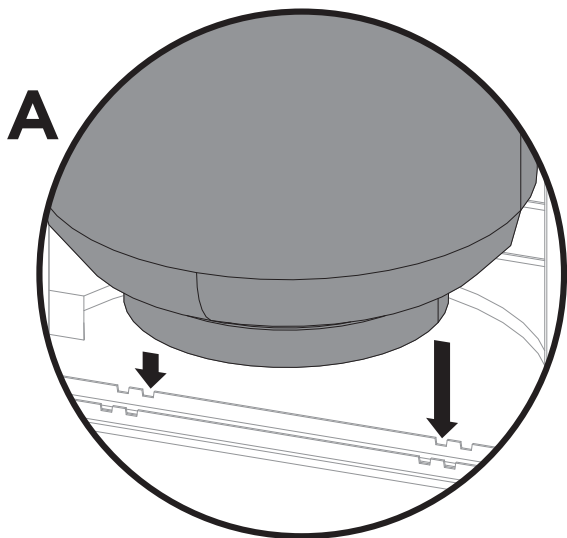
X 1



X 1



20



ADDITIONAL WARNINGS

You have now completed the assembly of your COLEMAN® COOKOUT™ BARBECUE.

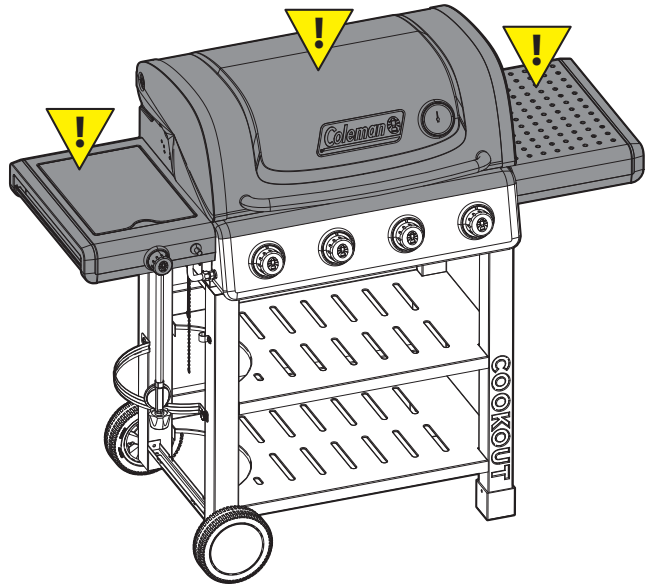
NEXT STEPS:

1. Position your Barbecue
2. Read the Safe Use & Care Manual
3. Perform Grill Safety Check-list

▲ **WARNING:**

FOR YOUR FAMILIES SAFETY, DO NOT ATTEMPT TO LIGHT THIS BARBECUE UNTIL YOU HAVE REVIEWED PAGES 4-7 OF THE COLEMAN® SAFE USE & CARE MANUAL. ALL SAFETY AND LEAK TESTS MUST BE PERFORMED BY THE END USER, PRIOR TO LIGHTING THIS BARBECUE.

▲ **WARNING HOT SURFACES:**



POSITION YOUR BARBECUE

Always confirm that this Barbecue is not positioned under a combustible object (e.g., an awning or umbrella) or in a covered area (e.g., porch or gazebo) before lighting it, to prevent a possible fire.

Always confirm that this Barbecue is not positioned under the overhang of a house, a garage or other structure before lighting it. An overhang will serve to deflect flare-ups and radiate heat into the structure itself, which could result in a fire.

Always confirm that this Barbecue is positioned more than 36" (91.4cm) away from any combustible materials or surfaces before lighting it, and that no gasoline or other volatile substances are stored in the vicinity of this barbecue. The temperature of a grease fire or of the radiated heat might otherwise be sufficient to ignite nearby combustibles or volatile substances. Do not position near windows, siding, or fencing.

Always locate the Barbecue where there will be ample combustion and ventilation air, but never position it in the direct path of a strong wind.



Join the conversation





facebook.com/colemangrills



twitter.com/colemangrills

Manufactured by Winners Products Engineering Ltd.

©2021 The Coleman Company, Inc.

Coleman®,  and  are registered trademarks of
The Coleman Company, Inc. used under license.