



REVOLUTION™

2 BURNER



**FLARE FREE
TECHNOLOGY™**

ASSEMBLY MANUAL

RV-201BBQ (G36361)

LIMITED 5-YEAR WARRANTY

Read and save manual for future reference.

Assemble your grill immediately. Missing or damaged parts should be claimed within 30 days of purchase.

For product inquiries, parts, warranty and troubleshooting support, please call 1-800-249-2506.



ANSI Z21.58-2018 / CSA 1.6-2018
Outdoor Cooking Gas Appliances



ANSI Z21.58-2018 / CSA 1.6-2018
Outdoor Cooking Gas Appliances

Master No. 211648



IMPORTANT SAFETY WARNINGS



THIS MANUAL MUST REMAIN WITH THIS PRODUCT AT ALL TIMES



CAUTION

Read and follow all safety statements, assembly instructions, use and care directions before attempting to assemble and cook.

INSTALLER OR ASSEMBLE /RCONSUMER

Read and follow all safety statements, assembly instructions, use and care directions before attempting to assemble and cook.

WARNING

Failure to follow all of the Manufacturer's instructions could result in hazardous fires, explosions, property damage, or serious personal injury or even death.

Follow all leak check procedures carefully prior to operation of grill, even if grill was dealer assembled. Do not try to light this grill without reading the Lighting Instructions section of the Safe Use and Care manual.

DANGER

1. If you smell gas:
 - a. Shut off gas to the appliance.
 - b. Extinguish any open flame.
 - c. Open lid.
 - d. If odor continues, keep away from the appliance and immediately call your gas supplier or your fire department.
2. Do not store or use gasoline or other flammable liquids or vapors in the vicinity of this or any other appliance.
3. LP gas cylinder not connected for use shall not be stored in the vicinity of this or any other appliance.

CAUTION

IN DIRECT SUN, AND IN OPERATION, YOUR GRILL'S STAINLESS STEEL AND PAINTED STEEL PARTS CAN BECOME VERY HOT.



THIS GRILL IS FOR OUTDOOR USE ONLY



CONTACT CUSTOMER CARE IF ANY PARTS ARE MISSING.

1-800-249-2506




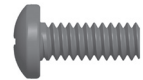

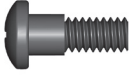

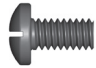

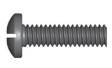














HARDWARE PACK

TOOLS NEEDED FOR ASSEMBLY

- #2 Phillips screwdriver (long and short)
- 1/4" Slotted screwdriver (long and short)
- Adjustable wrench
- Pliers

No.	Description	Part Number	Qty.
1	1/4"-20UNCx38 Screw	20120-13038-250	6
2	1/4"-20UNCx16 Screw	20120-13016-250	30
3	1/4"-20UNC Screw	G353-0014-9000	4
4	NO.10-24UNCx13 Screw	20124-10013-250	14
5	NO.8-32UNCx18 Screw	20132-08018-250	2
6	NO.8-32UNCx10 Screw	20332-08010-250	3
7	ST4.2x10 Tapping Screw	22500-42010-137B	6
8	Rubberized Washer	G501-0054-9100	10
9	1/4"-20UNC Nut	30220-13000-250	2
10	NO.8-32UNC Nut	30232-08000-250	2
11	Wheel Lock Pin	G350-0026-9000	1
12	AA Battery	G610-0028-9100	1

⚠ Caution:
Sheet metal can cause injury. Wear gloves when installing the grill.

 <p>1</p>  <p>1/4"-20UNCx38 Screw X 6</p>	 <p>2</p>  <p>1/4"-20UNCx16 Screw X 30</p>	 <p>3</p>  <p>1/4"-20UNC Screw X 4</p>
 <p>4</p>  <p>NO.10-24UNCx13 Screw X 14</p>	 <p>5</p>  <p>NO.8-32UNCx18 Screw X 2</p>	 <p>6</p>  <p>NO.8-32UNCx10 Screw X 3</p>
 <p>7</p>  <p>ST4.2x10 Tapping Screw X 6</p>	 <p>8</p>  <p>Rubberized Washer X 10</p>	 <p>9</p>  <p>1/4"-20UNC Nut X 2</p>
 <p>10</p>  <p>NO.8-32UNC Nut X 2</p>	 <p>11</p>  <p>Wheel Lock Pin X 1</p>	 <p>12</p>  <p>AA Battery X 1</p>

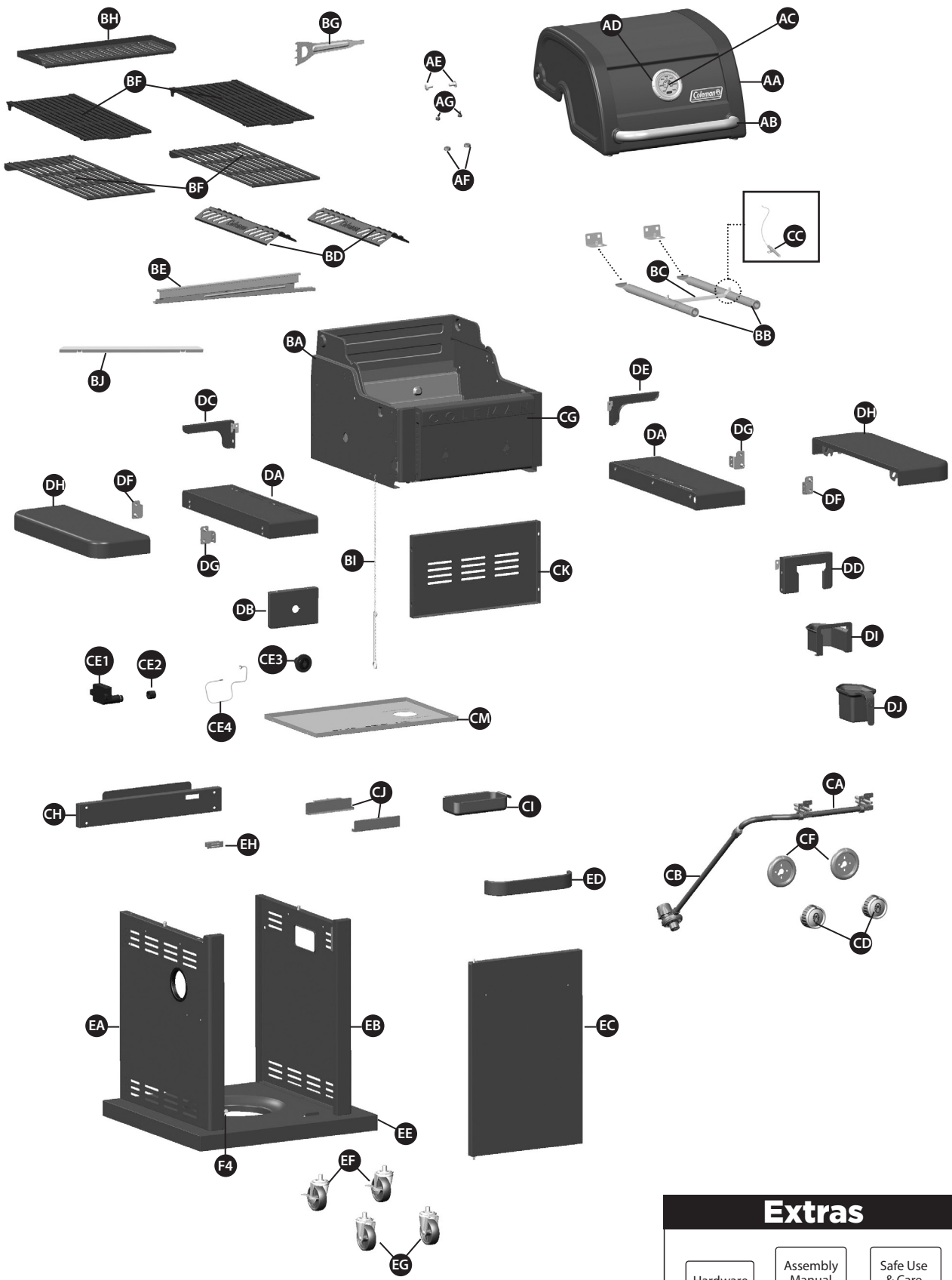
BEFORE ASSEMBLING THIS GRILL, READ THE INSTRUCTIONS CAREFULLY.

Assemble the grill on a flat, clean surface. Grill is heavy. Two people are recommended to assemble this grill.

PARTS LIST FOR RV-201BBQ (G36361)

Item No.	Qty.	Description	Part No.	Item No.	Qty.	Description	Part No.
AA	1	Top Lid Assembly	G363-2500-01	DA	2	Side Shelf Table	G363-0800-01
AB	1	Lid Handle	G363-0005-02	DB	1	Side Shelf Fascia, Left	G363-8600-01
AC	1	Thermometer	G363-0009-01	DC	1	Side Shelf Table Rear Brace, Left	G363-1000-01
AD	1	Thermometer Bezel	G532-0006-01	DD	1	Side Shelf Fascia, Right	G363-8800-01
AE	2	Screw, Top Lid	G466-0007-01	DE	1	Side Shelf Table Rear Brace, Right	G363-1200-01
AF	2	Lid Bumper, Front	G527-0002-02	DF	2	Support bracket A, side shelf	G363-1300-01
AG	2	Lid Bumper, Rear	G303-0038-01	DG	2	Support bracket B, side shelf	G363-1400-01
BA	1	Burner Box Assembly	G363-3100-01	DH	2	Side Shelf Extension Table	G363-1500-01
BB	2	Main Burner	G532-3500-01	DI	1	Grease Cup Holder, Flare-Free	G363-0023-02
BC	1	Carryover Assembly	G354-0024-01	DJ	1	Grease Cup, Flare-Free	G363-0023-02
BD	2	Heat Distribution Plate	G532-0016-01	EA	1	Cart Side Panel, Left	G363-4100-01
BE	1	Grease Channel	G363-0012-01	EB	1	Cart Side Panel, Right	G363-4200-01
BF	2	Upper Cooking Grate	G532-0081-01	EC	1	Door Assembly	G363-2800-01
BG	1	Cleaning Tool	G532-0083-01	ED	1	Door Handle	G363-0019-01
BH	1	Warming Rack	G363-0013-01	EE	1	Bottom Shelf	G363-0500-01
BI	1	Match Holder	G501-0068-01	EF	2	Locking Castor	G350-0023-01
BJ	1	Grease Channel Shield	G532-0063-01	EG	2	Castor	G350-0024-01
BK	2	Lower Cooking Grate	G532-0080-01	EH	1	Door Magnet Assembly	G527-0037-01
BL	2	Main Burner Brace	G466-0047-01	F1	1	Hardware Pack	G363-B061-01
CA	1	Manifold Assembly	G363-3300-01	F2	1	Assembly Manual	G363-M061-01
CB	1	Regulator	G409-0069-01	F3	1	Safe Use and Care Manual	G363-M061-02
CC	1	Electrode Set, Main Burner	G515-0067-01	F4	1	Tank Screw	G505-0047-01
CD	2	Control Knob	G532-3600-01				
CE1	1	Electronic Ignition Assembly	G532-0019-01				
CE2	1	Ignition Battery Cover	G532-0019-02				
CE3	1	Instastart™ Ignition Button	G532-0082-01				
CE4	1	Ground Wire	G602-0024-03				
CF	2	Knob Bezel	G363-0026-01				
CG	1	Control Panel	G363-0041-01				
CH	1	Door Support Rail	G363-5000-01				
CI	1	Grease Cup, Burner Box	G416-0015-01				
CJ	2	Grease Cup Rails	G466-0034-01				
CK	1	Upper Back Panel	G363-0015-01				
CL	1	Heat Shield	G363-0016-01				

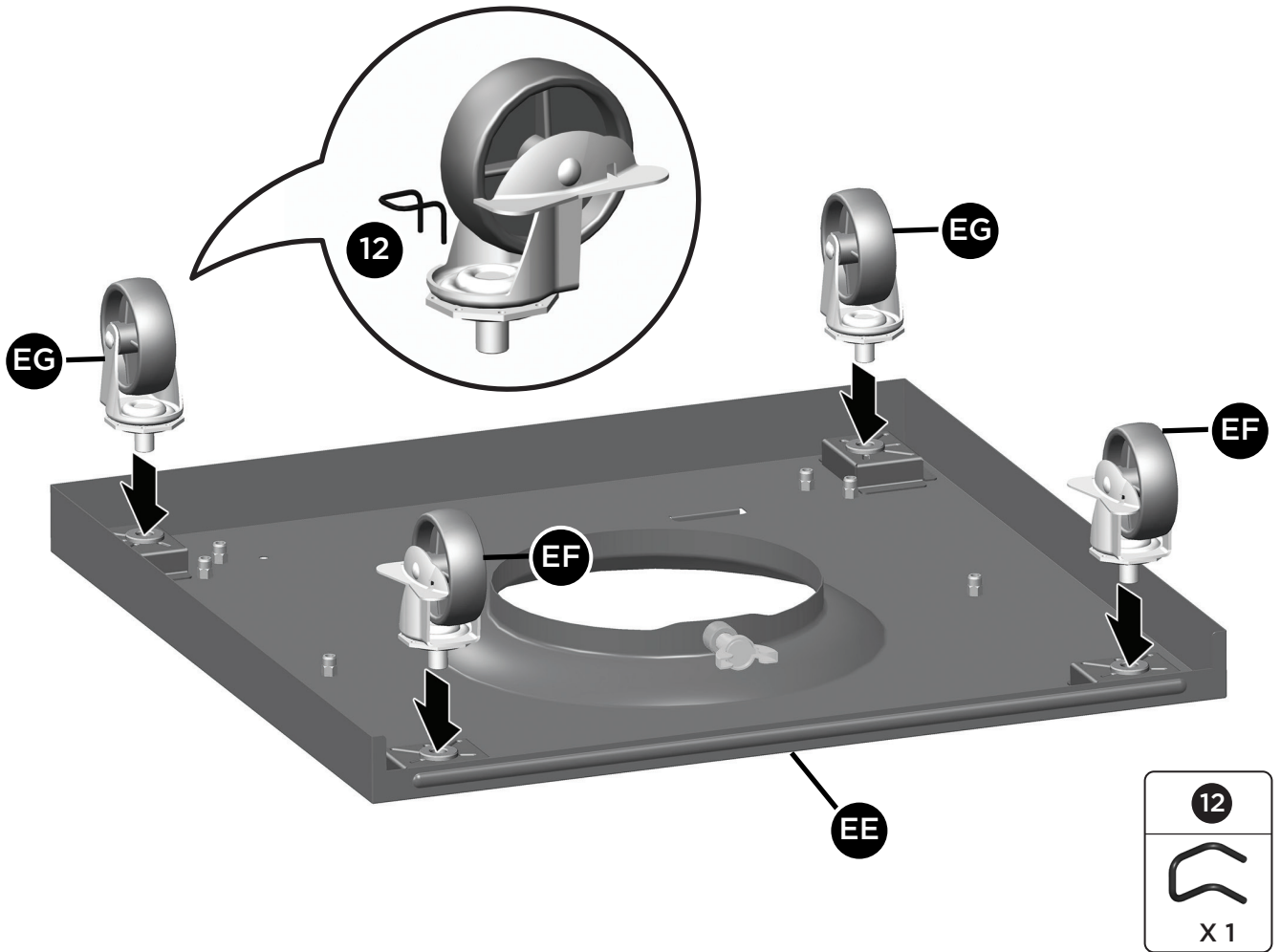
EXPLODED DIAGRAM FOR RV-201BBQ (G36361)



Extras		
Hardware Pack F1	Assembly Manual F2	Safe Use & Care Manual F3

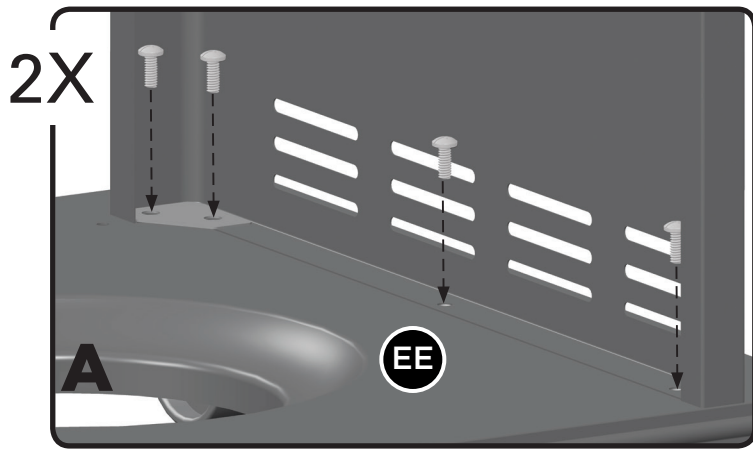
ASSEMBLY INSTRUCTIONS


1

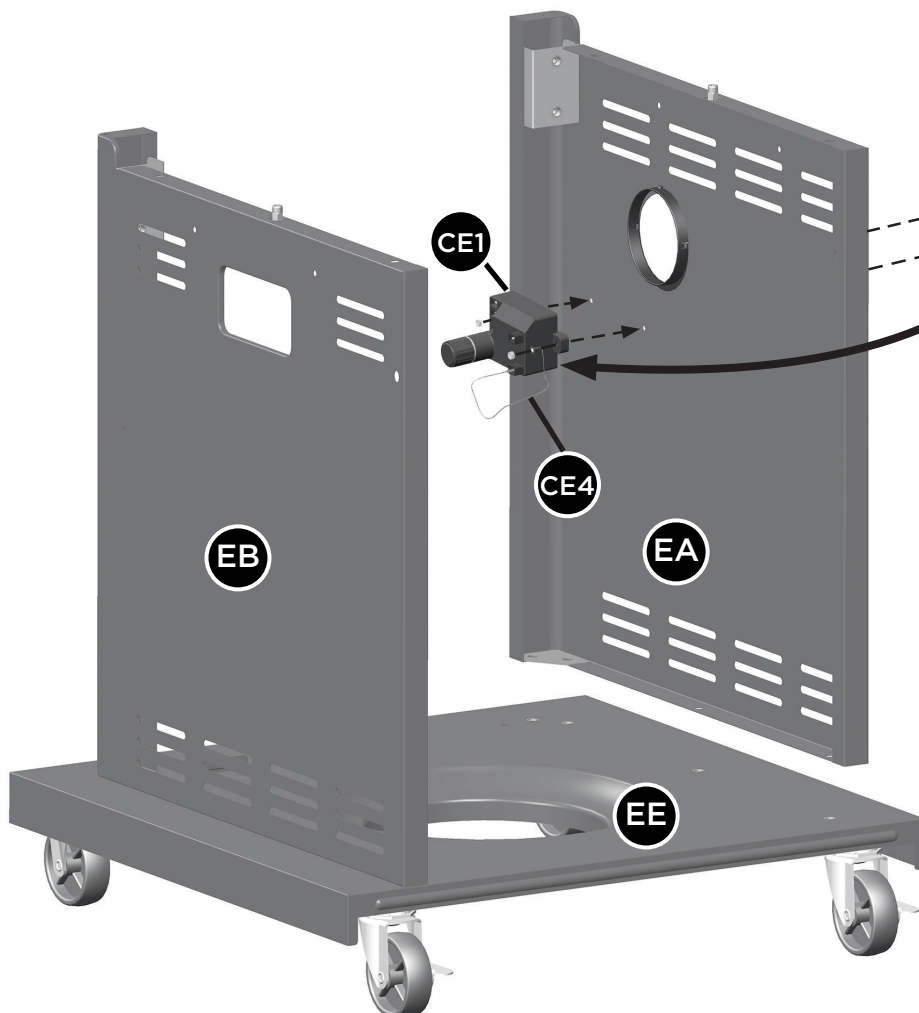
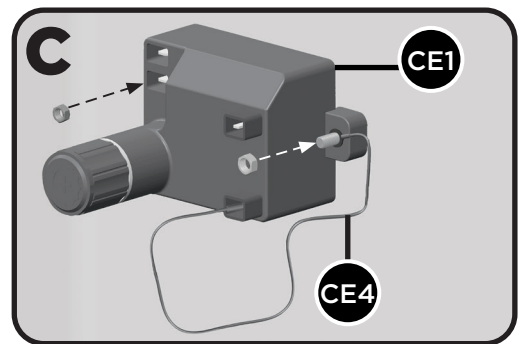
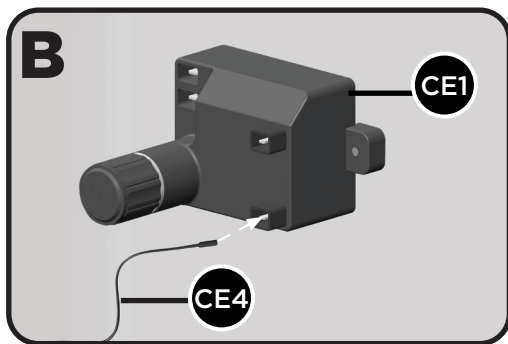




ASSEMBLY INSTRUCTIONS

2



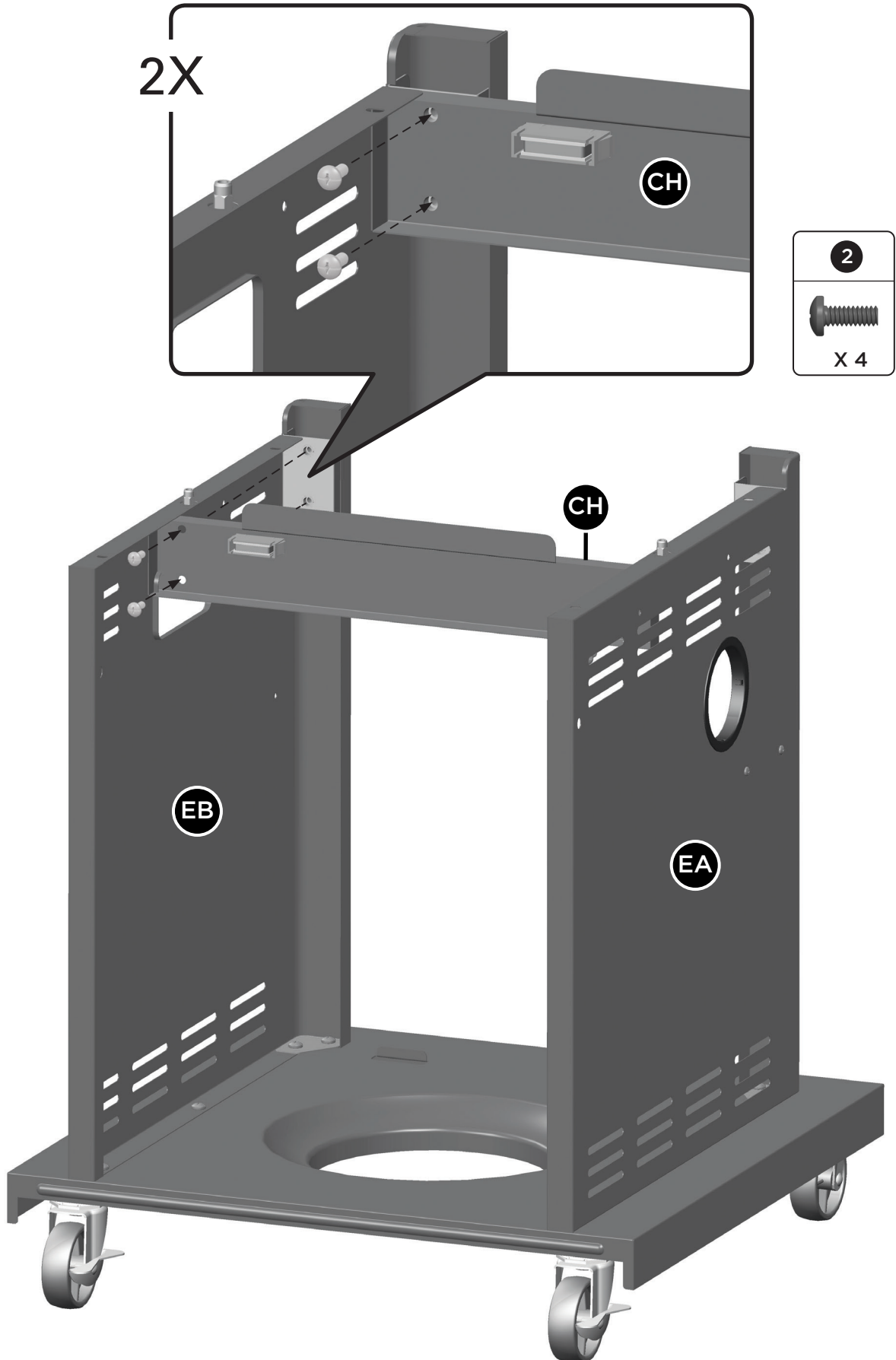
2

X 8



5	10
	
X 2	X 2

ASSEMBLY INSTRUCTIONS

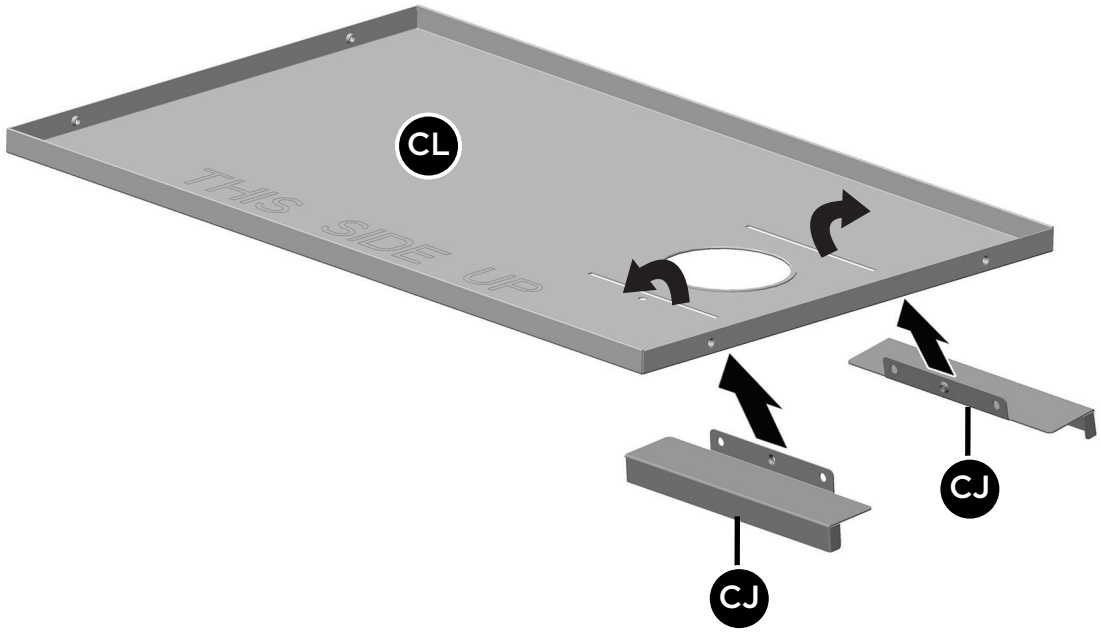
3



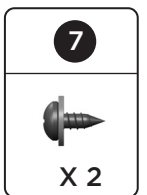
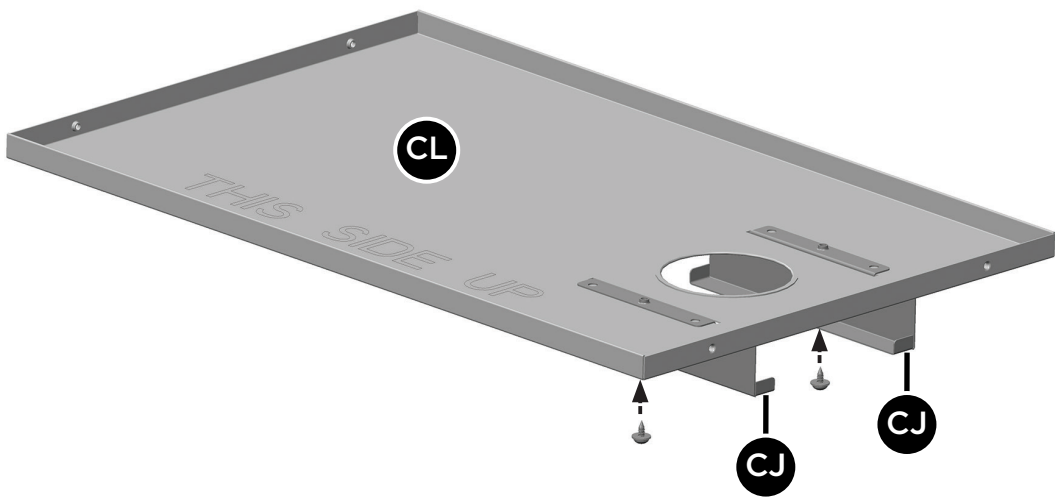
ASSEMBLY INSTRUCTIONS

4

A.



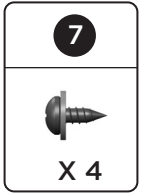
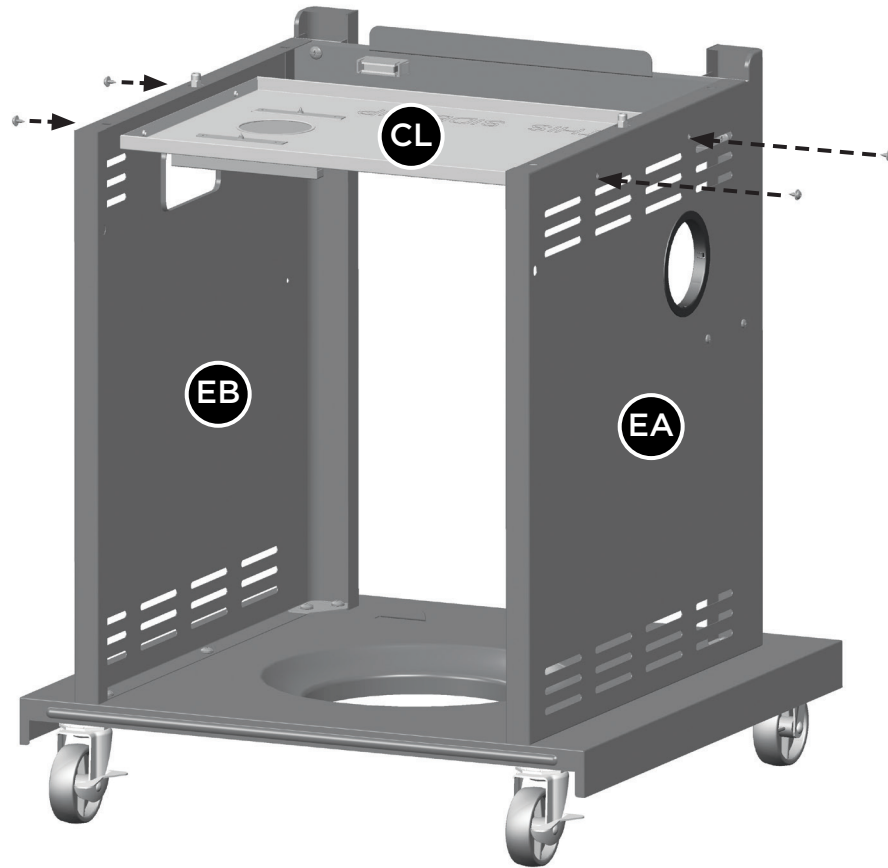
B.



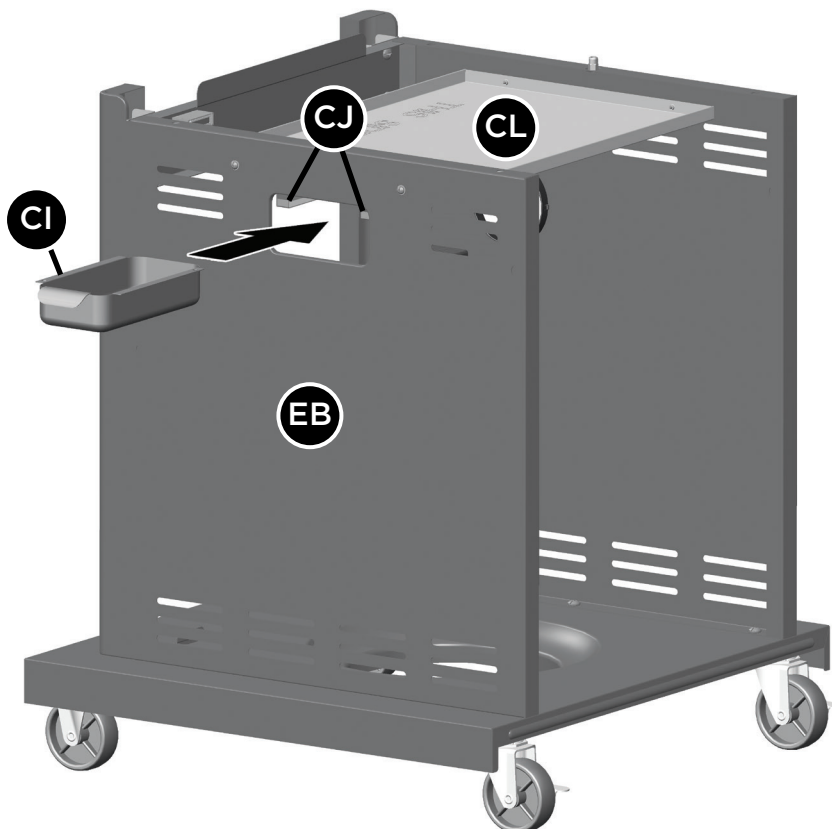
ASSEMBLY INSTRUCTIONS

4

C.



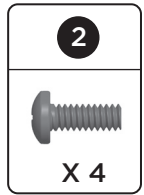
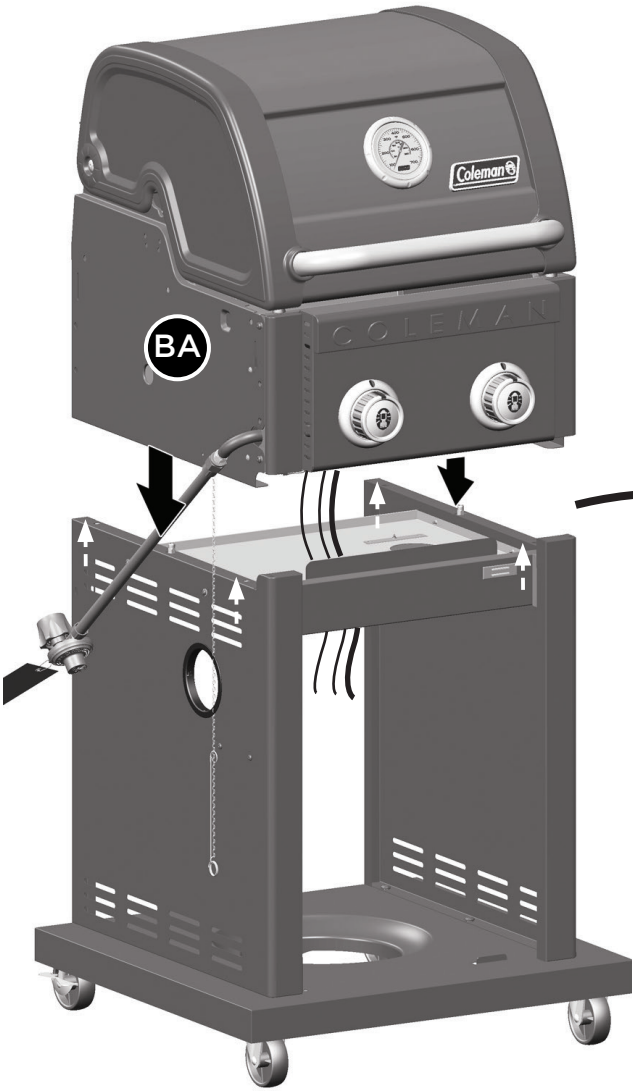
D.



ASSEMBLY INSTRUCTIONS

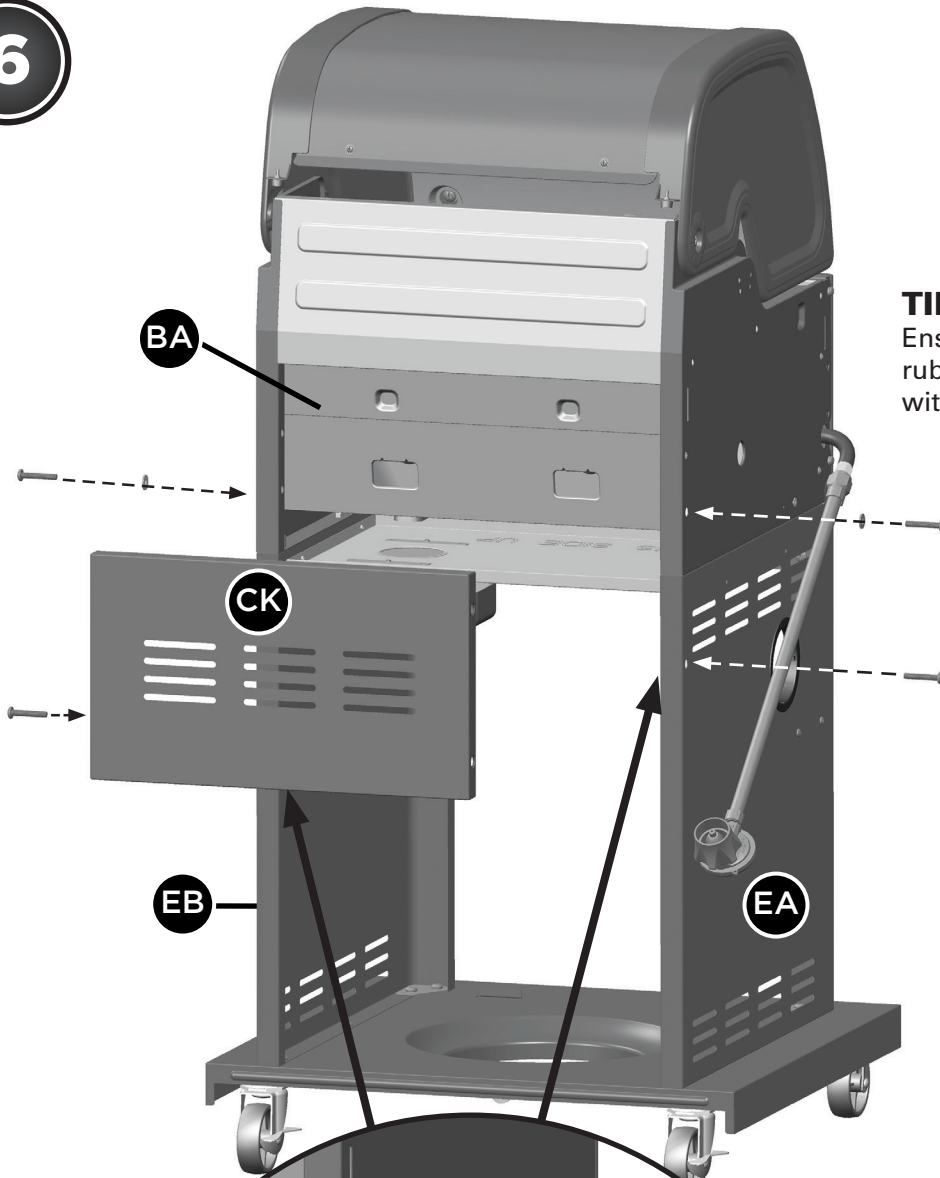
5

**⚠ WARNING:
WATCH YOUR HANDS!**



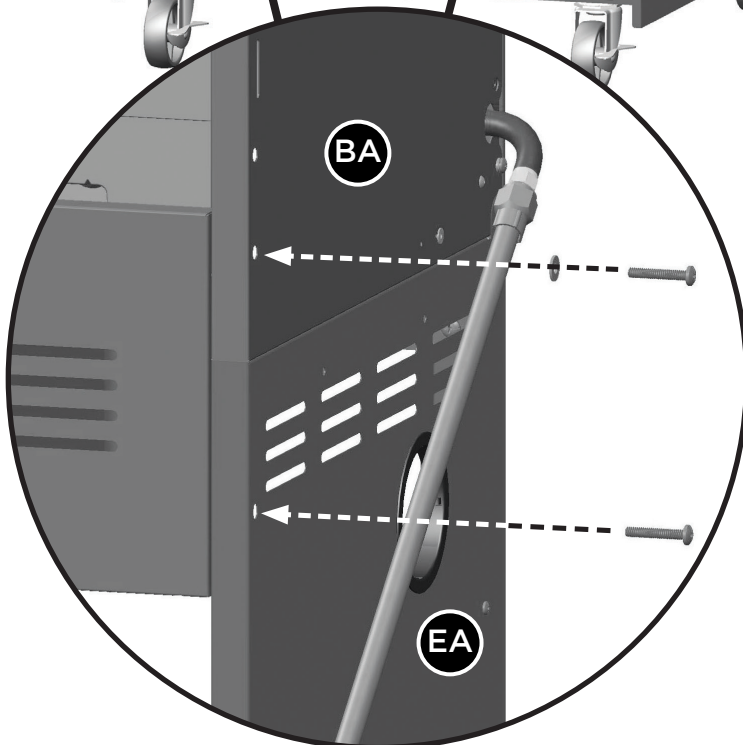
ASSEMBLY INSTRUCTIONS



6



TIP:

Ensure that the rubber side of the rubberized washer makes contact with the burner box.

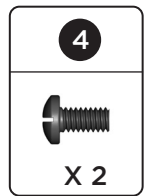
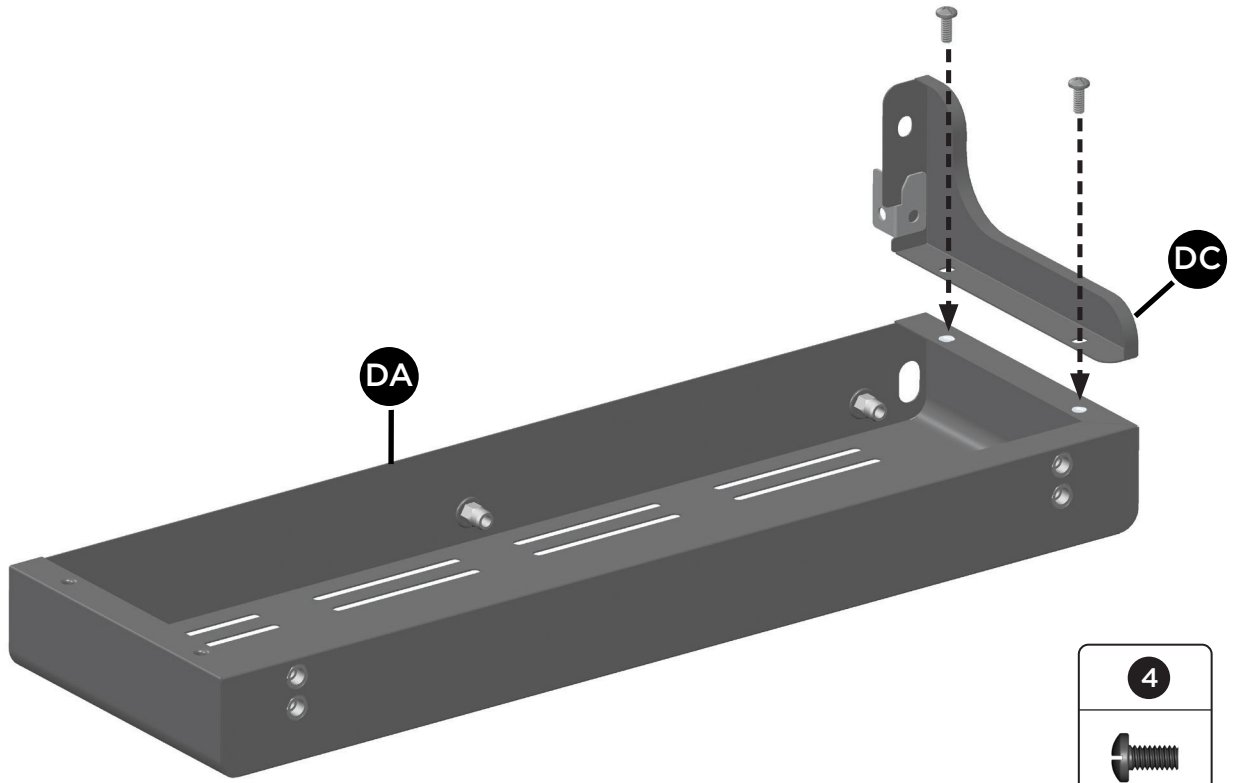


1	8
	
X 4	X 2

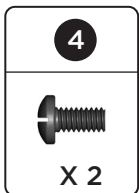
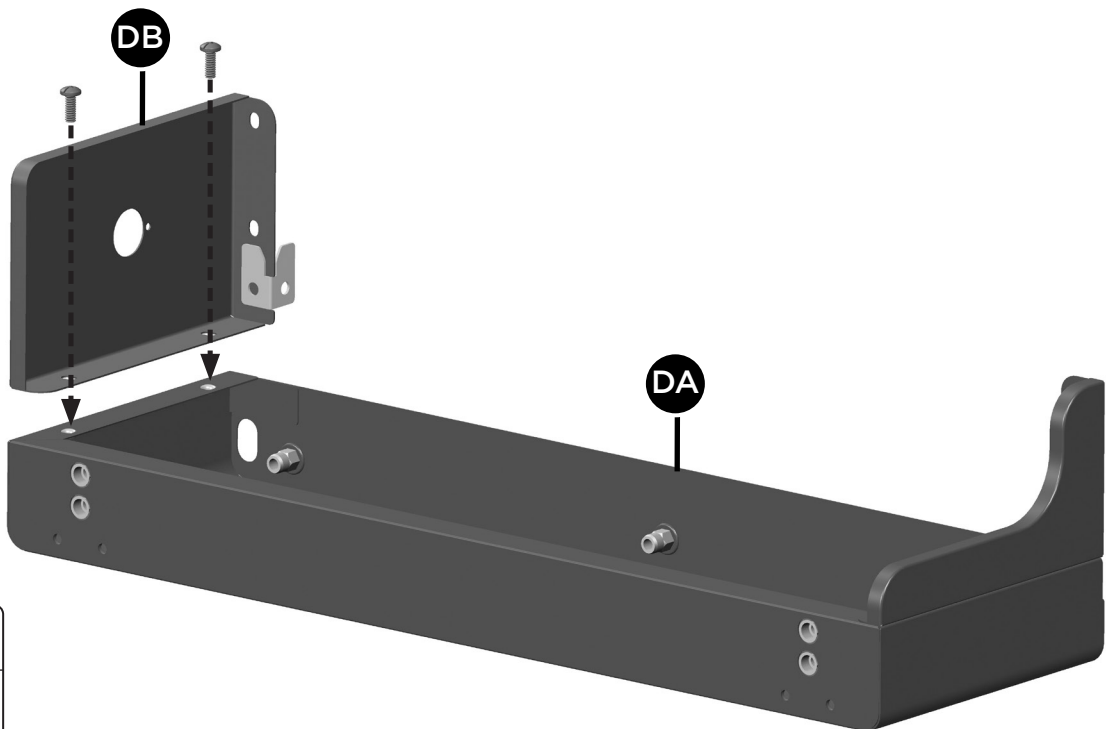
ASSEMBLY INSTRUCTIONS

7

A.



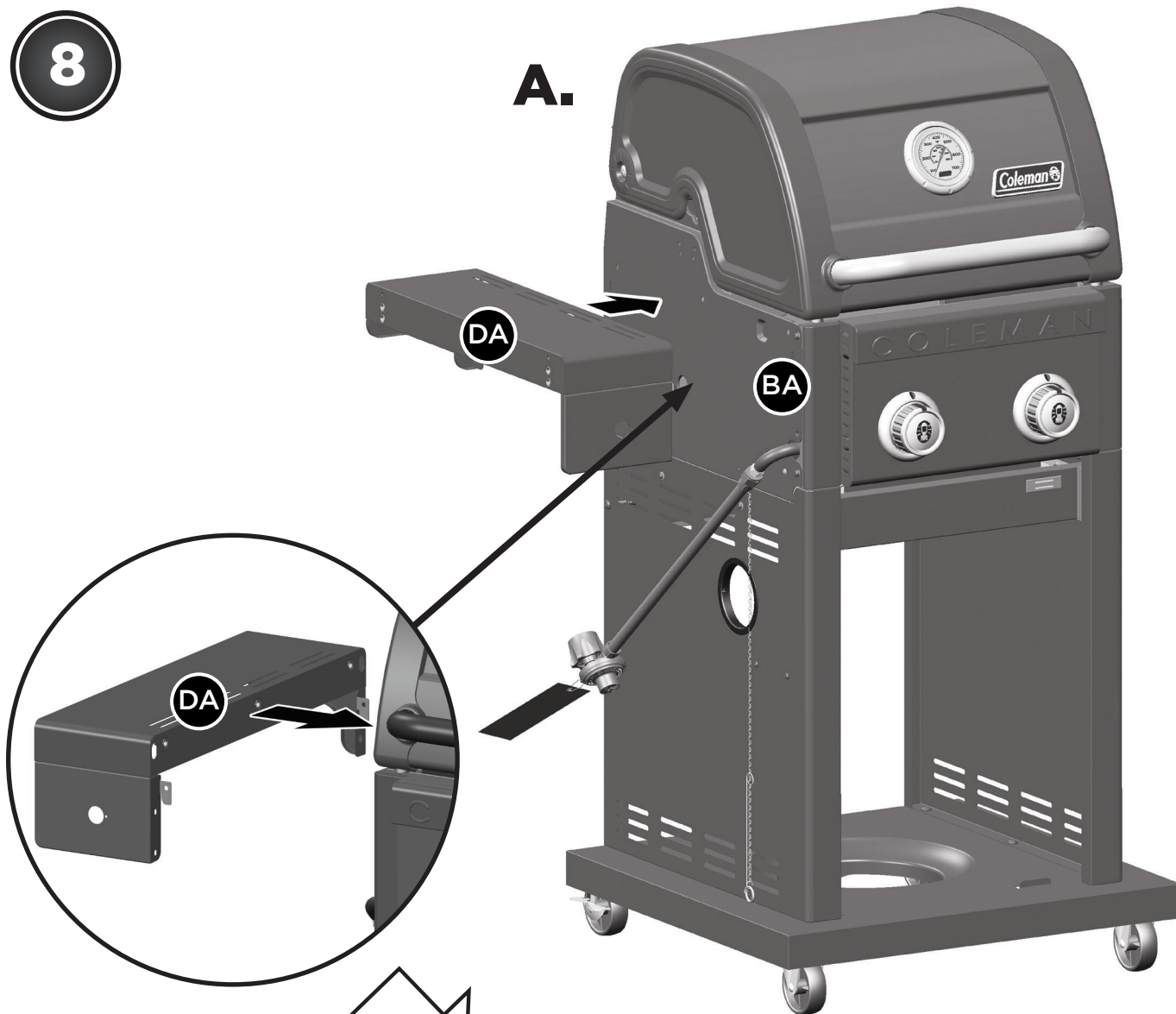
B.



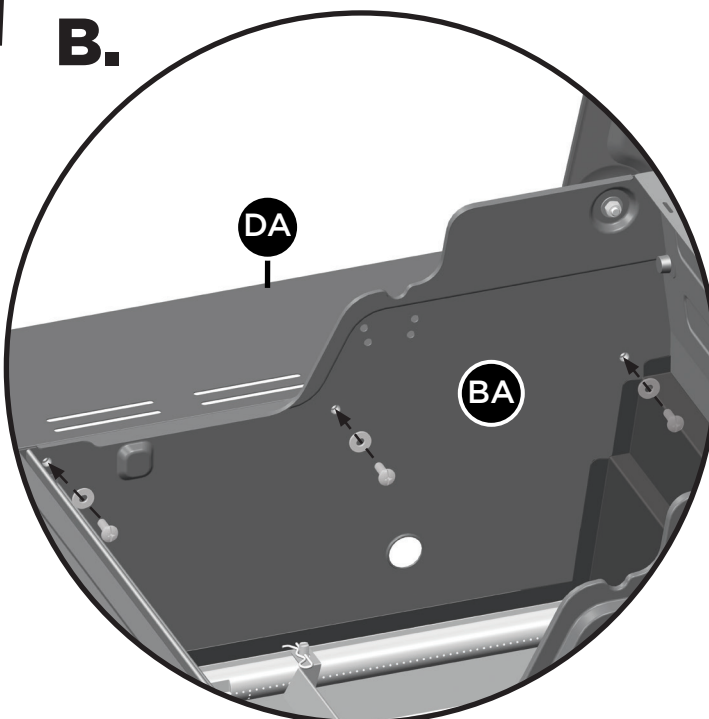
ASSEMBLY INSTRUCTIONS

8

A.





B.



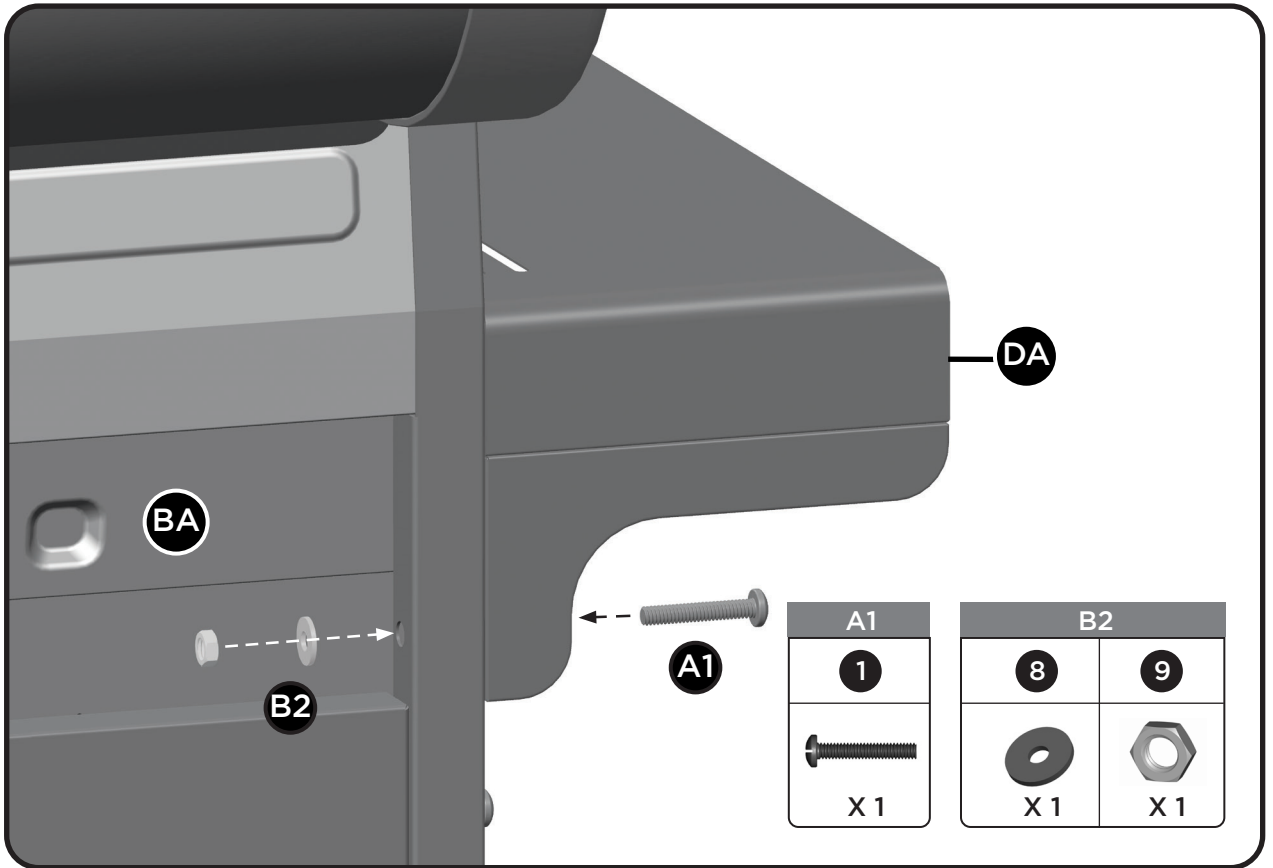
TIP:

Ensure that the rubber side of the rubberized washer makes contact with the burner box.

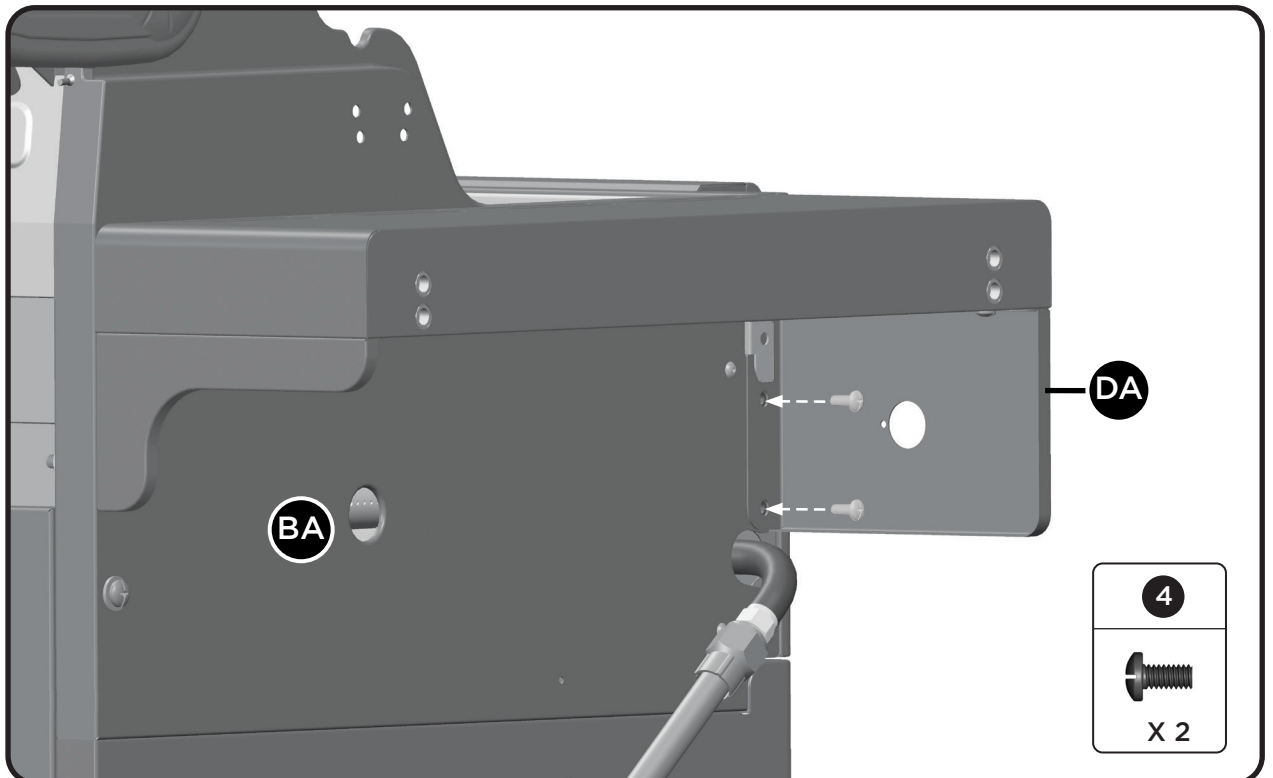
2	8
	
X 3	X 3

8

C.



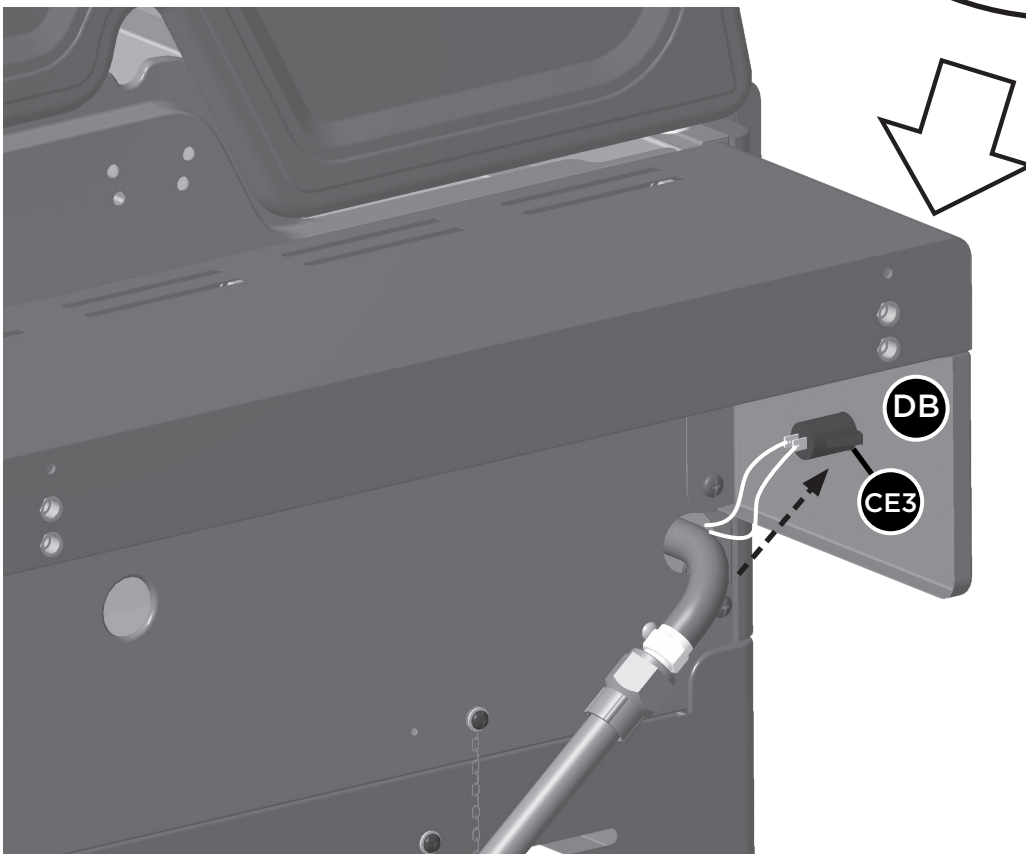
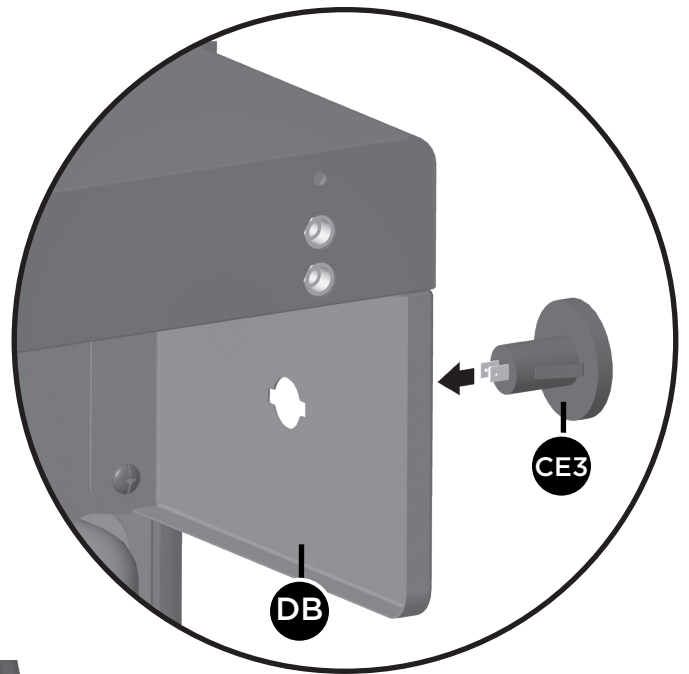
D.



ASSEMBLY INSTRUCTIONS

8

E.



ASSEMBLY INSTRUCTIONS

9

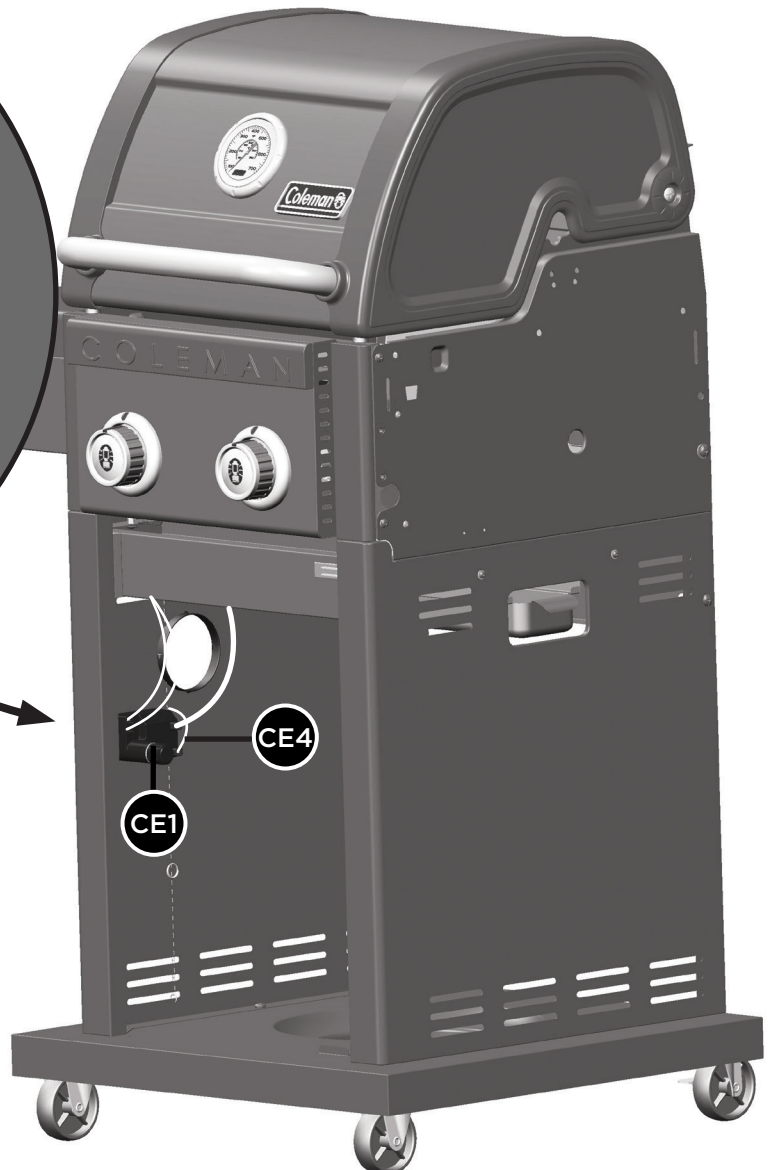
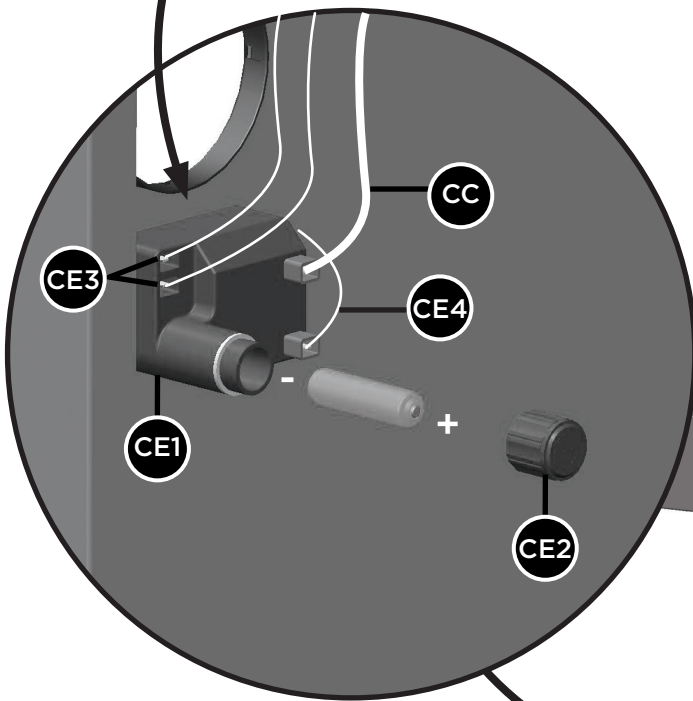
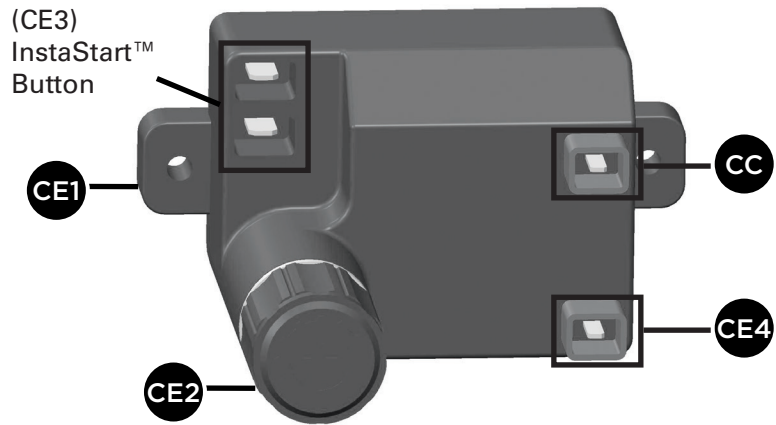
12



X 1

Electronic Ignition Wire Assembly

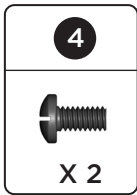
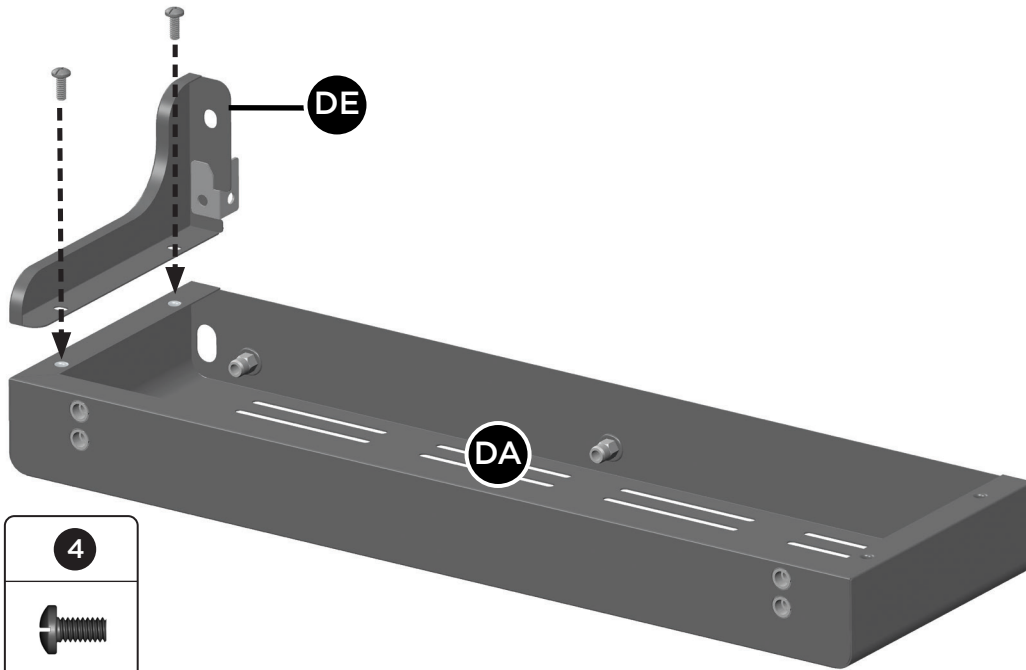
The electrode wires for main burner electrode set (CC), instastart button (CE3) can be found under the control panel (CG), attached to the manifold (CA). Insert them and the ground wire (CE4) into the electronic ignition (CE1). Insert one "AA" battery into the compartment with the positive end facing outward. Secure using the battery cover (CE2).



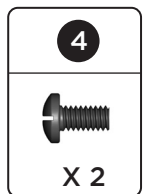
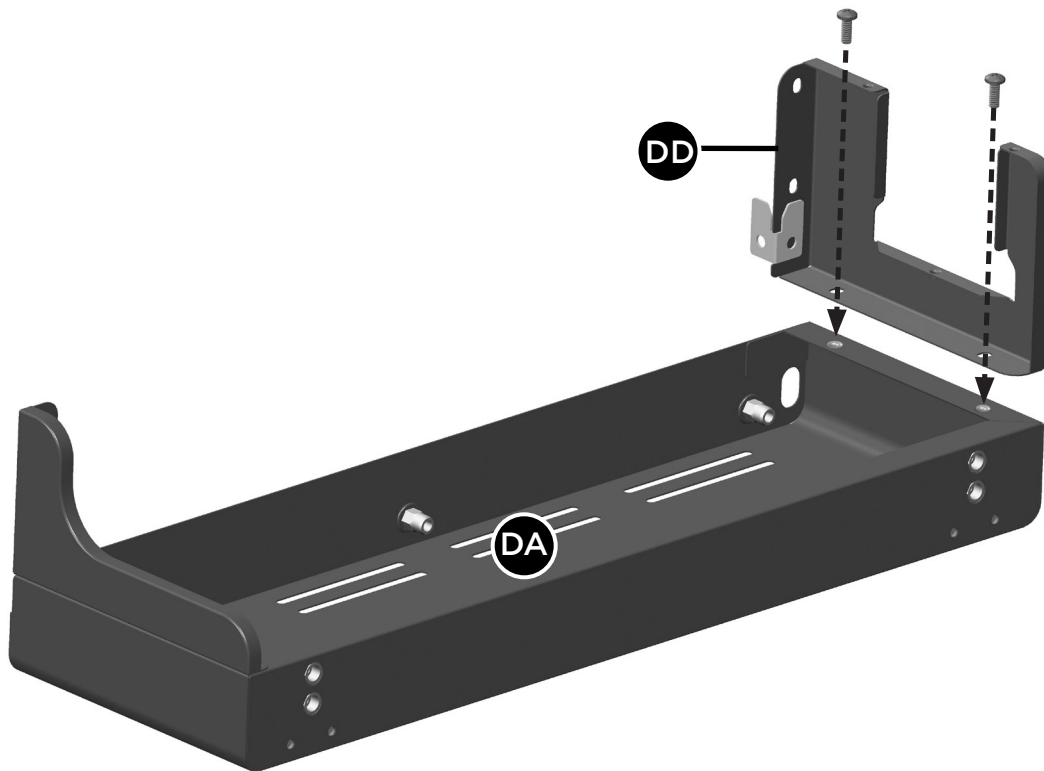
ASSEMBLY INSTRUCTIONS

10

A.



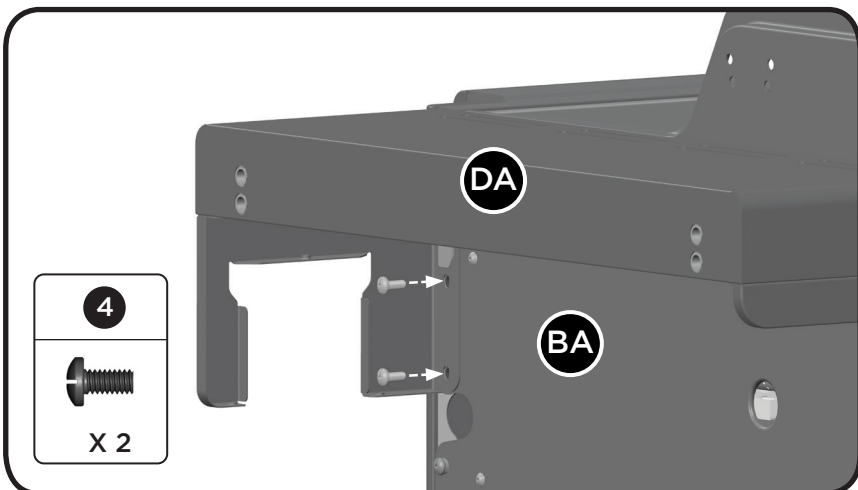
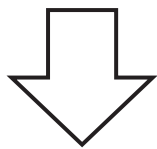
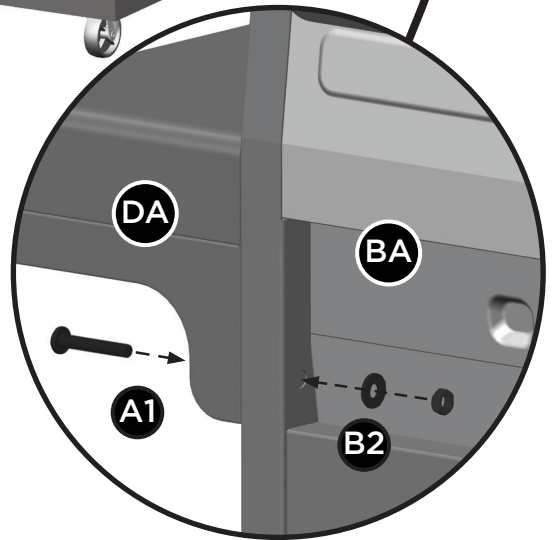
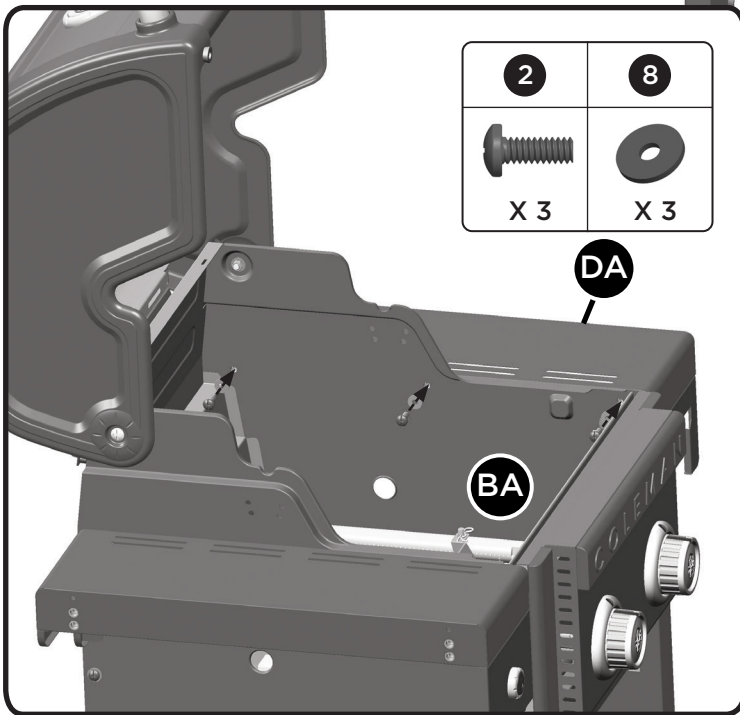
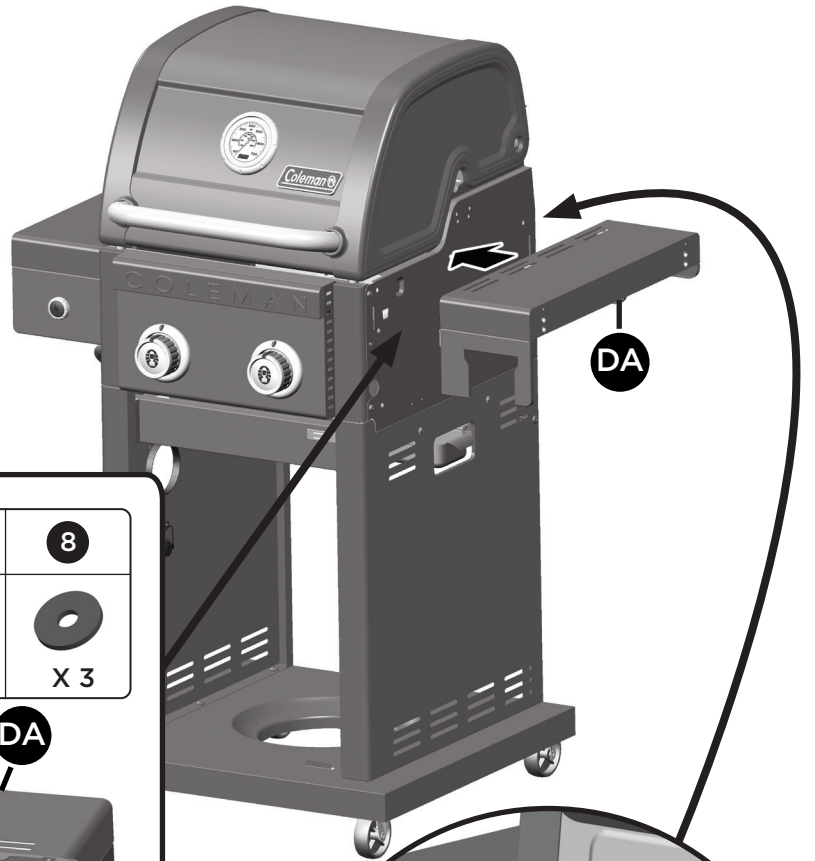
B.



ASSEMBLY INSTRUCTIONS

11

TIP:
Ensure that the rubber side of the rubberized washer makes contact with the burner box.

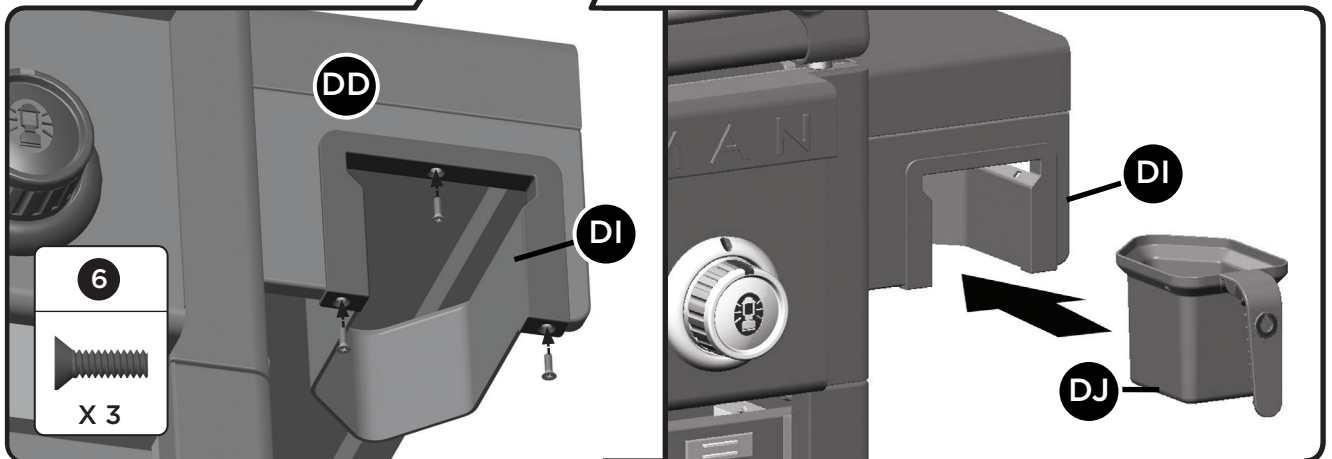


A1
1
X 1

B2	
8	9
X 1	X 1

ASSEMBLY INSTRUCTIONS

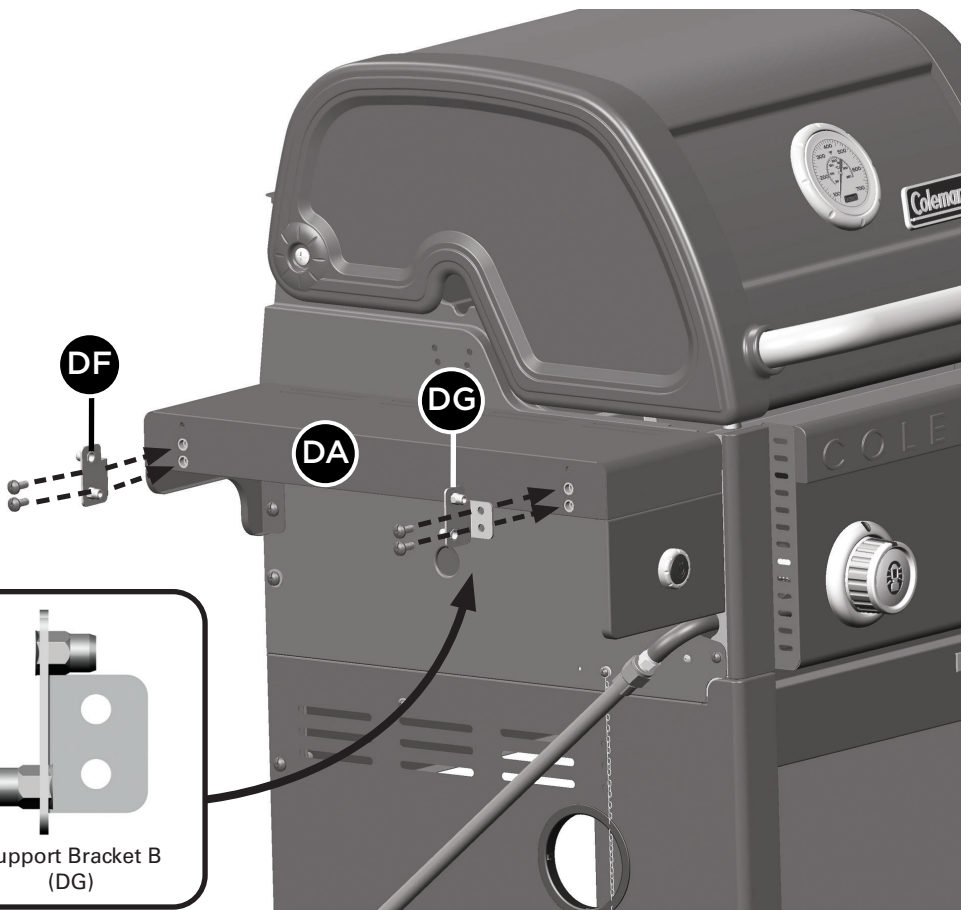
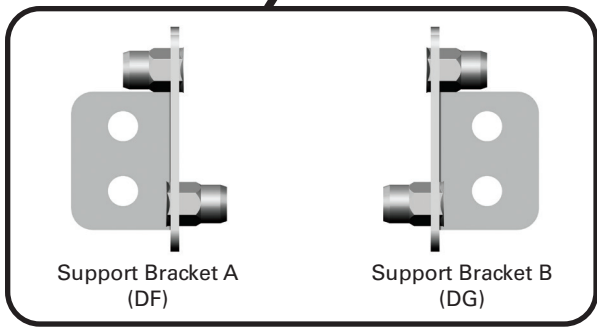
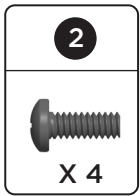
12



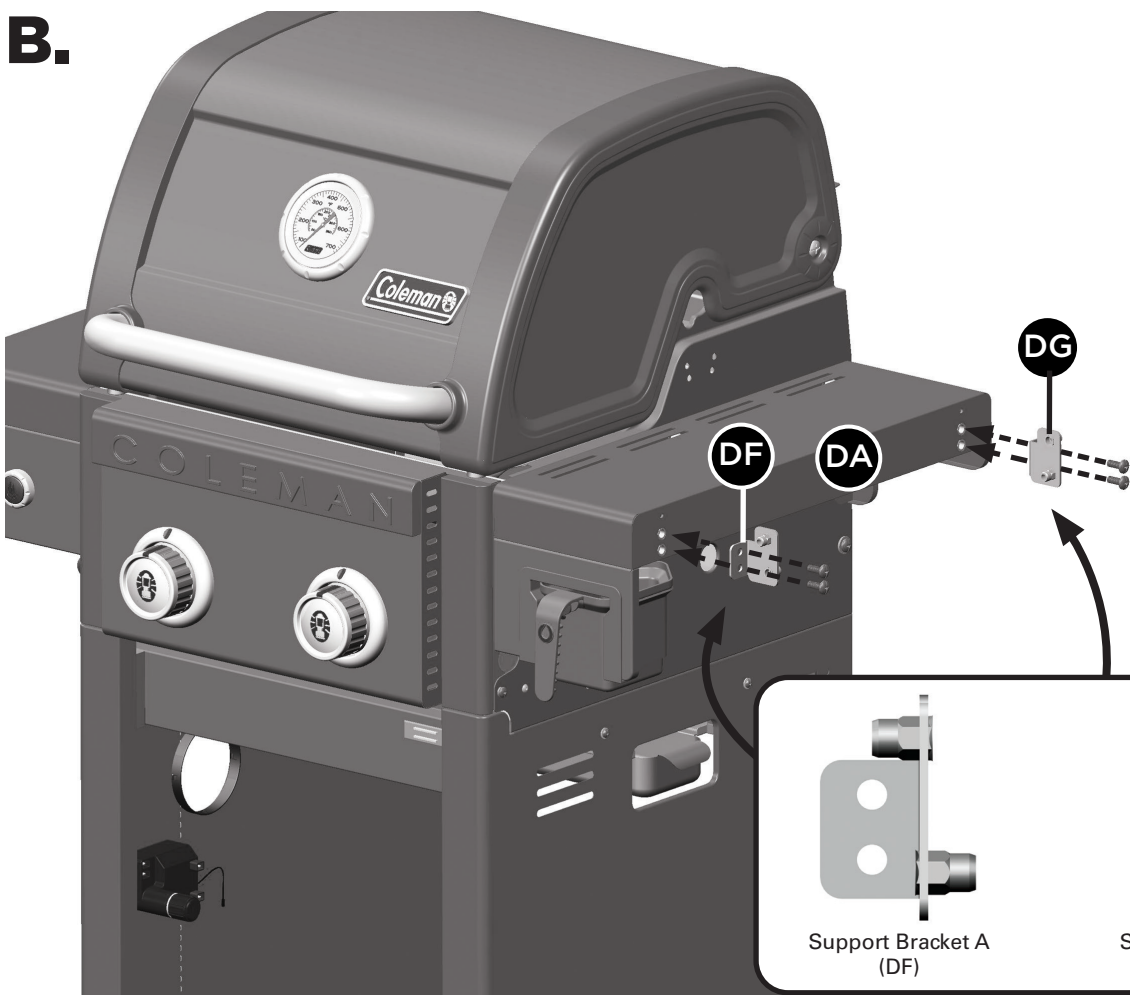
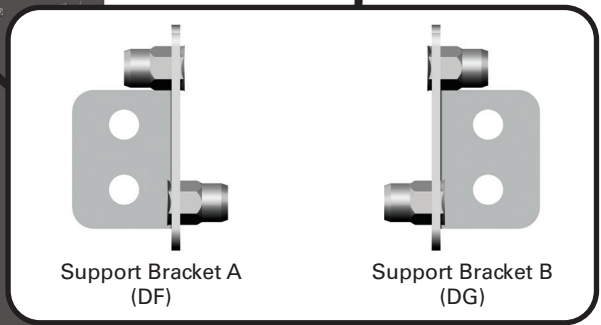
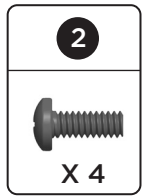
ASSEMBLY INSTRUCTIONS

13

A.



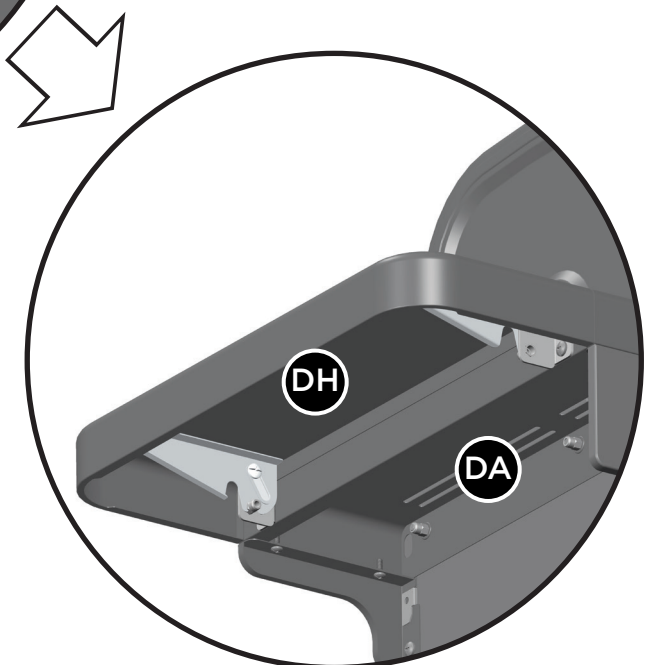
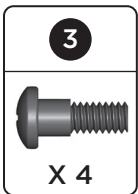
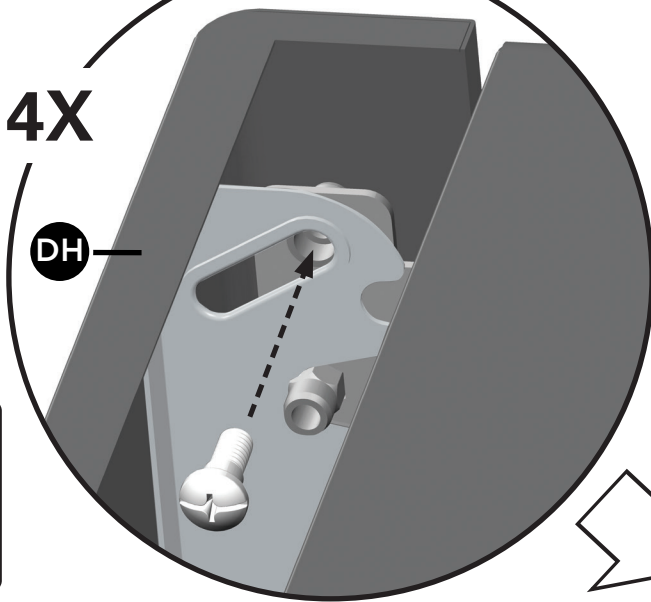
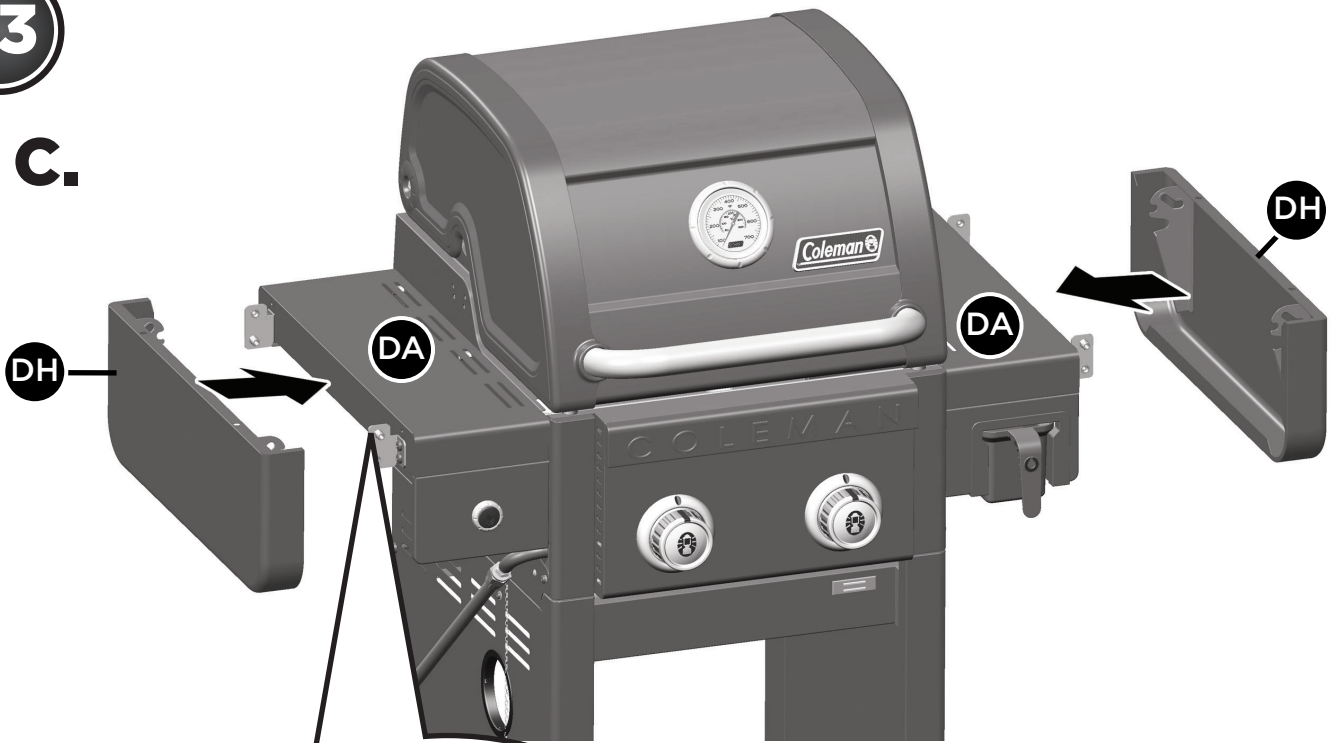
B.



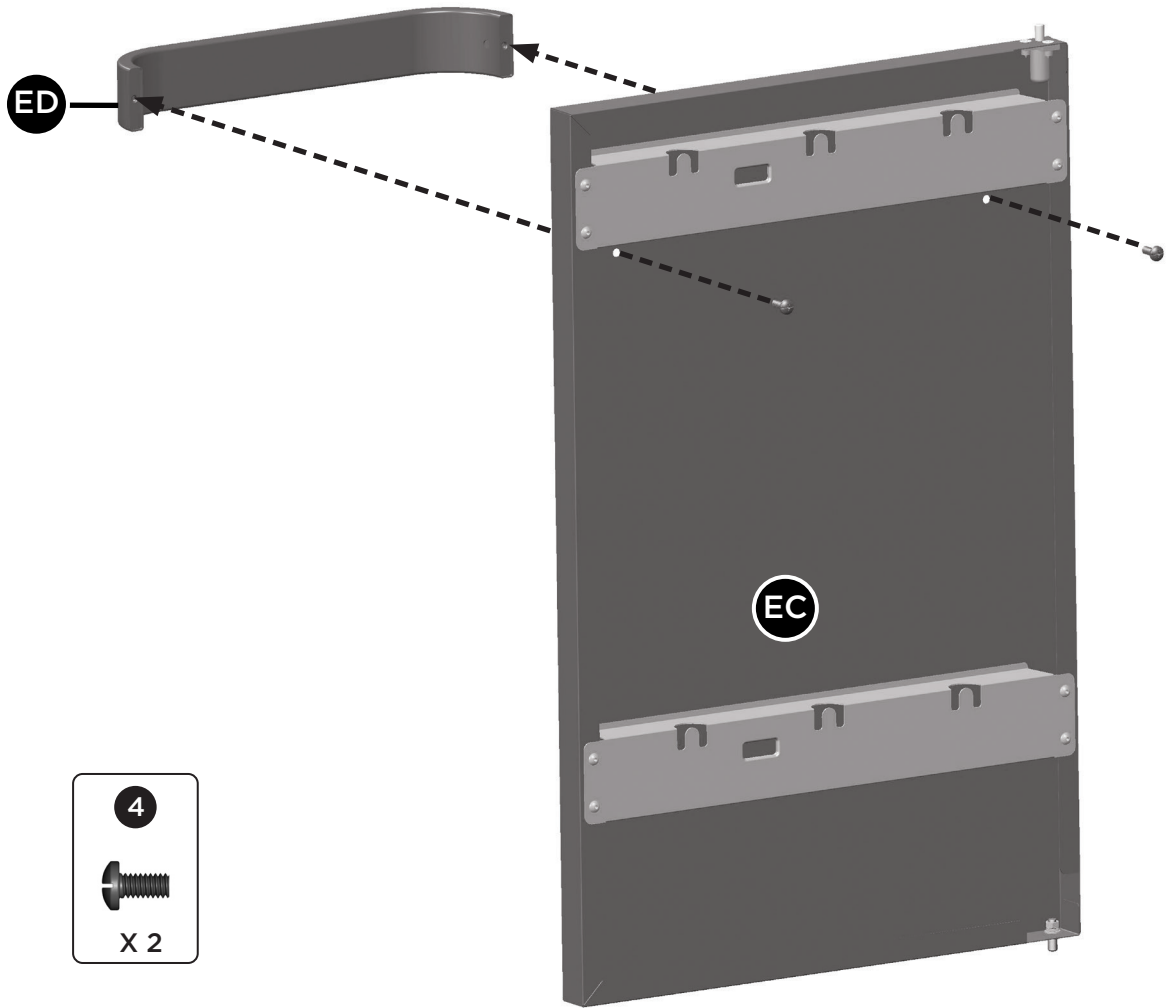
ASSEMBLY INSTRUCTIONS

13

C.

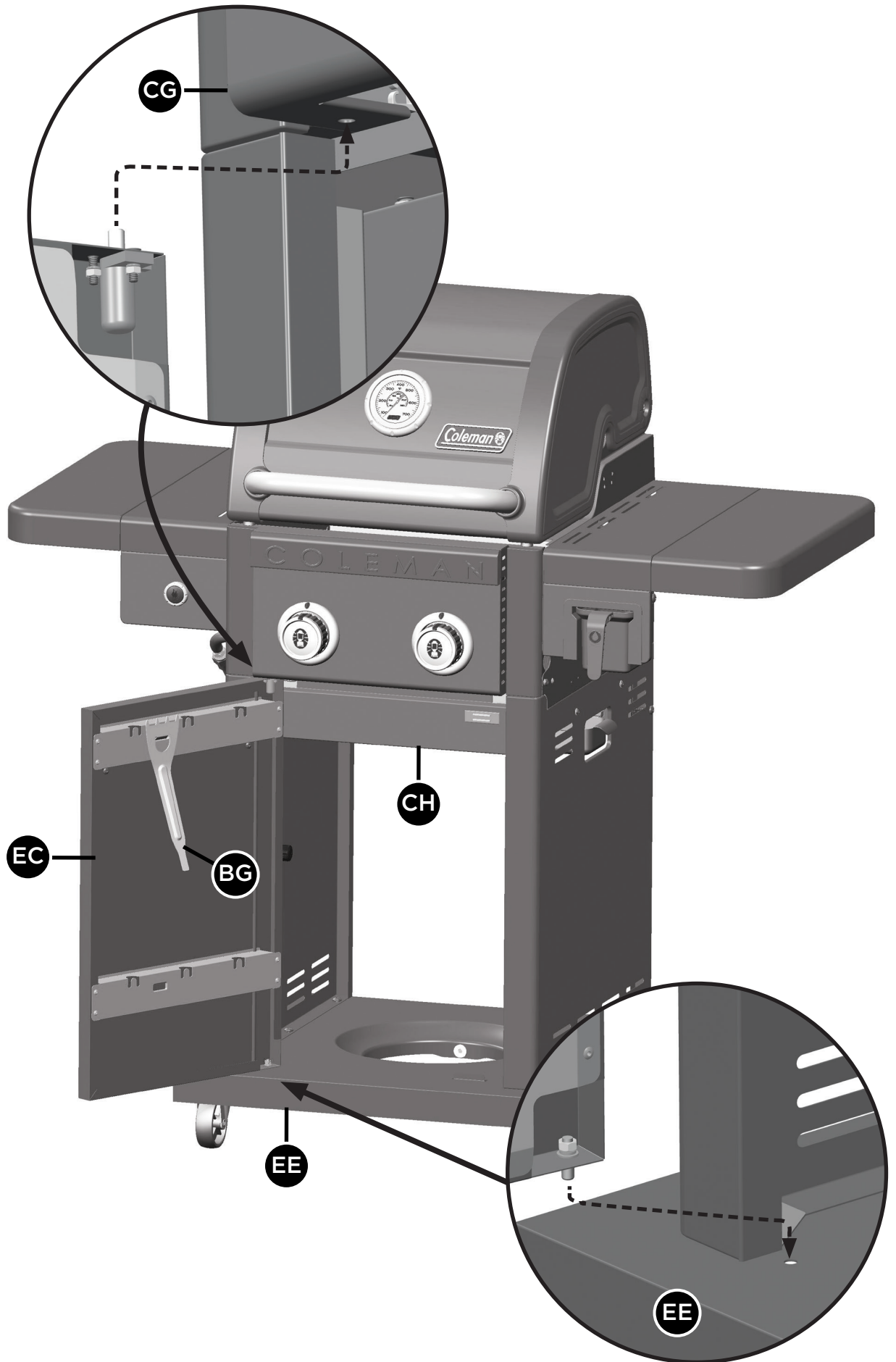


14



ASSEMBLY INSTRUCTIONS

15



ASSEMBLY INSTRUCTIONS



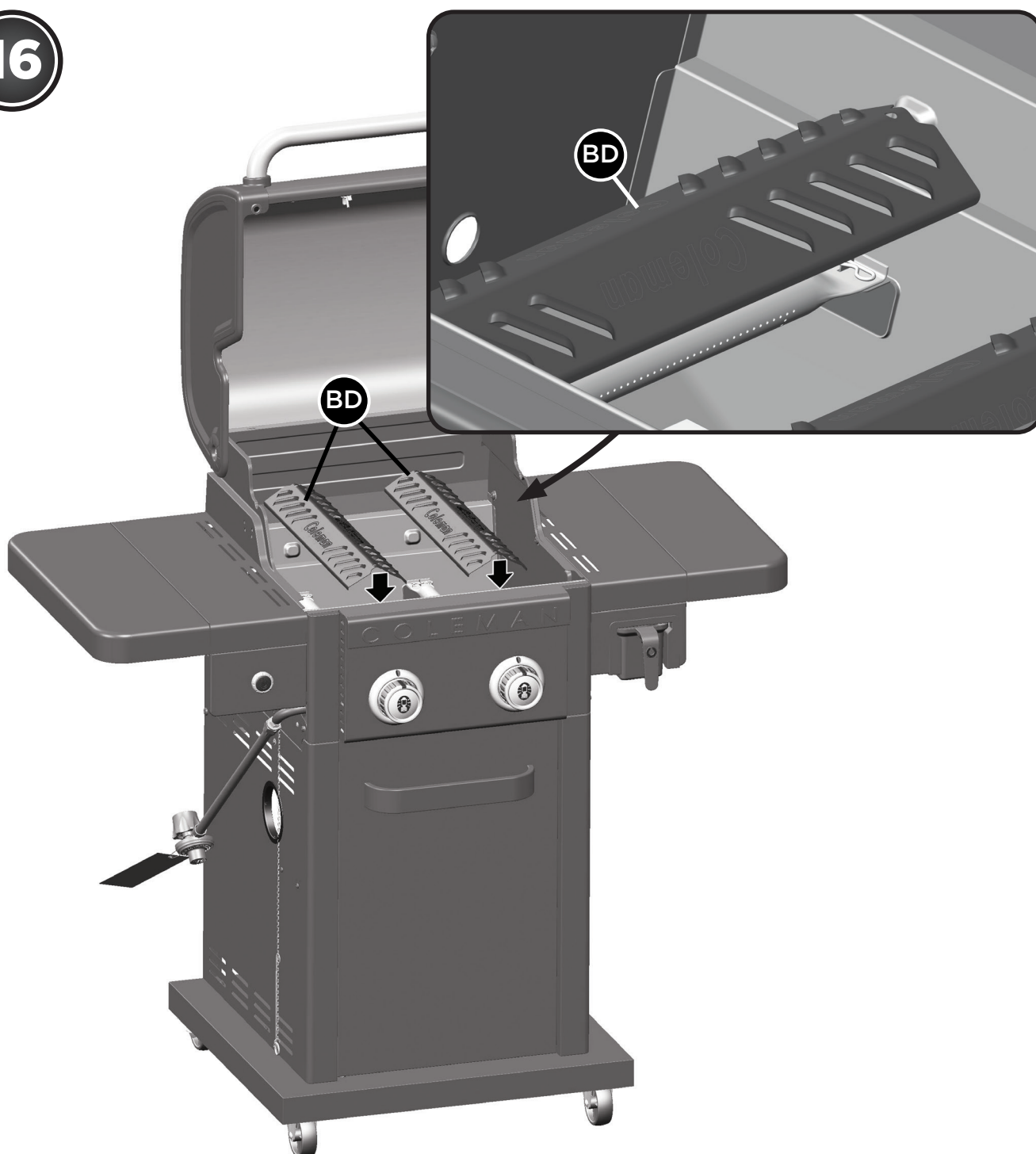
CONVERTIBLE VALVE SYSTEM™

ATTENTION: YOUR MODEL includes the CONVERTIBLE VALVE SYSTEM™. If you would like to convert your barbecue from PROPANE to NATURAL GAS, the following kit is required

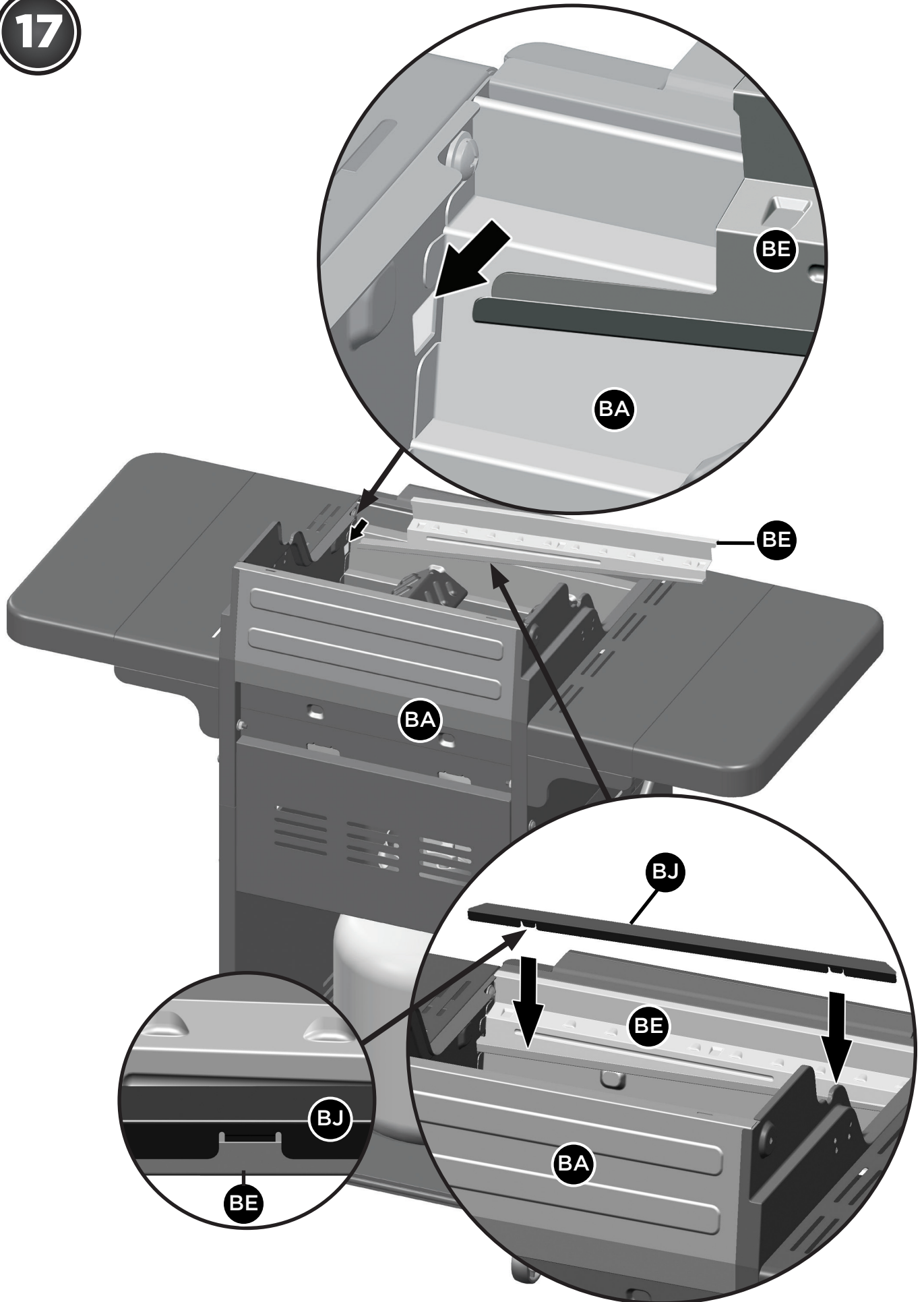
Convertible Valve System™ Natural Gas Conversion Kit (Sold Separately).

Before completing steps 16 to 21, follow the steps outlined in the CONVERTIBLE VALVE SYSTEM™ instruction manual that accompanied the kit.

16



17



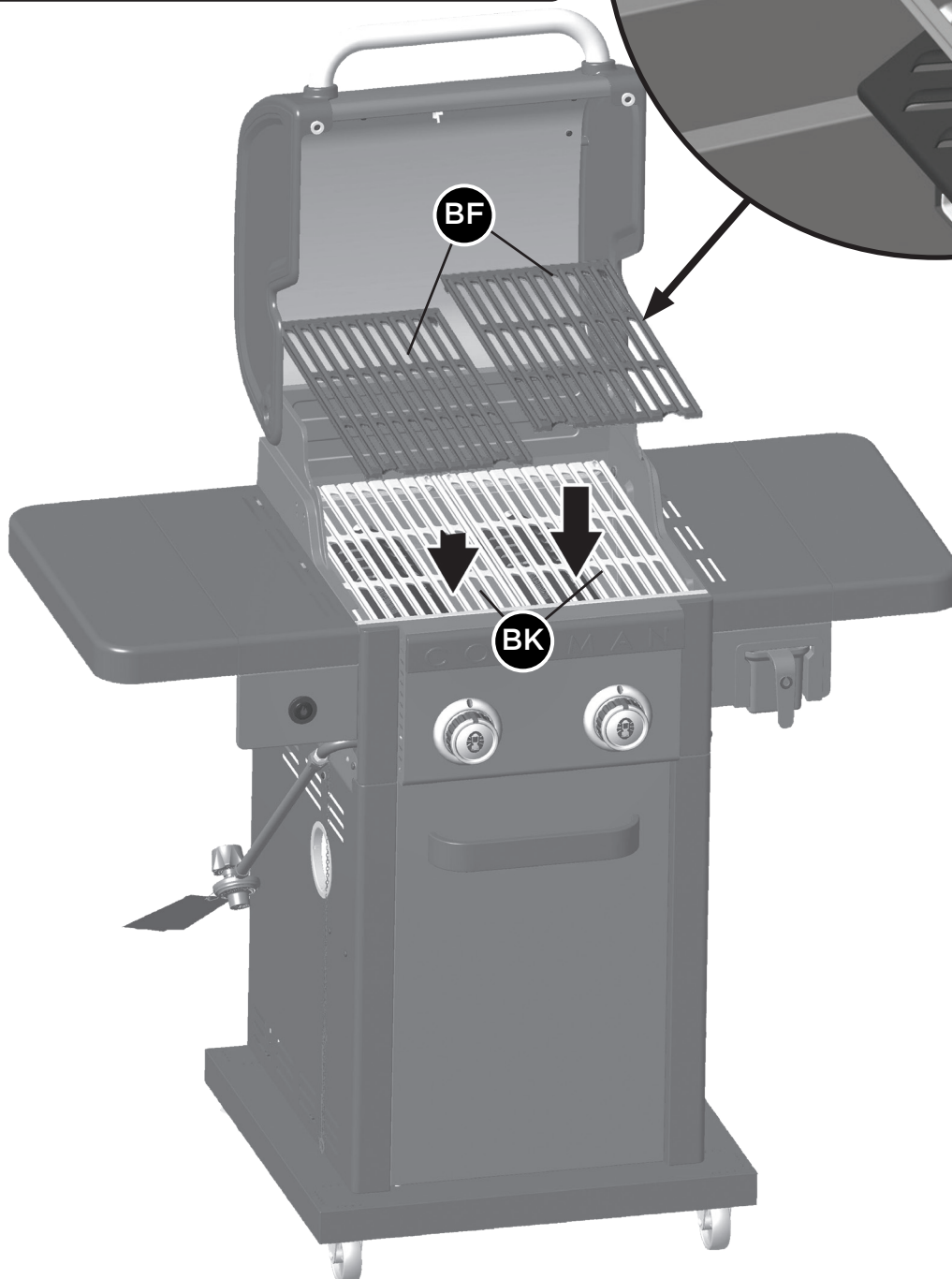
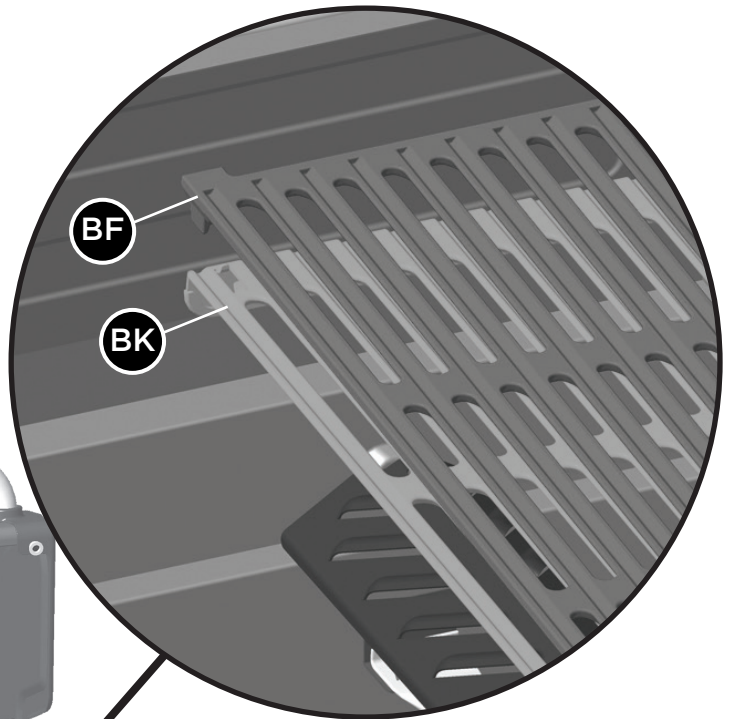
ASSEMBLY INSTRUCTIONS

18

ATTENTION:
STACK GRATES BEFORE
POSITIONING.

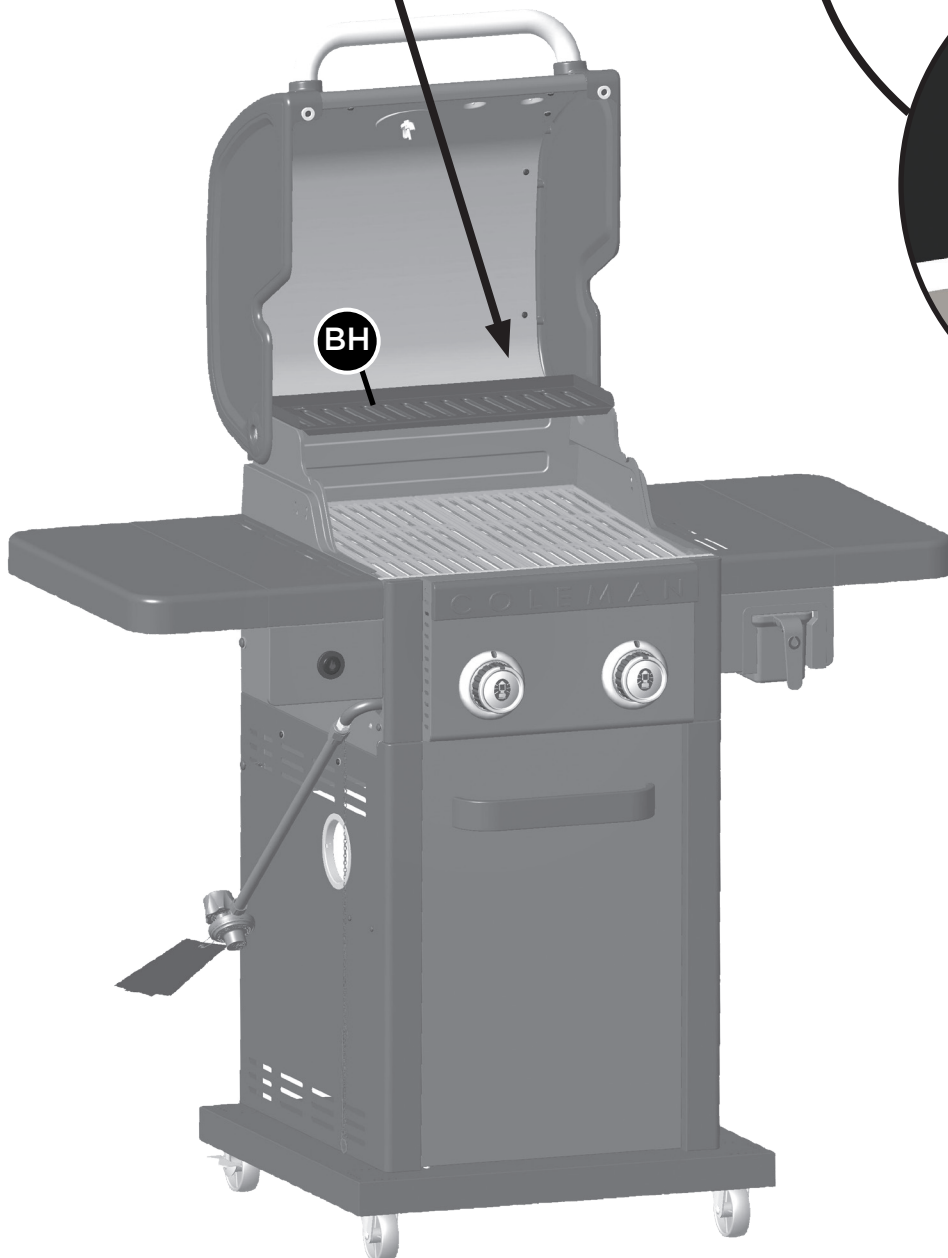
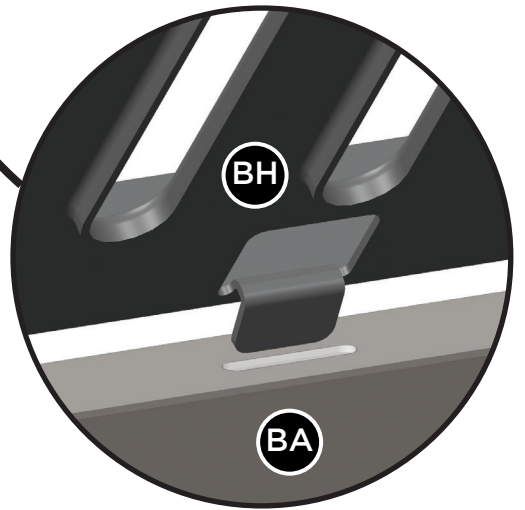
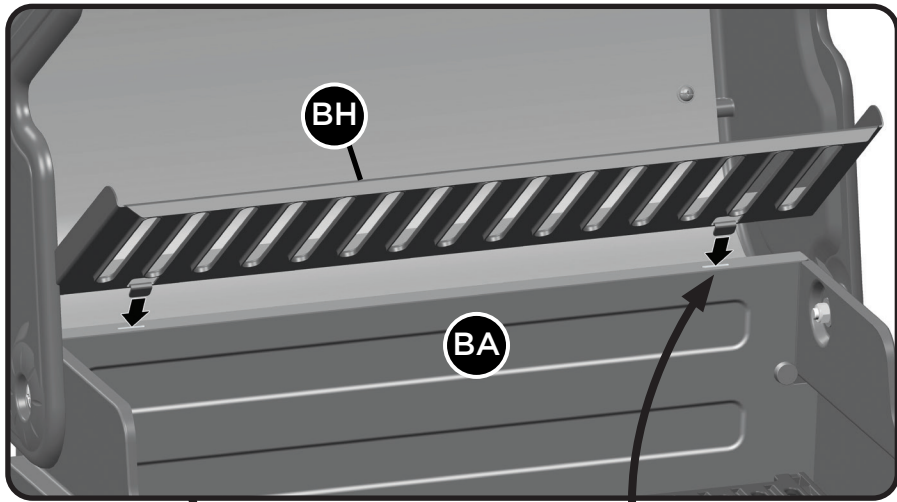
Upper Cooking Grate:
BF - Porcelain Cast Iron Cooking Grate

Lower Cooking Grate:
BK - Stamped Steel Cooking Grate



ASSEMBLY INSTRUCTIONS

19



20

**FOR PROPANE MODEL ONLY.
FOR NATURAL GAS MODEL, FOLLOW STEP 21.**



21 HOW TO CONVERT YOUR GRILL TO NATURAL GAS

This grill is sold propane-ready. To convert it to natural gas, purchase the Coleman Convertible Valve System Kit.



CONVERTIBLE VALVE SYSTEM™

ADDITIONAL WARNINGS

You have now completed the assembly of your Coleman® Revolution™ grill.

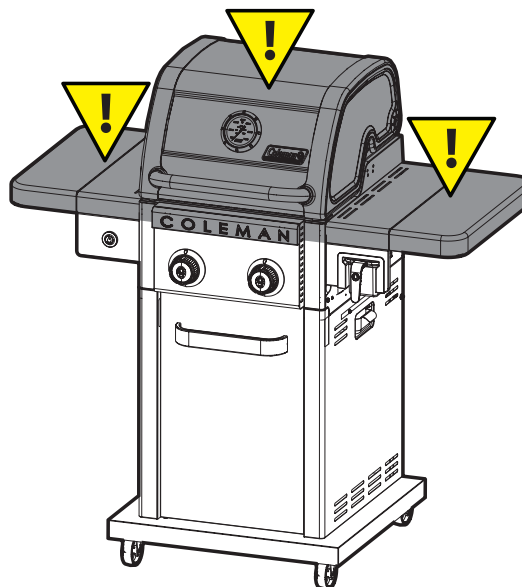
NEXT STEPS:

1. Position your Grill
2. Read Safe Use & Care Manual
3. Perform Grill Safety Check-list

WARNING:

- ▲ FOR YOUR FAMILIES SAFETY, DO NOT ATTEMPT TO LIGHT THIS GRILL UNTIL YOU HAVE REVIEWED PAGES 4-7 OF THE COLEMAN® SAFE USE & CARE MANUAL. ALL SAFETY AND LEAK TESTS MUST BE PERFORMED BY THE END USER, PRIOR TO LIGHTING THIS GRILL.

▲ WARNING HOT SURFACES:



POSITION YOUR GRILL

Always confirm that this grill is not positioned under a combustible object (e.g., an awning or umbrella) or in a covered area (e.g., porch or gazebo) before lighting it, to prevent a possible fire.

Always confirm that this grill is not positioned under the overhang of a house, a garage or other structure before lighting it. An overhang will serve to deflect flare-ups and radiate heat into the structure itself, which could result in a fire.

Always confirm that this grill is positioned more than 36" (91.4cm) away from any combustible materials or surfaces before lighting it, and that no gasoline or other volatile substances are stored in the vicinity of this grill. The temperature of a grease fire or of the radiated heat might otherwise be sufficient to ignite nearby combustibles or volatile substances. Do not position near windows, siding, or fencing.



Always locate the grill where there will be ample combustion and ventilation air, but never position it in the direct path of a strong wind.

Level your grill for optimal performance of Flare-Free Technology™.



Licensed by BackHome Products LLC.

©2024 The Coleman Company, Inc.

Coleman®,  and  are registered trademarks of
The Coleman Company, Inc. used under license.