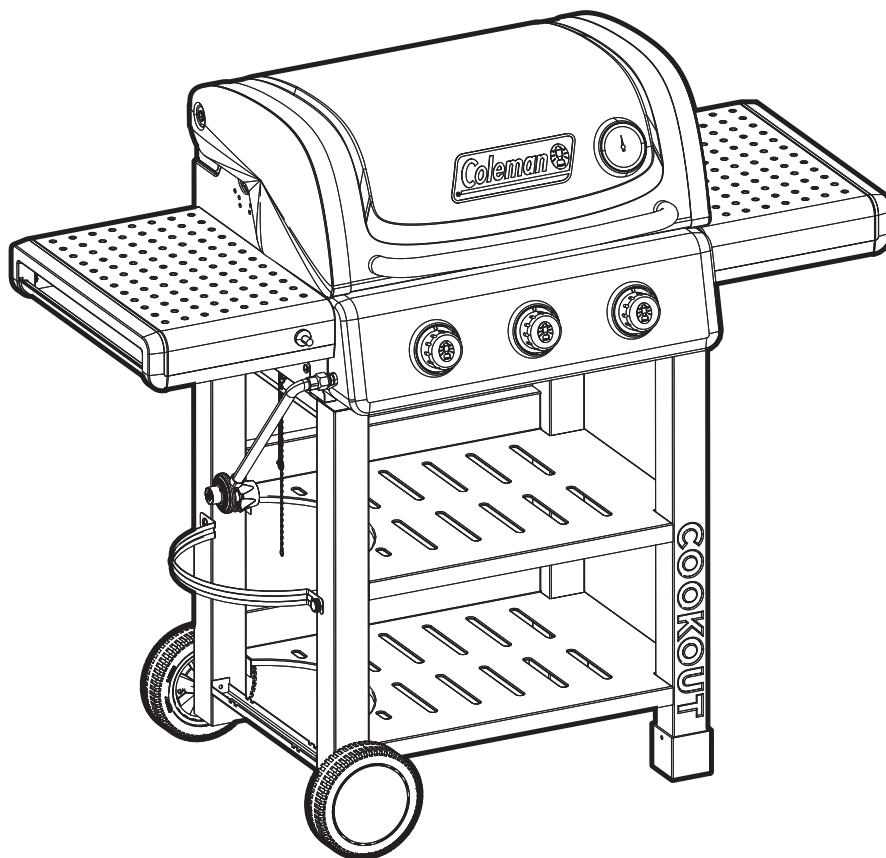




# COOKOUT™ 3 BURNER BARBECUE



## ASSEMBLY MANUAL

CO-300BBQ (G45153) Propane Barbecue

### LIMITED 2-YEAR WARRANTY

Read and save manual for future reference.

Assemble your grill immediately. Missing or damaged parts should be claimed within 30 days of purchase.

For product inquiries, parts, warranty and troubleshooting support, please call 1-800-249-2506.



Master No. 211648



# IMPORTANT SAFETY WARNINGS



## THIS MANUAL MUST REMAIN WITH THIS PRODUCT AT ALL TIMES



### CAUTION

Read and follow all safety statements, assembly instructions, use and care directions before attempting to assemble and cook.

### INSTALLER OR ASSEMBLE /RCONSUMER

Read and follow all safety statements, assembly instructions, use and care directions before attempting to assemble and cook.

### WARNING

Failure to follow all of the Manufacturer's instructions could result in hazardous fires, explosions, property damage, or serious personal injury or even death.

Follow all leak check procedures carefully prior to operation of grill, even if grill was dealer assembled. Do not try to light this grill without reading the Lighting Instructions section of the Safe Use and Care manual.

### DANGER

1. If you smell gas:
  - a. Shut off gas to the appliance.
  - b. Extinguish any open flame.
  - c. Open lid.
  - d. If odor continues, keep away from the appliance and immediately call your gas supplier or your fire department.
2. Do not store or use gasoline or other flammable liquids or vapors in the vicinity of this or any other appliance.
3. LP gas cylinder not connected for use shall not be stored in the vicinity of this or any other appliance.

### CAUTION

IN DIRECT SUN, AND IN OPERATION, YOUR GRILL'S STAINLESS STEEL AND PAINTED STEEL PARTS CAN BECOME VERY HOT.



**THIS GRILL IS FOR OUTDOOR USE ONLY**



**CONTACT CUSTOMER CARE IF ANY PARTS ARE MISSING.**

**1-800-249-2506**

# HARDWARE PACK

## TOOLS NEEDED FOR ASSEMBLY

- #2 Phillips screwdriver (long and short)
- 1/4" Slotted screwdriver (long and short)
- Adjustable wrench
- Pliers

No.	Description	Part Number	Qty.
1	1/4"-20UNCX13 Screw	20120-13013-250	40
2	NO.10-24UNC x10 Screw	20124-10010-250	4
3	Screw, Gas Tank Support	G466-0007-9000	1
4	Wheel Spacer	G305-0024-9088	2
5	Wheel Washer	40300-08000-036	1
6	Hitch Pin	G306-0005-9088	1

**⚠ Caution:**  
Sheet metal can cause injury. Wear gloves when installing the grill.

1



1/4"-20UNCx13 Screw  
X 40

2



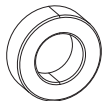
NO.10-24UNC x10 Screw  
X 4

3



Screw, Gas Tank Support  
X 1

4



Wheel Spacer  
X 2

5



Wheel Washer  
X 1

6



Hitch Pin  
X 1

## BEFORE ASSEMBLING THIS GRILL, READ THE INSTRUCTIONS CAREFULLY.

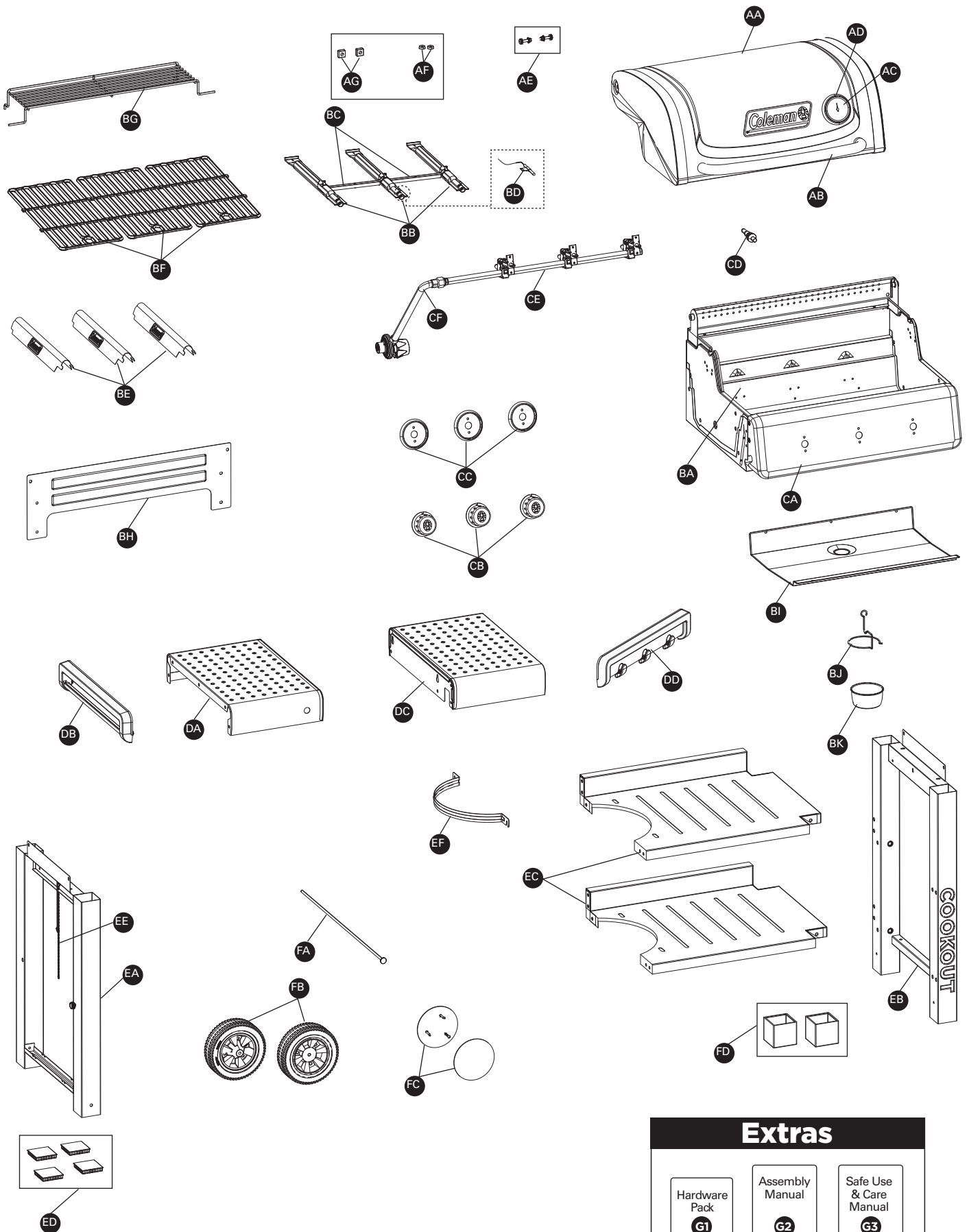
Assemble the grill on a flat, clean surface. Grill is heavy. Two people are recommended to assemble this grill.

# PARTS LIST FOR CO-300BBQ (G45153)

Item No.	Qty.	Description	Part No.	Item No.	Qty.	Description	Part No.
AA	1	Top Lid Assembly	G451-X200-01	FA	1	Wheel Axle	G451-000G-01
AB	1	Lid Handle	G451-0093-01	FB	2	Wheel	G319-0014-01
AC	1	Thermometer	G451-0094-01	FC	2	Wheel Cap	G451-000F-01
AD	1	Thermometer Bezel	G451-000C-01	FD	2	Feet	G451-000E-02
AE	2	Screw,Top Lid	G309-0008-01				
AF	2	Lid Bumper, Front	G527-0002-01	G1	1	Hardware Pack	G451-B053-01
AG	2	Lid Bumper, Rear	G451-0098-01	G2	1	Assembly Manual	G451-M053-01
				G3	1	Safe Use and Care Manual	G451-M053-02
BA	1	Burner Box Assembly	G451-2J00-01				
BB	3	Main Burner	G451-Y400-01				
BC	2	Carryover Assembly	G451-0041-01				
BD	1	Electrode Set, Main Burner	G451-000H-01				
BE	3	Heat Plate	G451-0040-01				
BF	3	Cooking Grate	G451-0096-01				
BG	1	Warming Rack	G451-0095-01				
BH	1	Upper Back Panel	G451-000B-01				
BI	1	Heat Shield - Tank	G451-6201-01				
BJ	1	Grease cup hook	G305-0043-01				
BK	1	Grease Cup - Burner Box	G430-0033-02				
CA	1	Control Panel	G451-Y601-01				
CB	3	Control Knob	G451-0099-01				
CC	3	Knob Bezel	G451-000A-01				
CD	1	Ignitor	G451-000D-01				
CE	1	Manifold Assembly	G451-Y500-01				
CF	1	Regulator	G402-0069-01				
DA	1	Side Shelf, Left	G451-2E00-01				
DB	1	Towel Holder	G451-X601-01				
DC	1	Side Shelf , Right	G451-2D00-01				
DD	1	Tool Holder	G451-X501-01				
EA	2	Cart Side,Left	G451-2F00-01				
EB	1	Cart Side,Right	G451-2G00-01				
EC	2	Shelves	G451-X800-01				
ED	4	Cart Leg Cap	G451-X701-01				
EE	1	Match Holder	G401-0079-01				
EF	1	Gas Tank Support	G451-X702-01				



# EXPLODED DIAGRAM FOR CO-300BBQ (G45153)



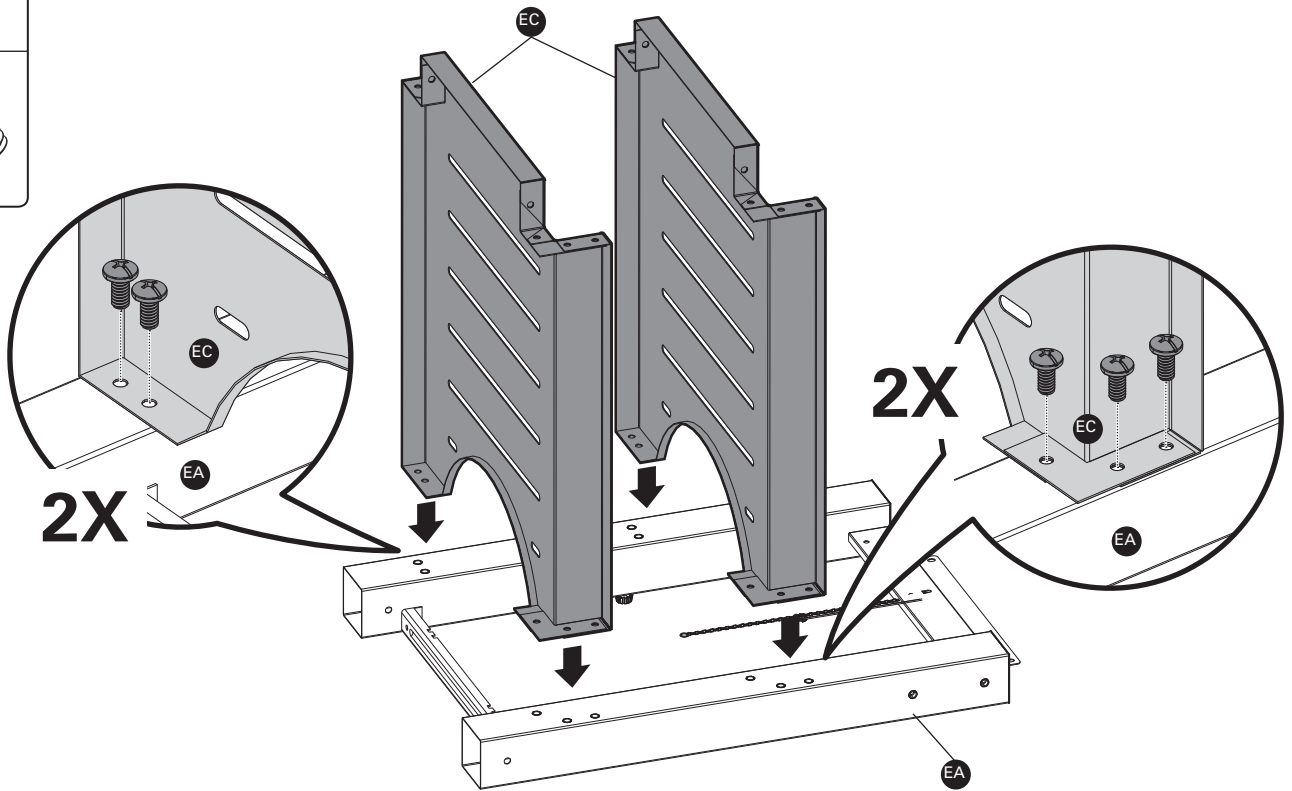
# ASSEMBLY INSTRUCTIONS

1

1



X 10

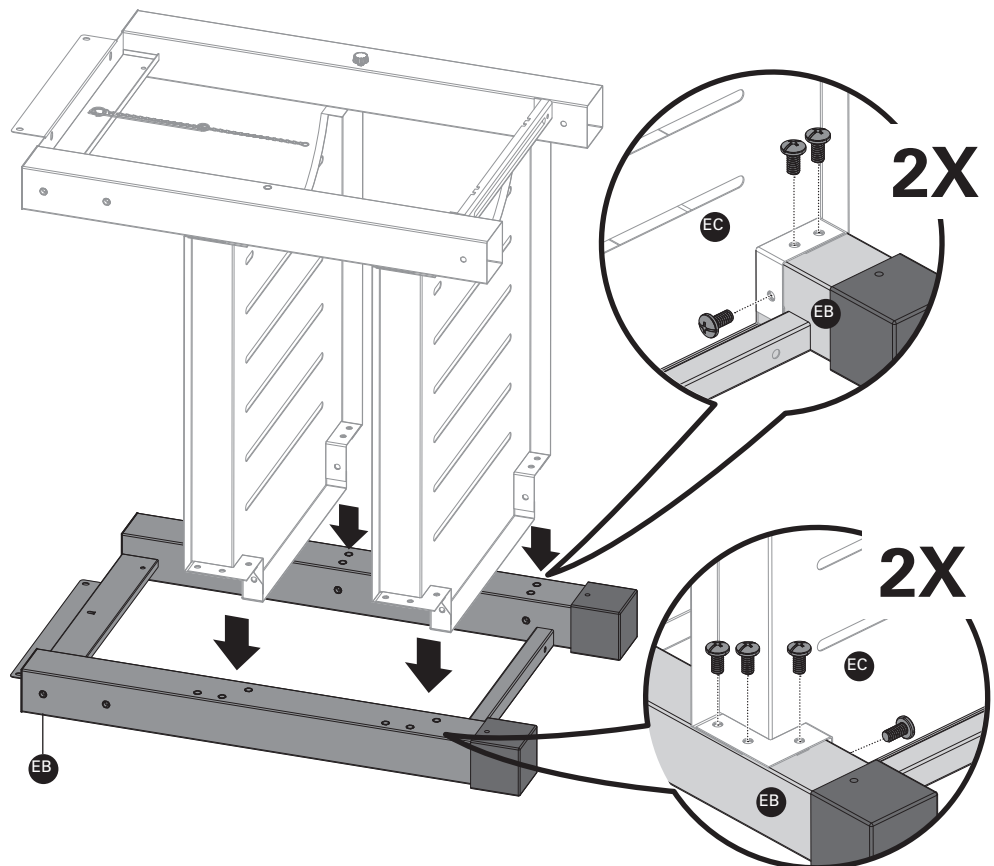


2

1






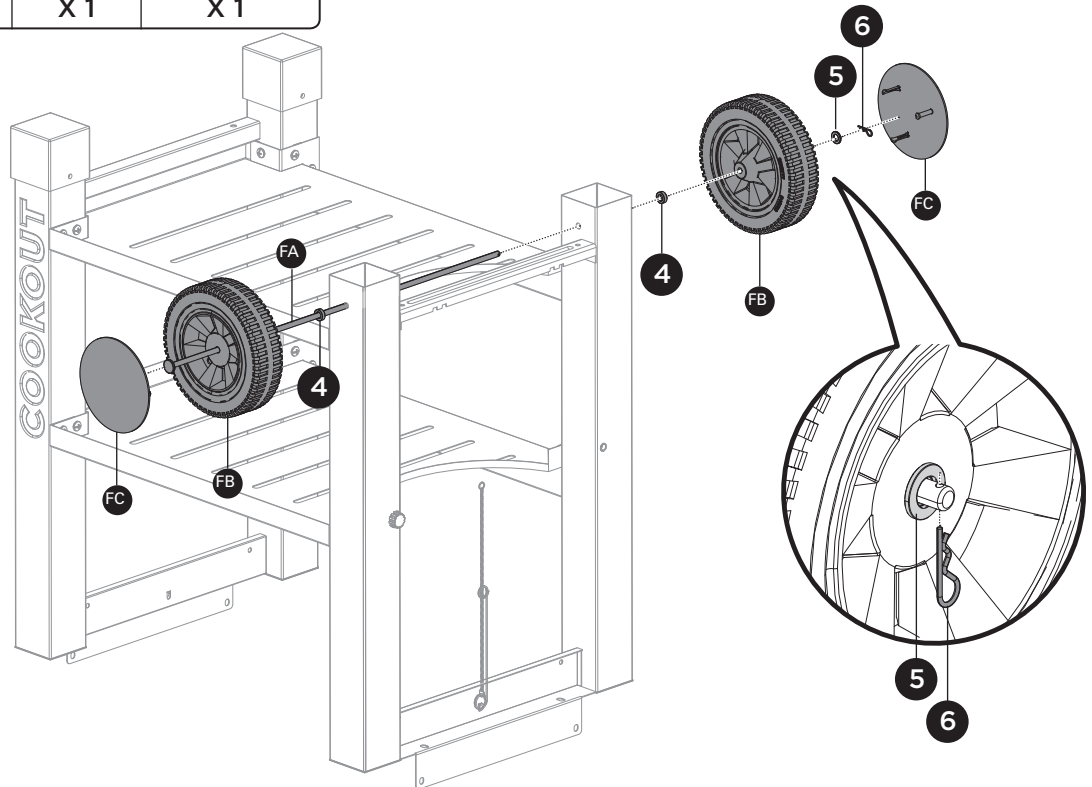
X 14



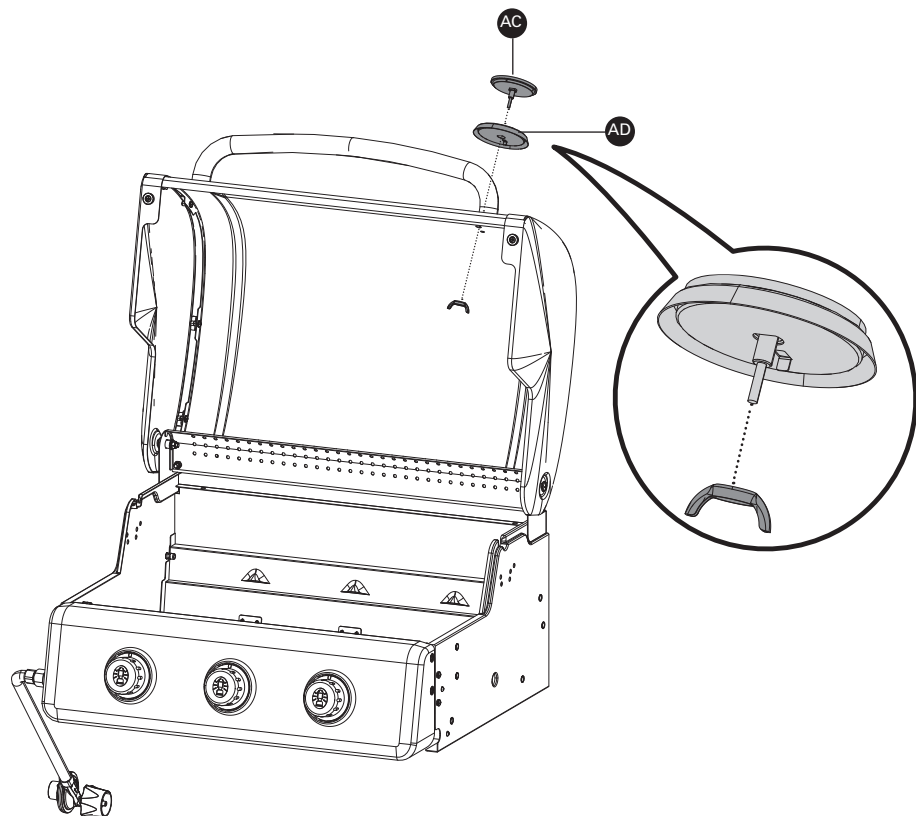
# ASSEMBLY INSTRUCTIONS

**3**

<b>4</b>	<b>5</b>	<b>6</b>
		
X 2	X 1	X 1



**4**



# ASSEMBLY INSTRUCTIONS

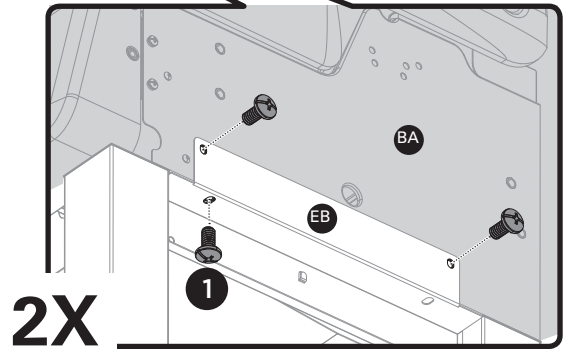
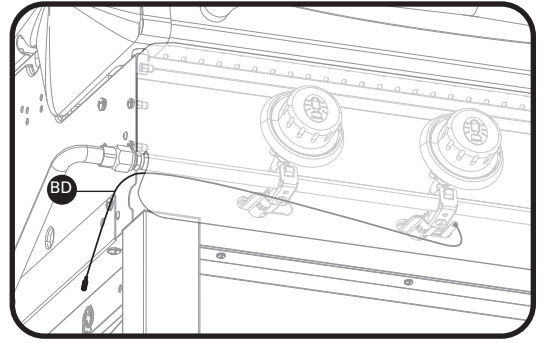
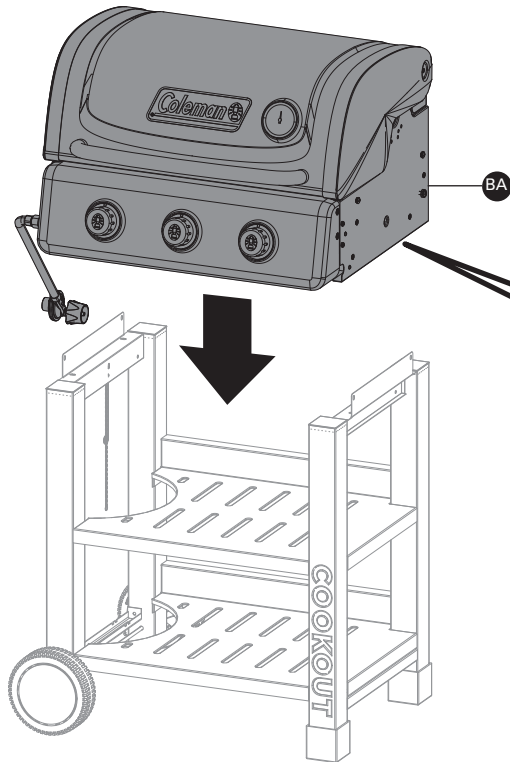
5

**Attention:** Feed the electrode set (BD) attached to the main burner, through the hole on the left side of the burner box.

1



X 6

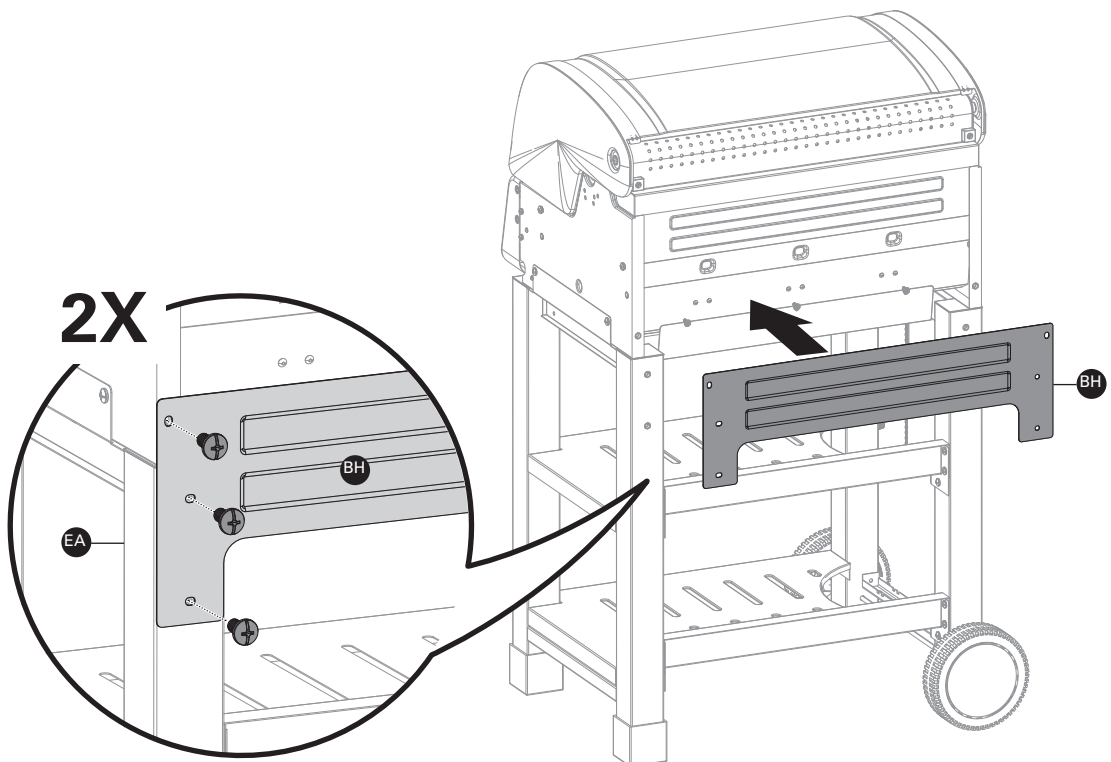


6

1

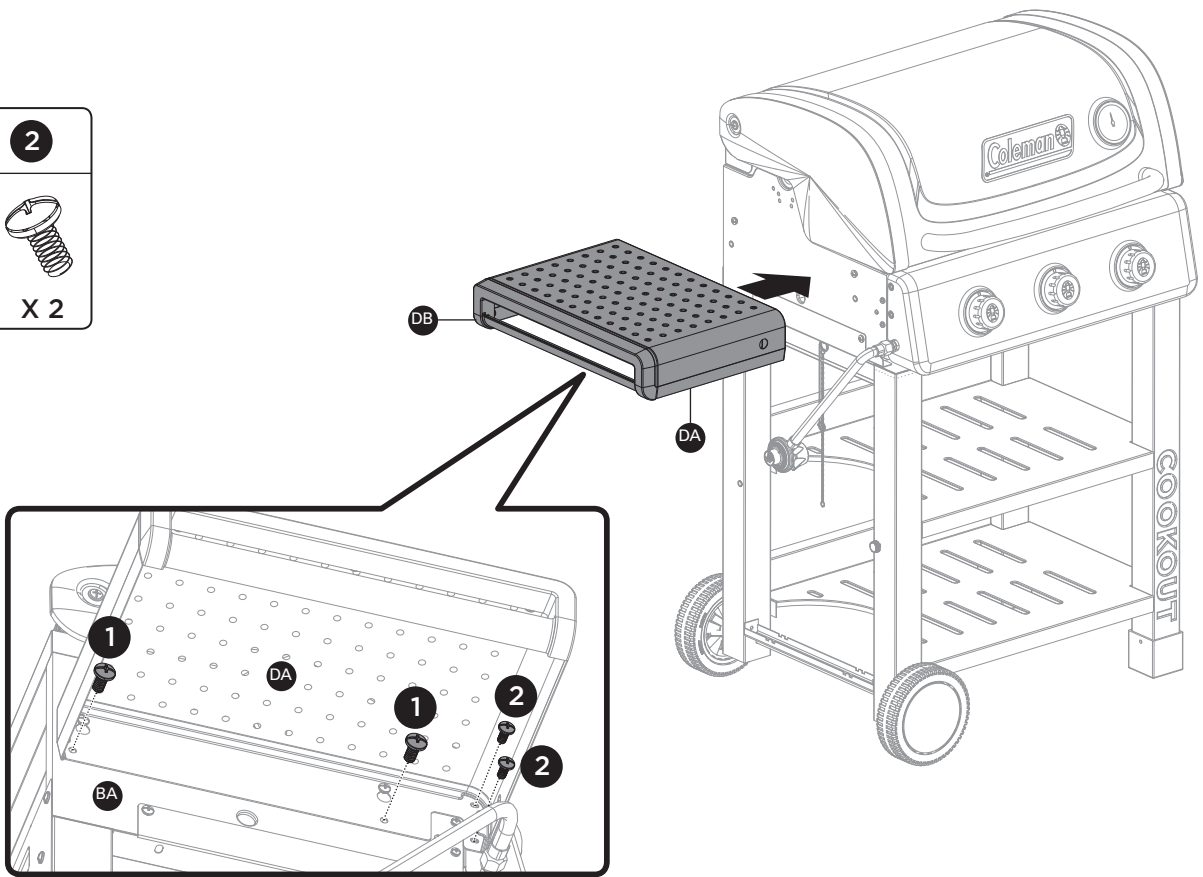
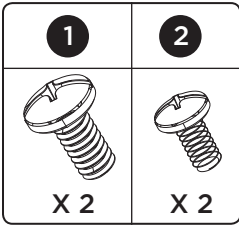


X 6

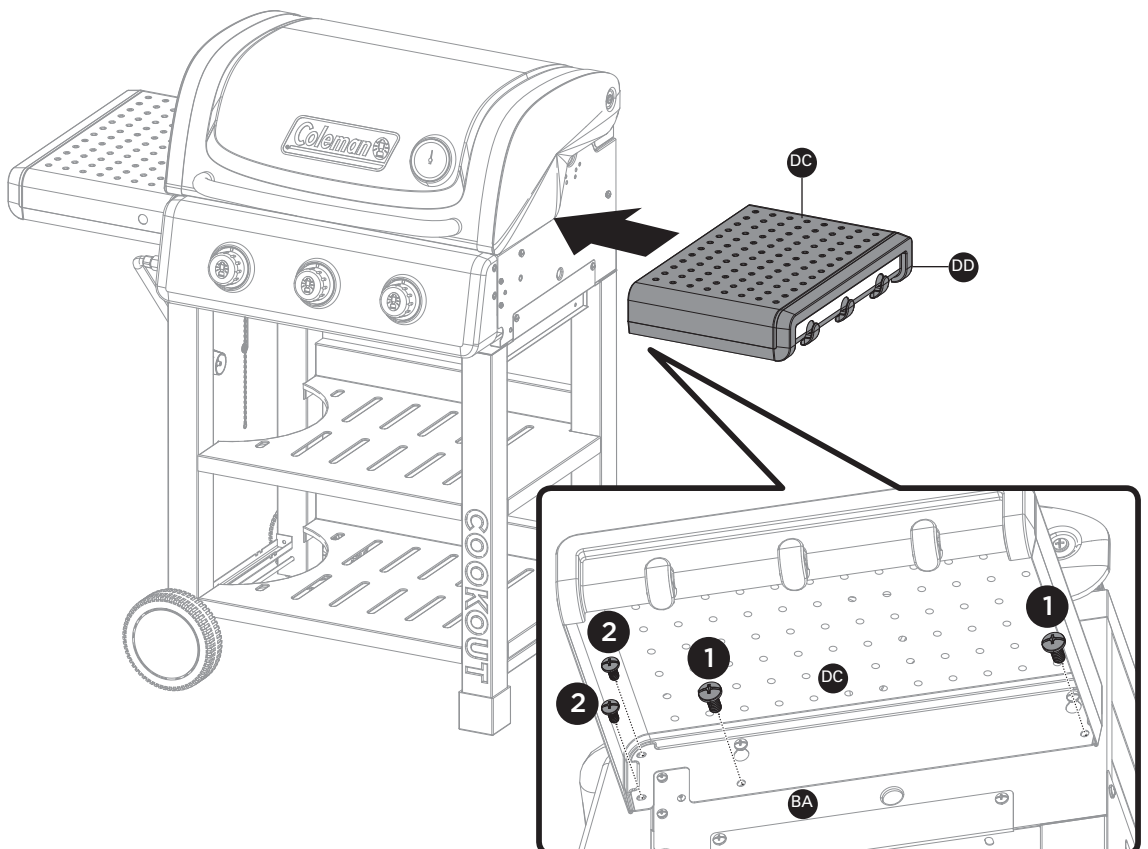
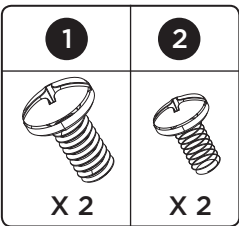


# ASSEMBLY INSTRUCTIONS

7

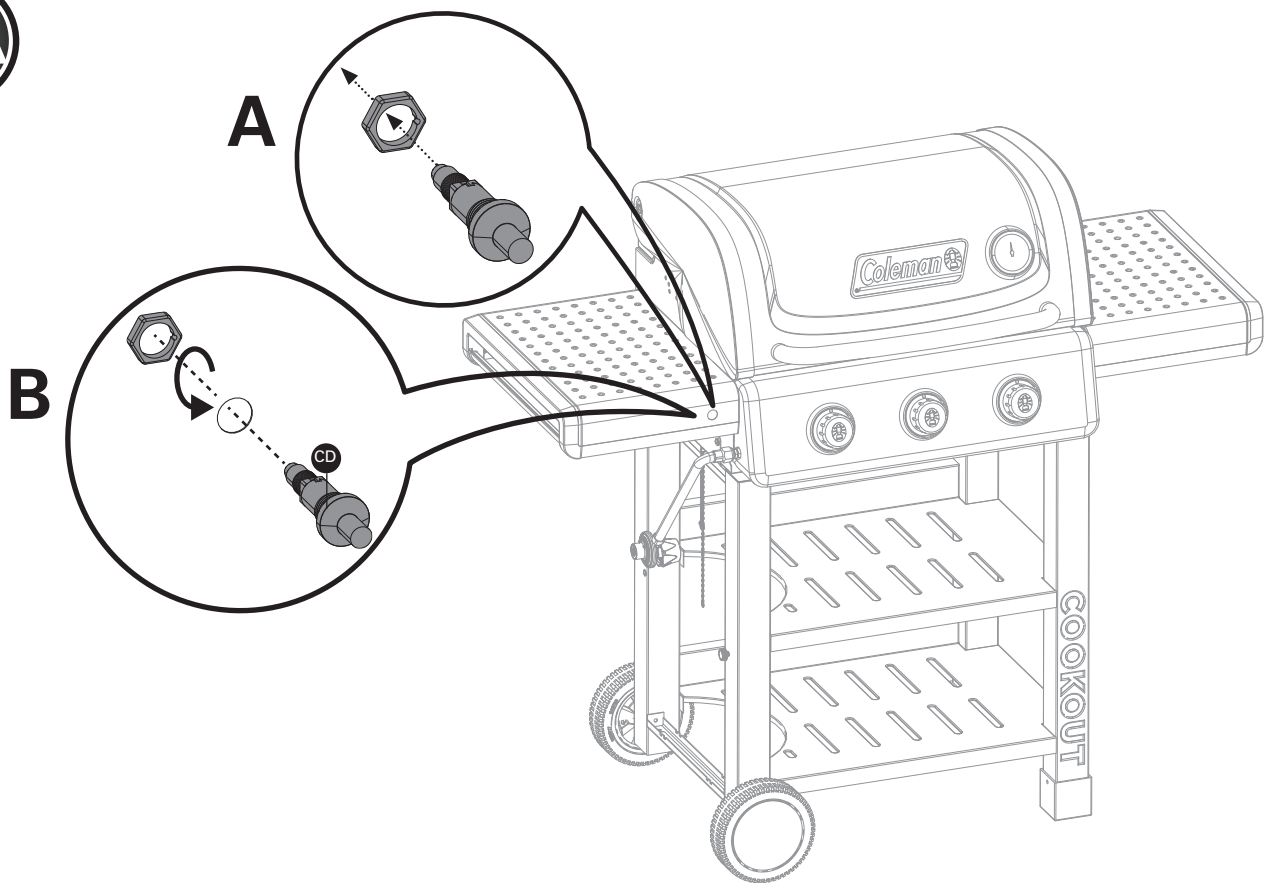


8



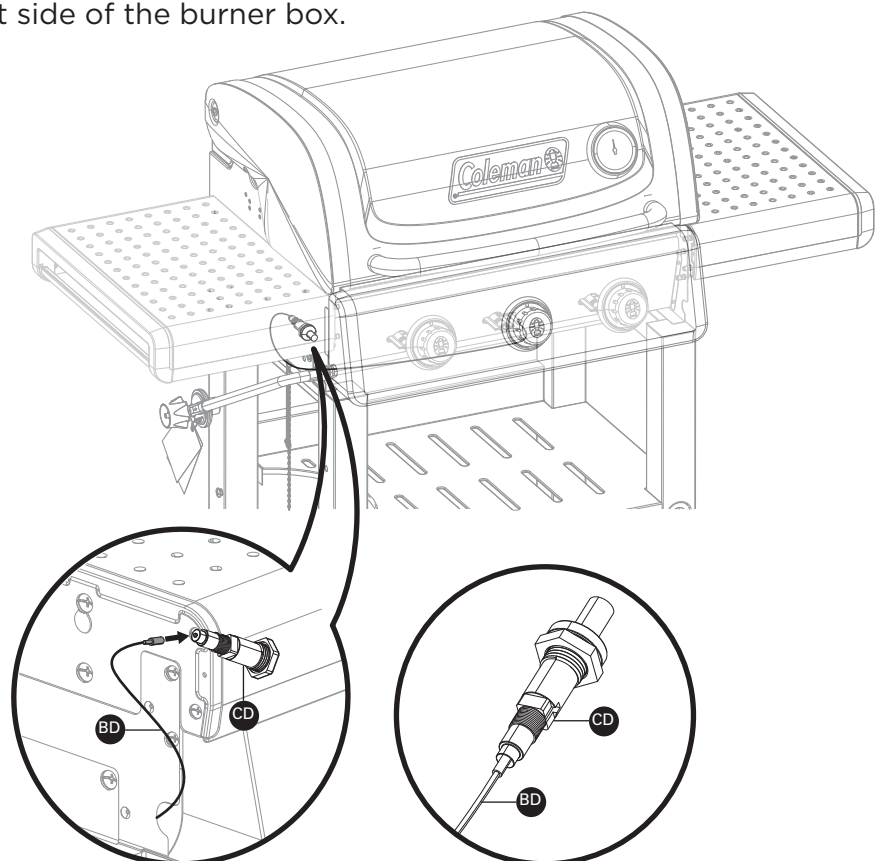
# ASSEMBLY INSTRUCTIONS

9A



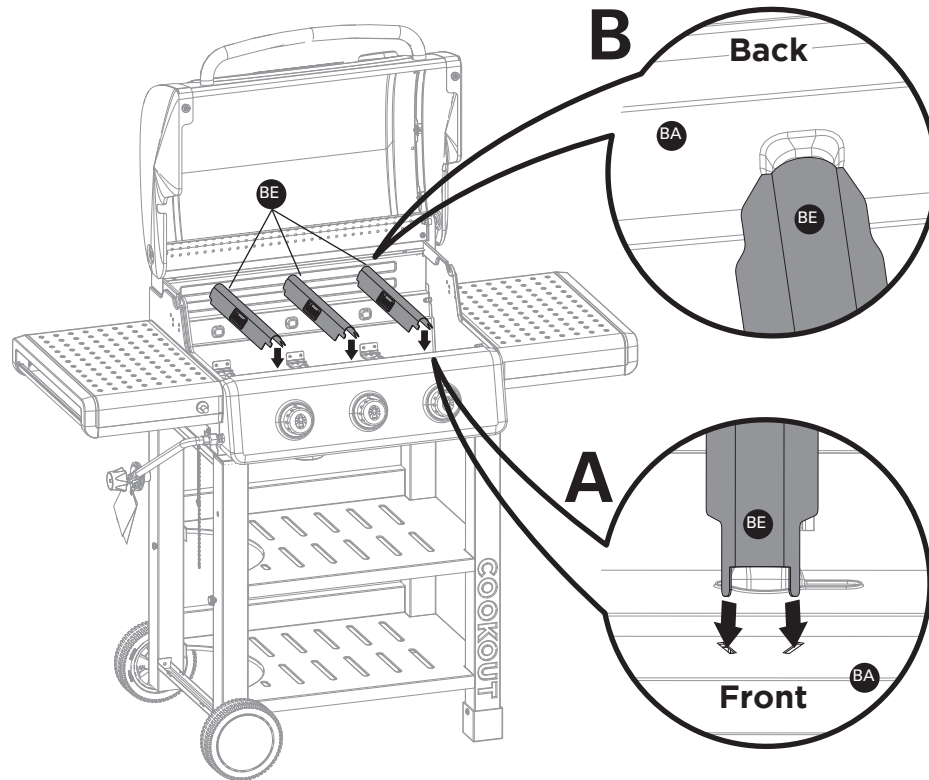
9B

**Note:** The electrode set (BD) is located on the left side of the burner box.

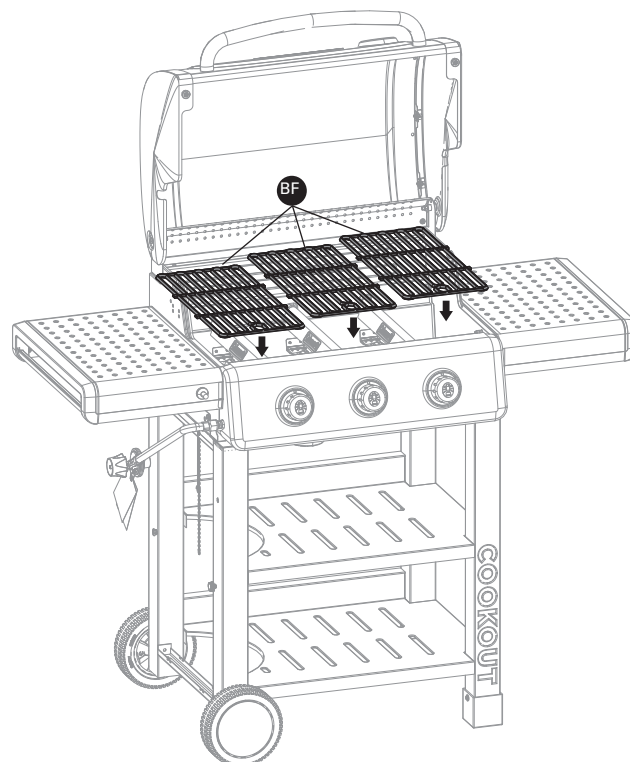




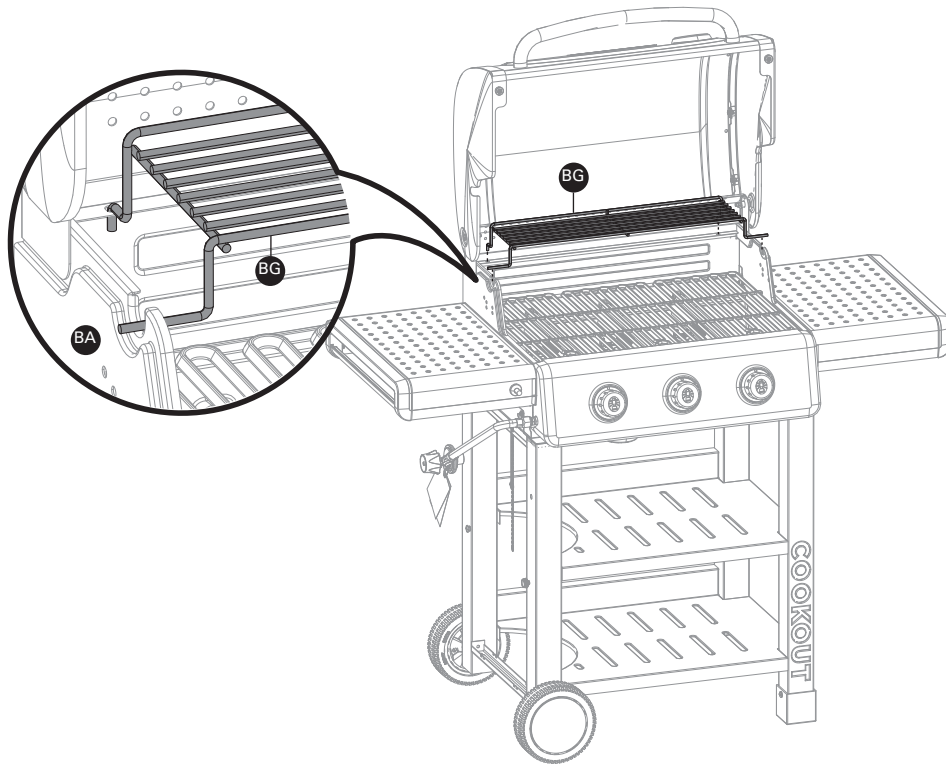
10



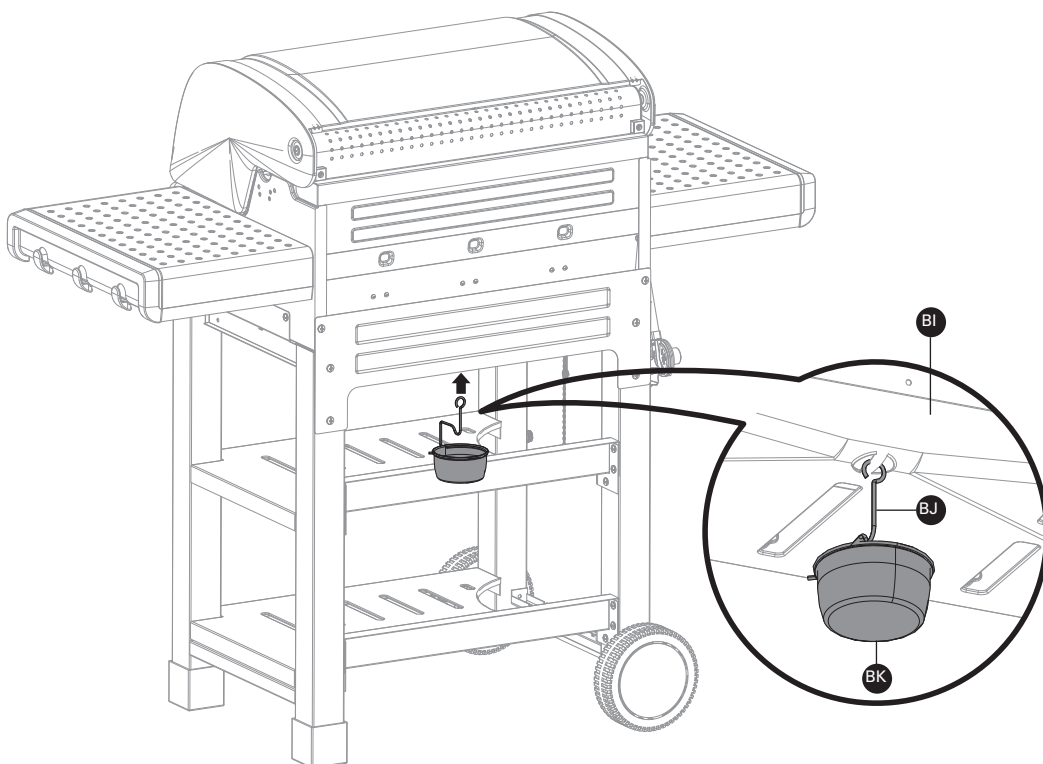
11



12



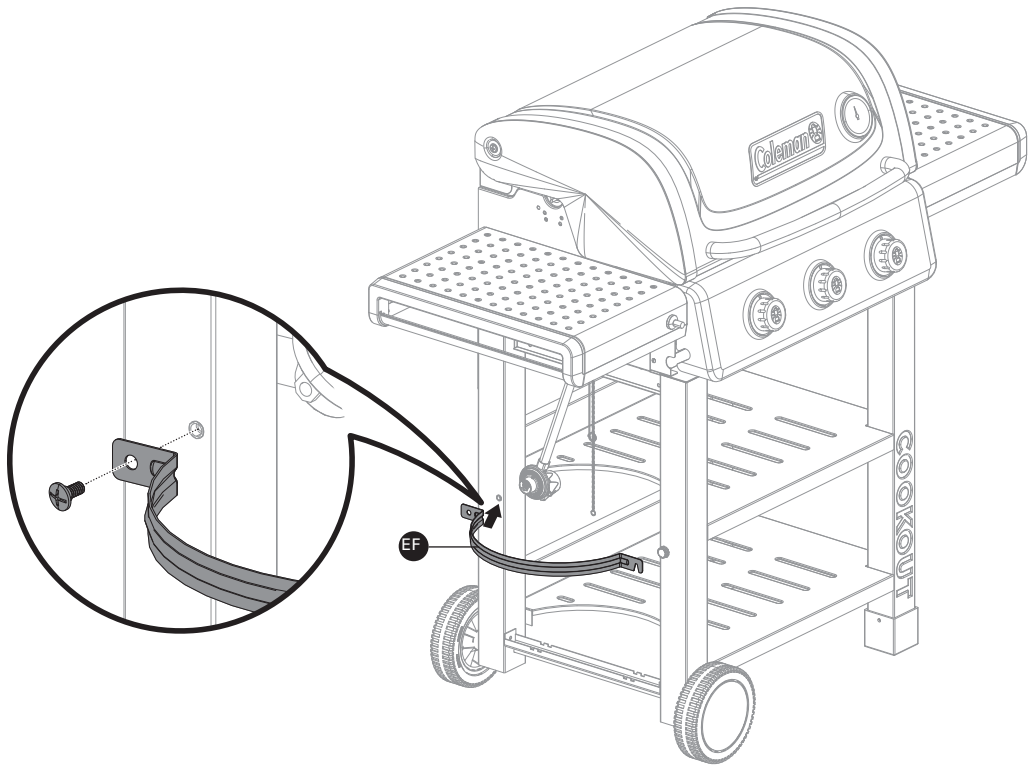
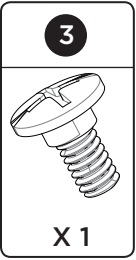
13



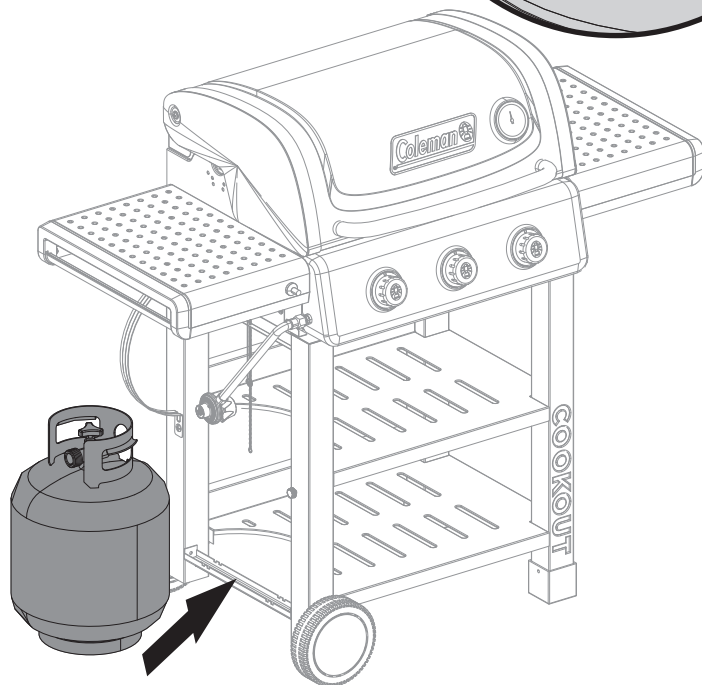
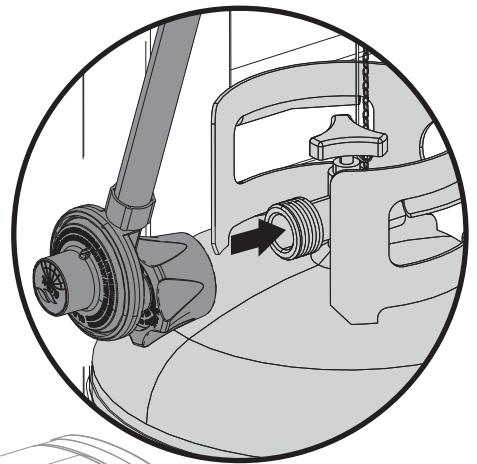
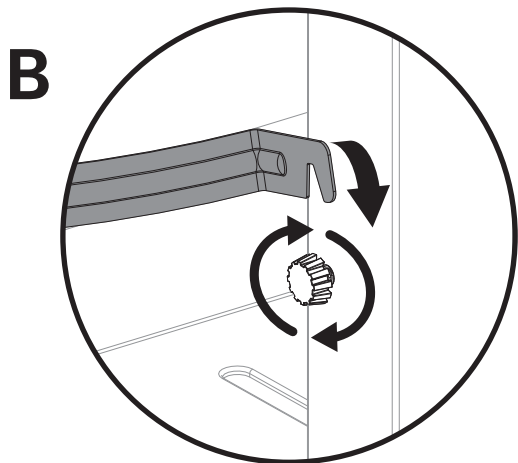
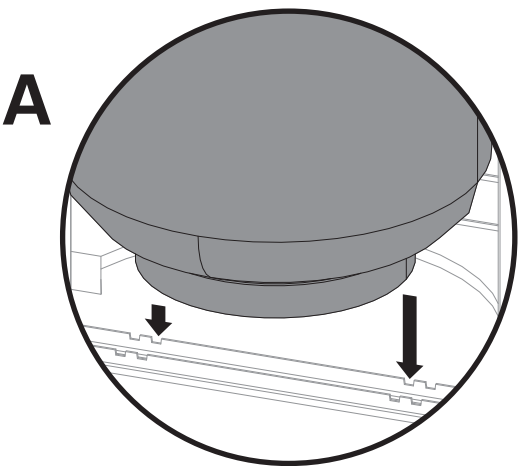


# ASSEMBLY INSTRUCTIONS

**14A**



**14B**



## ADDITIONAL WARNINGS

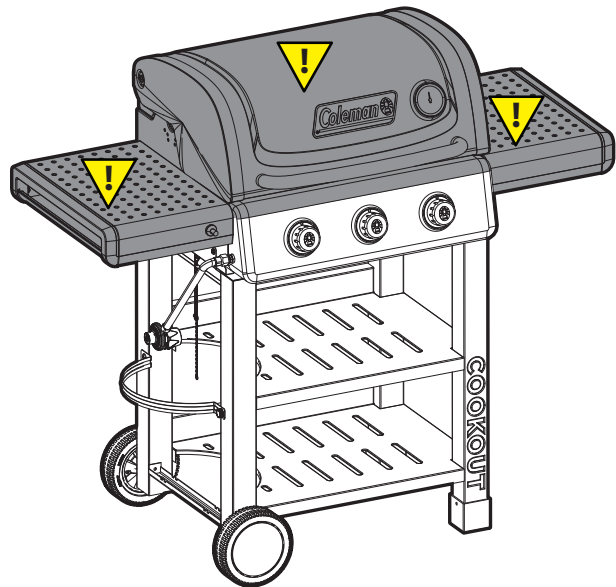
You have now completed the assembly of your Coleman® Cookout™ grill.

### NEXT STEPS:

1. Position your Grill
2. Read Safe Use & Care Manual
3. Perform Grill Safety Check-list

**▲ WARNING:**  
FOR YOUR FAMILIES SAFETY, DO NOT ATTEMPT TO LIGHT THIS GRILL UNTIL YOU HAVE REVIEWED PAGES 4-7 OF THE COLEMAN® SAFE USE & CARE MANUAL. ALL SAFETY AND LEAK TESTS MUST BE PERFORMED BY THE END USER, PRIOR TO LIGHTING THIS GRILL.

### ▲ WARNING HOT SURFACES:



## POSITION YOUR GRILL

**Always confirm that this grill is not positioned under** a combustible object (e.g., an awning or umbrella) or in a covered area (e.g., porch or gazebo) before lighting it, to prevent a possible fire.

**Always confirm that this grill is not positioned under** the overhang of a house, a garage or other structure before lighting it. An overhang will serve to deflect flare-ups and radiate heat into the structure itself, which could result in a fire.

**Always confirm that this grill is positioned more than 36" (91.4cm)** away from any combustible materials or surfaces before lighting it, and that no gasoline or other volatile substances are stored in the vicinity of this grill. The temperature of a grease fire or of the radiated heat might otherwise be sufficient to ignite nearby combustibles or volatile substances. Do not position near windows, siding, or fencing.



**Always locate the grill where there will be ample** combustion and ventilation air, but never position it in the direct path of a strong wind.





Licensed by BackHome Products LLC.

©2024 The Coleman Company, Inc.

Coleman®,  and  are registered trademarks of  
The Coleman Company, Inc. used under license.