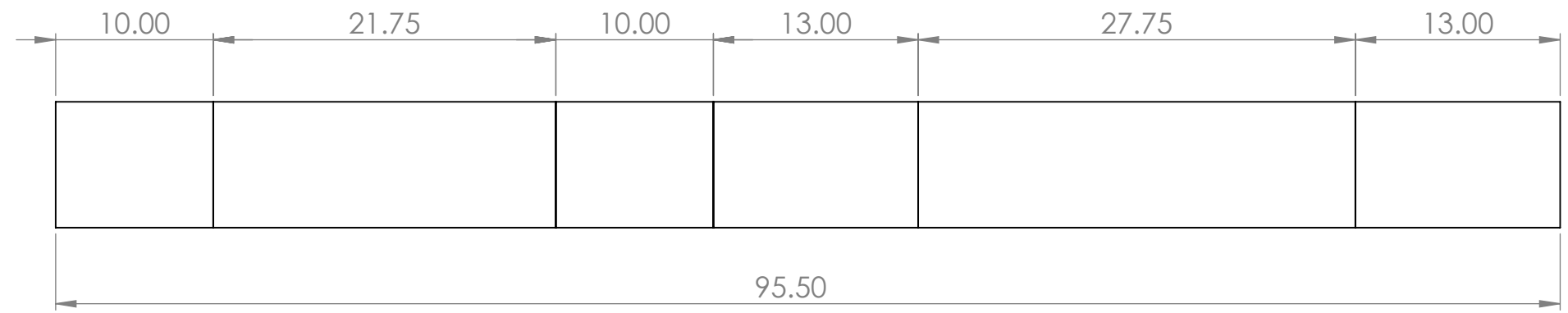
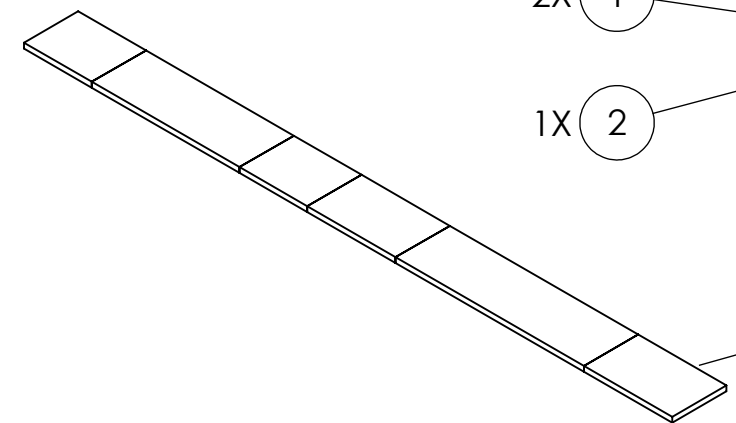
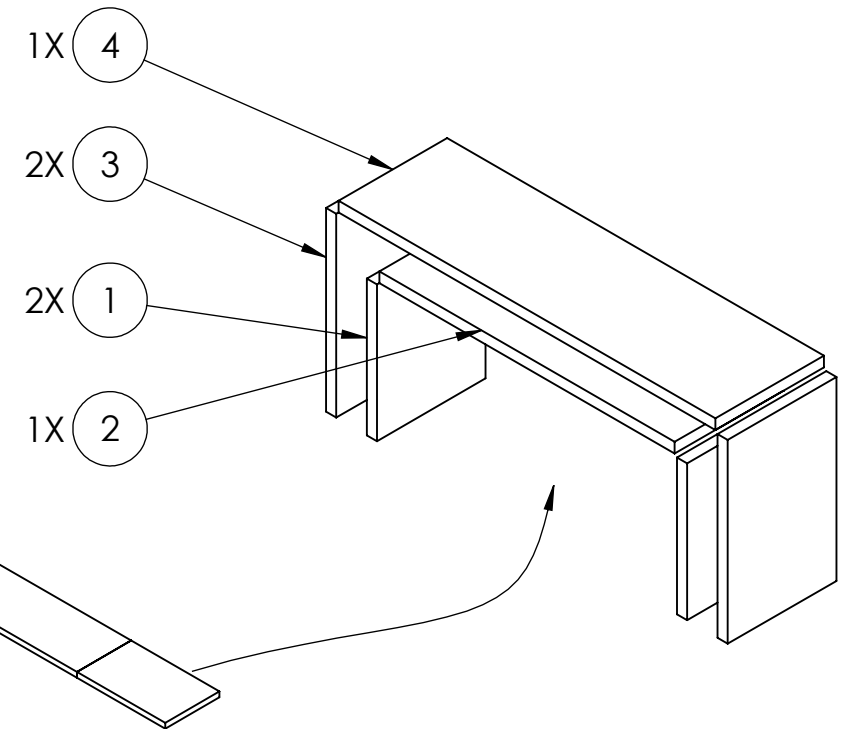


4

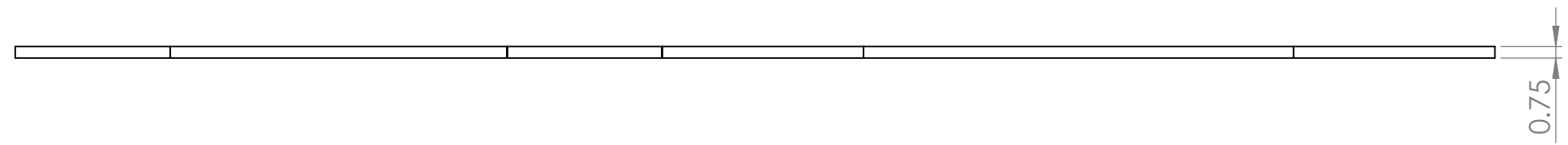
3

2

1



PURCHASE STANDARD 8 FOOT BOARD



ITEM NO.	PART NUMBER	QTY.
1	Part2^DIY TABLE RISER	2
2	Part3^DIY TABLE RISER	1
3	Part4^DIY TABLE RISER	2
4	Part5^DIY TABLE RISER	1

PROPRIETARY AND CONFIDENTIAL
 THE INFORMATION CONTAINED IN THIS DRAWING IS THE SOLE PROPERTY OF VERTICAL LEDGE LLC. ANY REPRODUCTION IN PART OR AS A WHOLE WITHOUT THE WRITTEN PERMISSION OF VERTICAL LEDGE LLC IS PROHIBITED.

INTERPRET GEOMETRIC TOLERANCING PER:

VERTICAL LEDGE

SIZE	DWG. NO.	REV
B	DIY TABLE RISER	

DO NOT SCALE DRAWING

SCALE: 1:20 WEIGHT: SHEET 1 OF 1

4

3

2

1

B

B

A

A