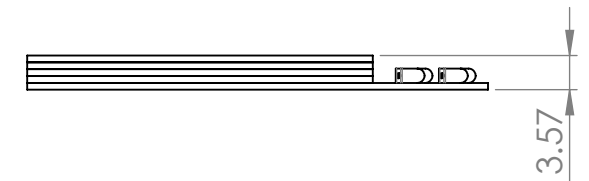
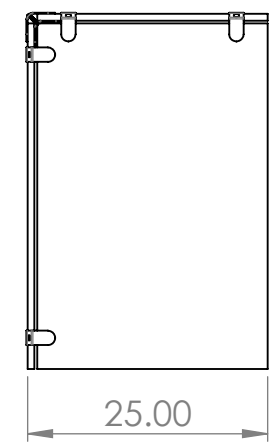
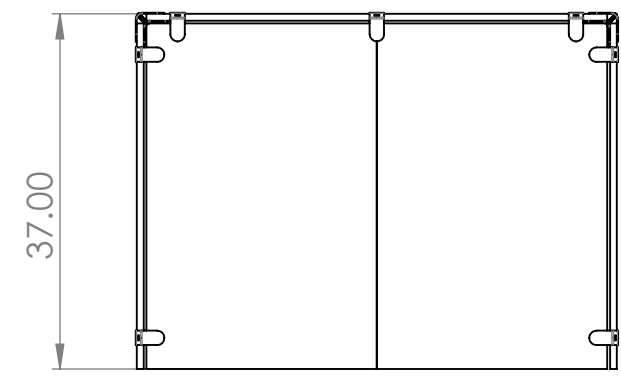
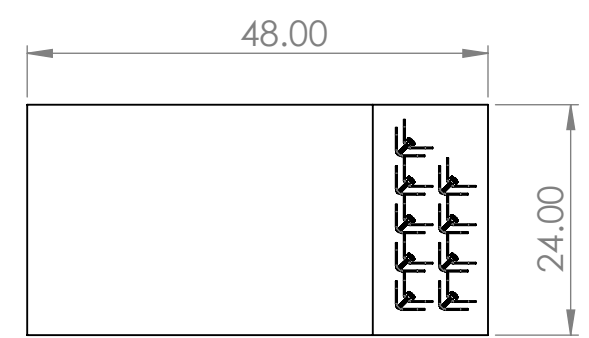
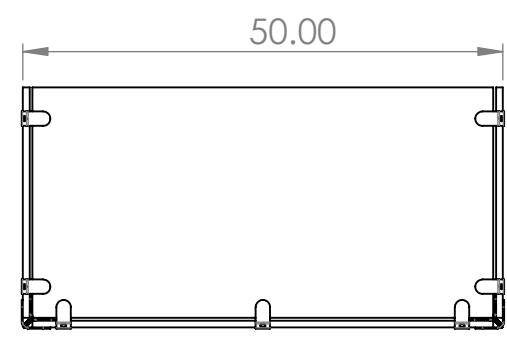
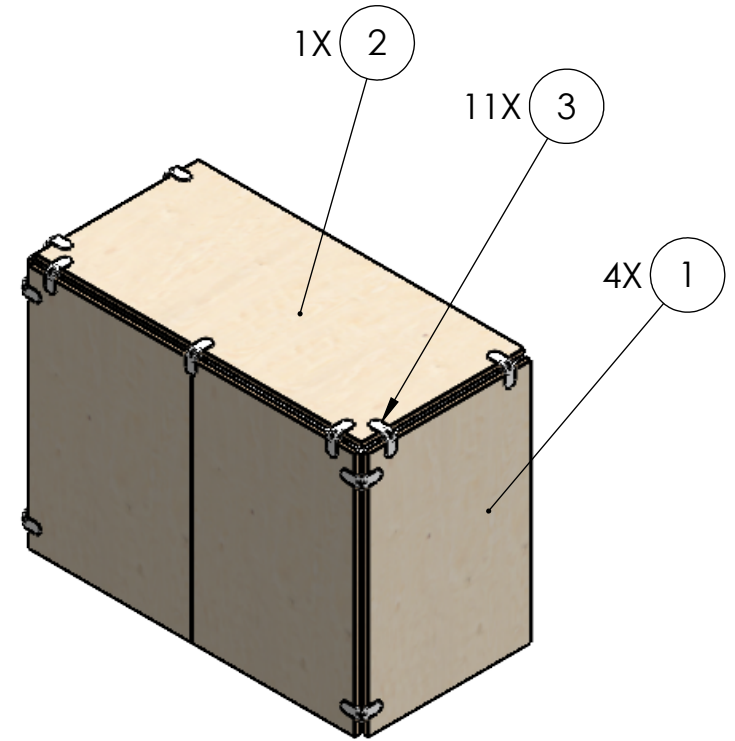
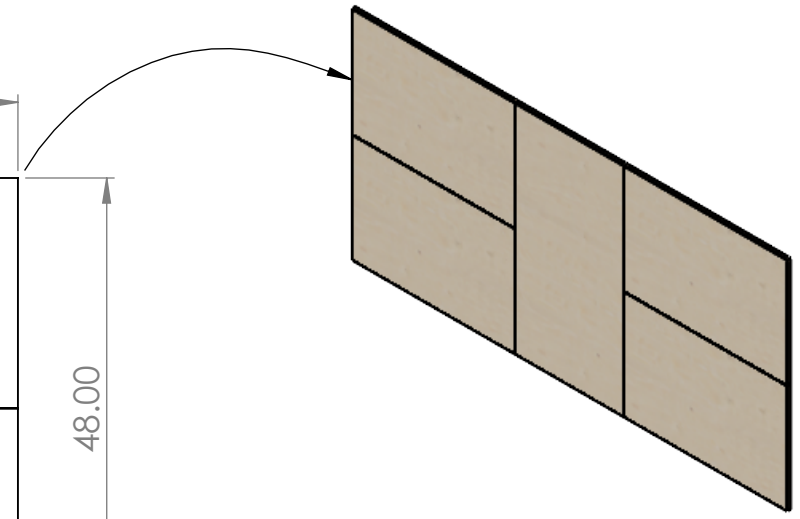
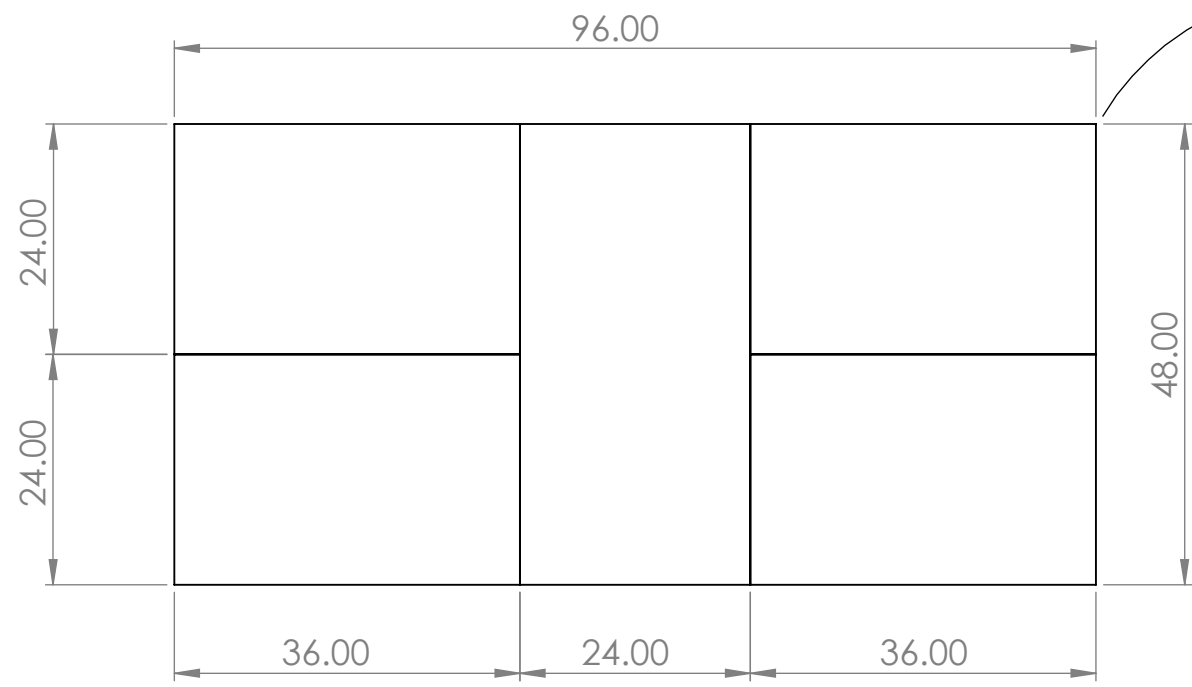


4

3

2

1



ITEM NO.	PART NUMBER	QTY.
1	PART SMALL	4
2	PART BIG	1
3	DIY Bracket	11

**PROPRIETARY AND CONFIDENTIAL**  
 THE INFORMATION CONTAINED IN THIS DRAWING IS THE SOLE PROPERTY OF VERTICAL LEDGE LLC. ANY REPRODUCTION IN PART OR AS A WHOLE WITHOUT THE WRITTEN PERMISSION OF VERTICAL LEDGE LLC IS PROHIBITED.

VERTICAL LEDGE			
SIZE	DWG. NO.	REV	
	<b>B</b> L-DIY-RECEPTION-PLAN		
DO NOT SCALE DRAWING		SCALE: 1:20 WEIGHT:	SHEET 1 OF 1

4

3

2

1

B

B

A

A