

**PATENT OFFICE** 

 **TWIN DRIVE - MANUAL**

TRACKLESS BI-FOLDING  
SWING GATE HARDWARE  
SPACE-SAVING FEATURE

### TWIN DRIVE 6.0

BI-FOLDING DOUBLE LEAF  
SWING GATE HARDWARE  
SPACE-SAVING FEATURE  
MAX. 3.0 m SINGLE LEAF  
SINGLE LEAF MAX. 110 kg  
HEIGHT MAX. 1,6 m  
**CENTRAL HINGES INCLUDED**

CODE: 1710901

### TWIN DRIVE 3.0

BI-FOLDING SINGLE LEAF  
SWING GATE HARDWARE  
SPACE-SAVING FEATURE  
MAX. 3.0 m SINGLE LEAF  
SINGLE LEAF MAX. 110 kg  
HEIGHT MAX. 1,6 m  
**CENTRAL HINGES INCLUDED**

CODE: 1710902



NO WELDING  
REQUIRED



SPACE SAVING  
FEATURE  
- 50% OF BACK SPACE



EASY  
ASSEMBLY



FAST  
NO WELDING  
REQUIRED



EASY TELESCOPIC  
ADJUSTMENT



SUITABLE FOR  
OFFSET LEAFS  
100% + 50%



SUITABLE FOR  
ALL STANDARD HINGES  
WITH A SINGLE AXLE



WIND RESISTANCE  
MAX. 50%  
LEAF CLOSURE



SUITABLE FOR  
ALL STANDARD  
AUTOMATIC  
GATE OPERATORS



- 37°C  
TESTED & PROVEN



+ 50°C  
TESTED & PROVEN



TRACKLESS  
BI-FOLDING



COMPACT  
PACKAGE



EASY  
TRANSPORT



FOR RESIDENTIAL  
USE ONLY



TAKE  
AWAY



HIGH QUALITY  
GUARANTEED



CAIS  
INNOVATION



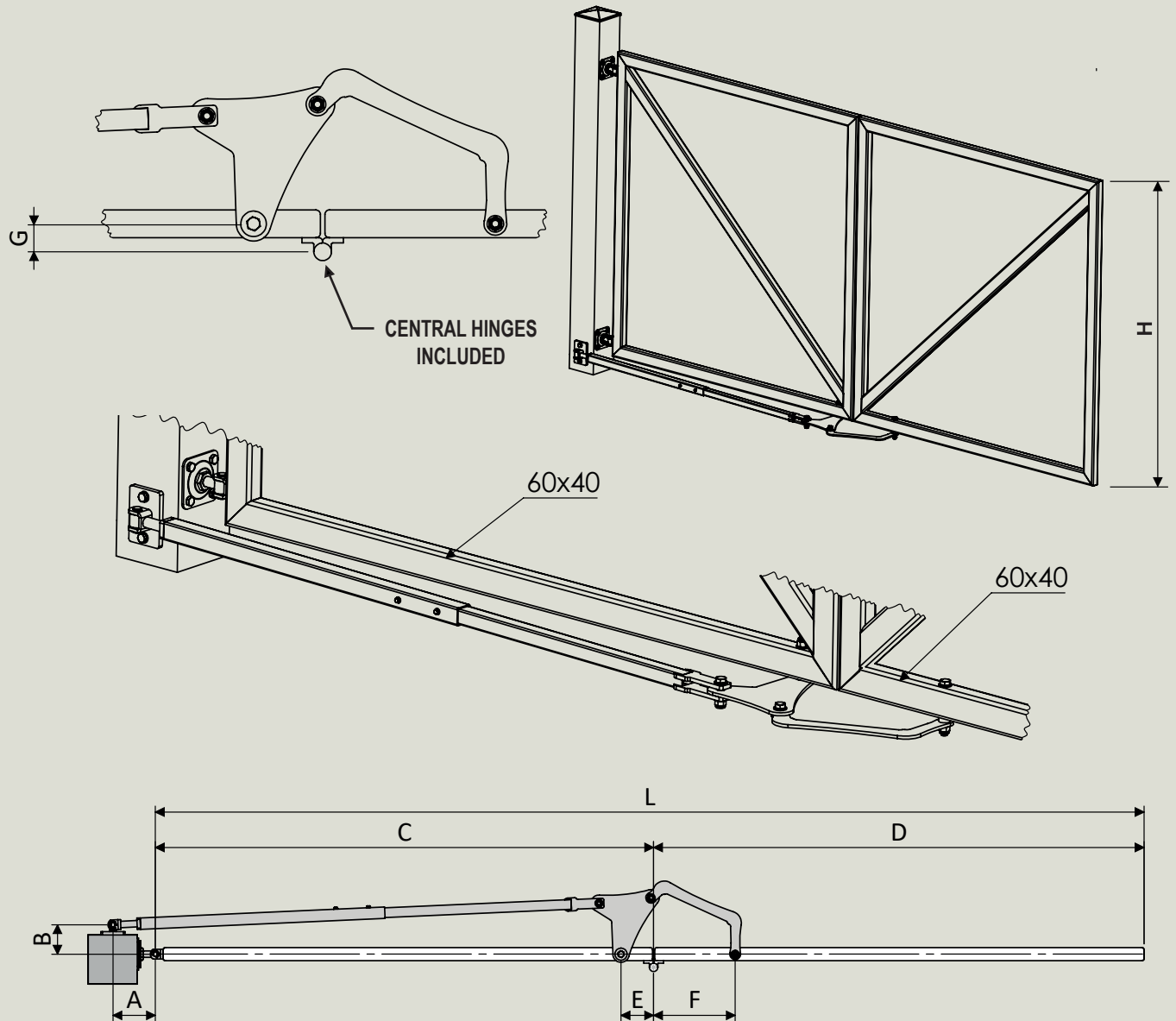
90° MAX. ANGLE

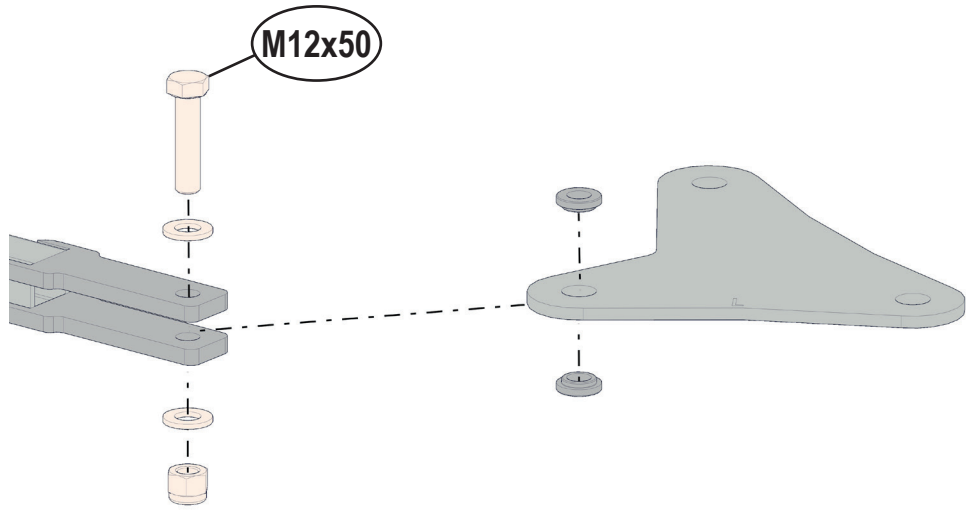


BOTTOM FIXED LEAF  
SAFETY FEATURE

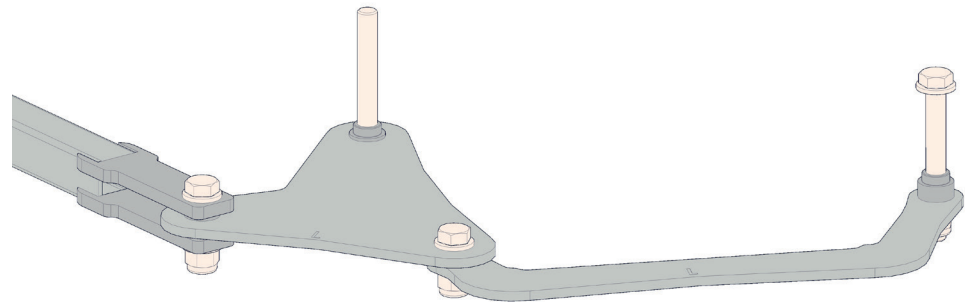
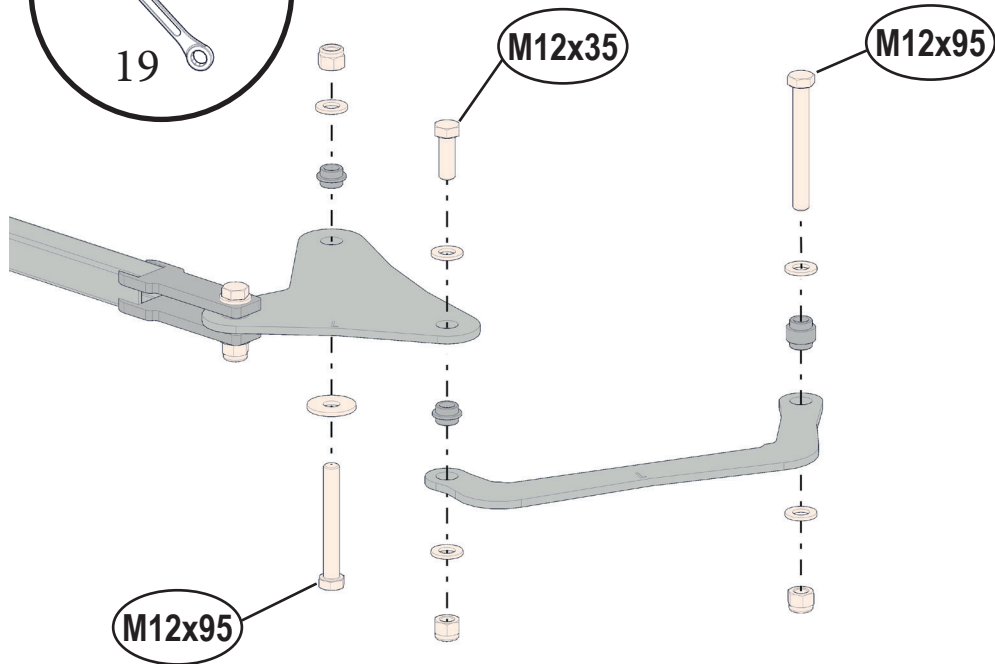
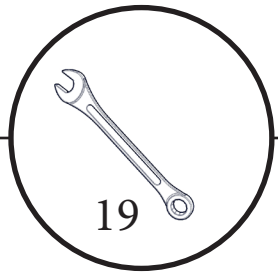
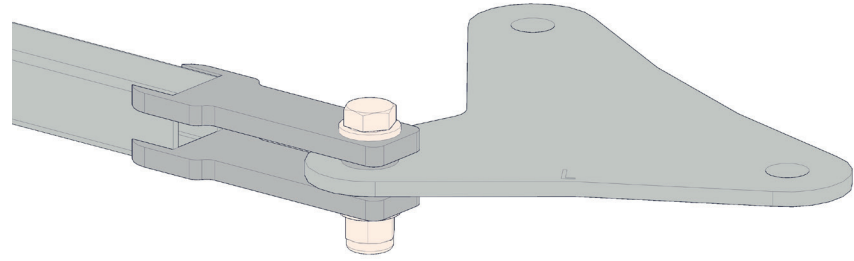
L max.	A	B	C min. / max	D min. / max.	E	F	G	H	SINGLE LEAF max.
3000	130	90	1000-1500	300 - 1500	100	250	40	1600	110
									kg

Valid for gate frame 60x40



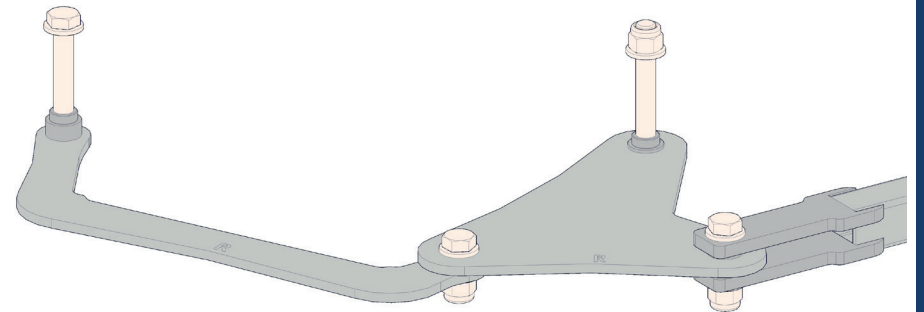
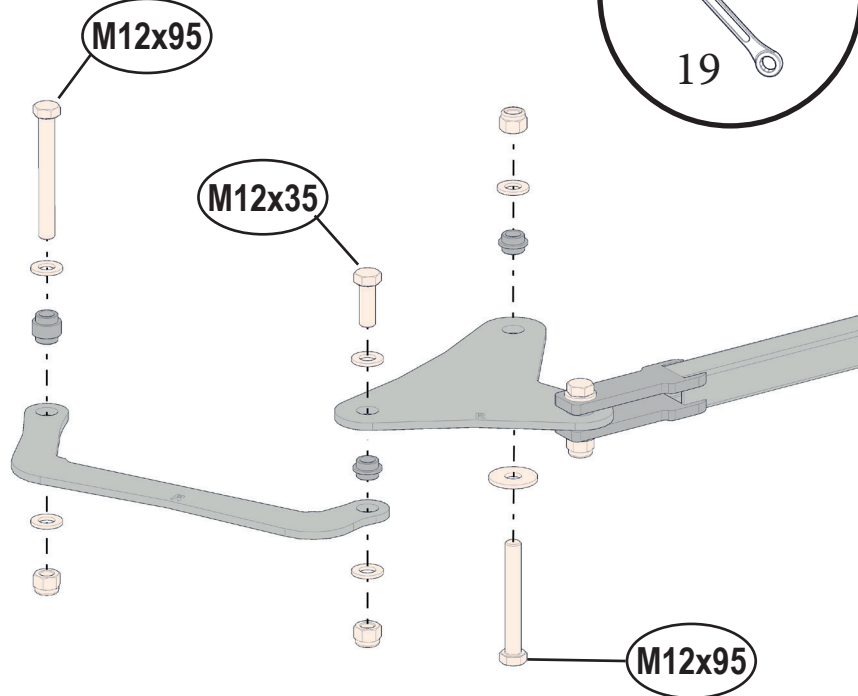
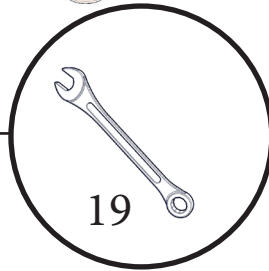
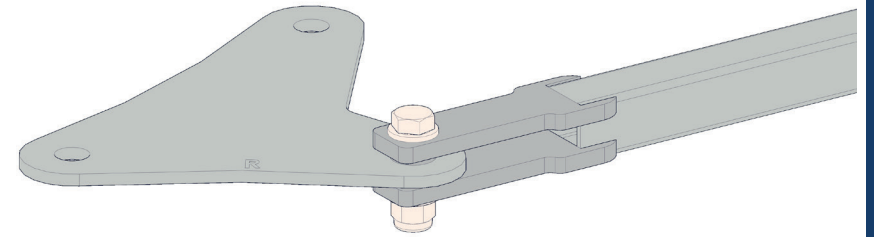
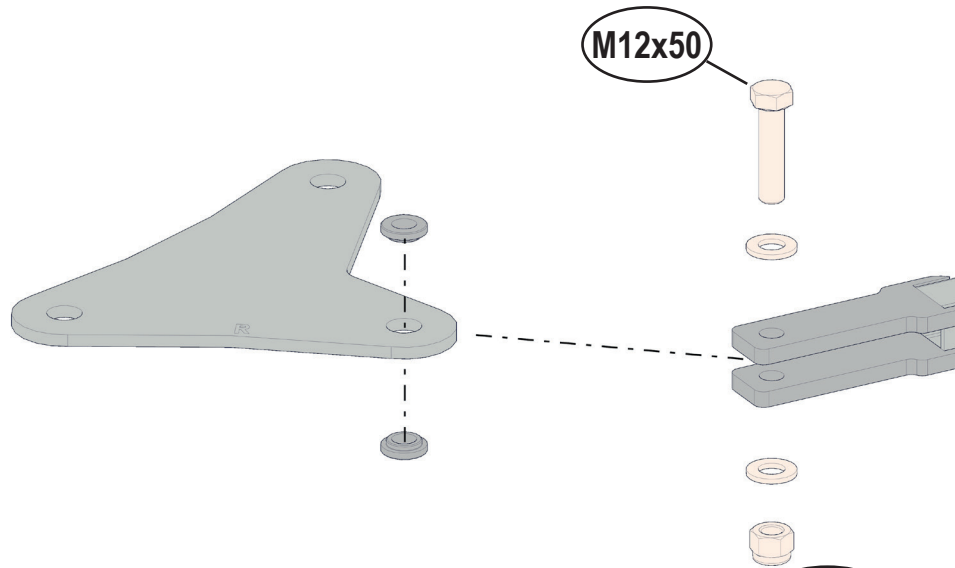


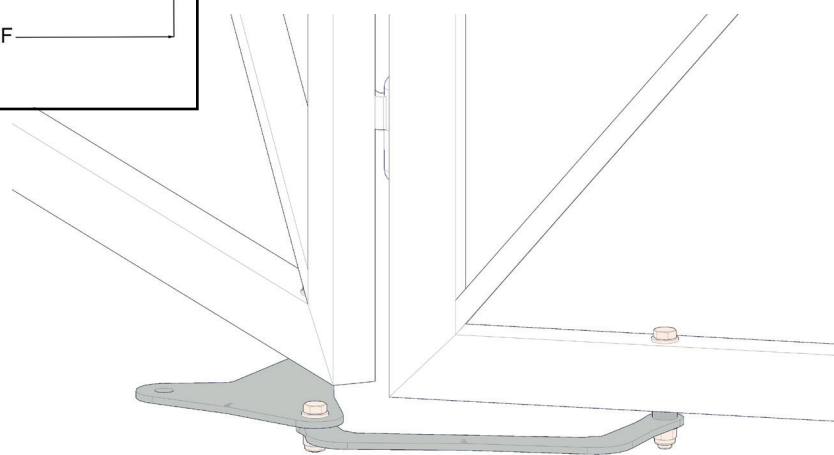
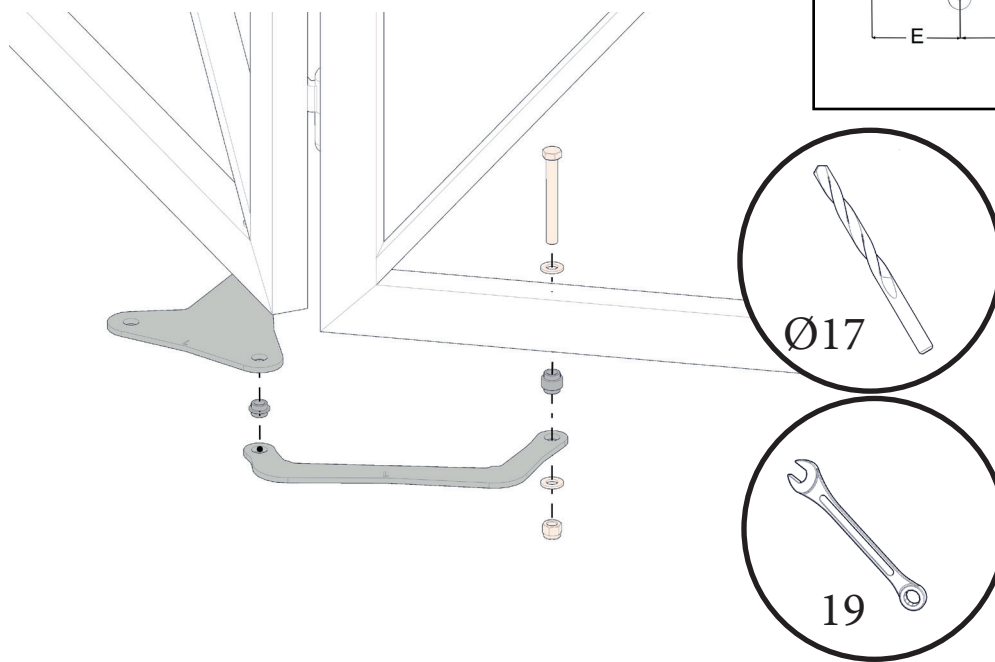
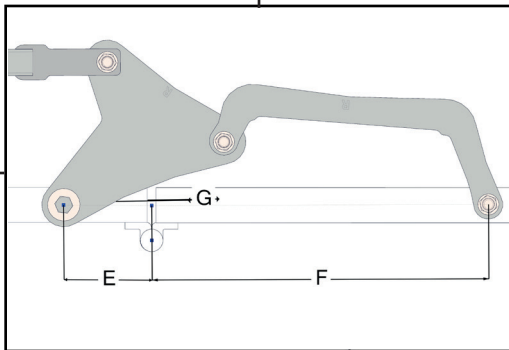
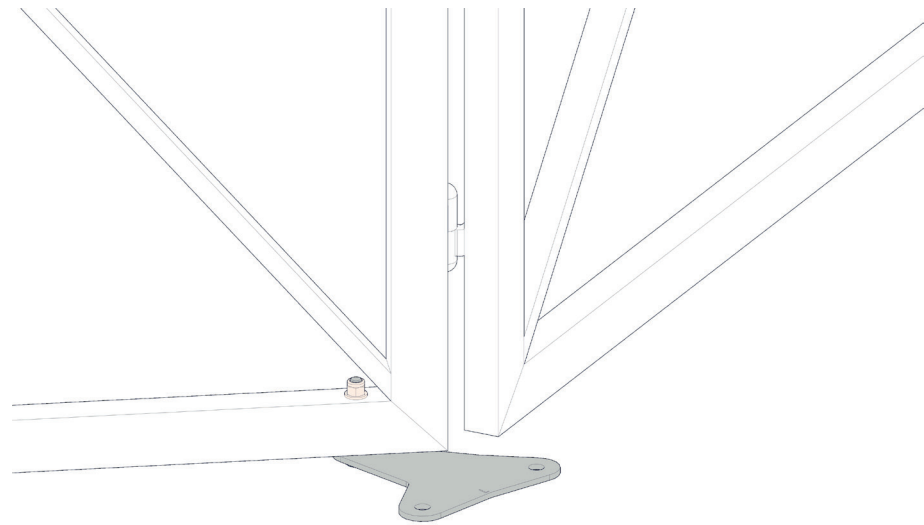
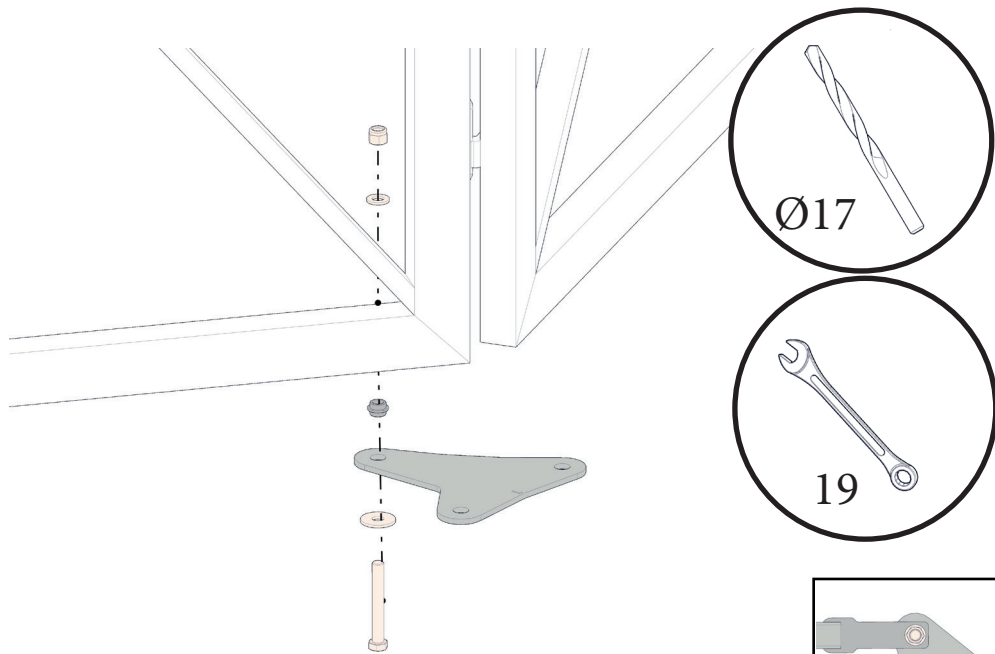
LEFT <<<



STEP 1 (A) - LEFT

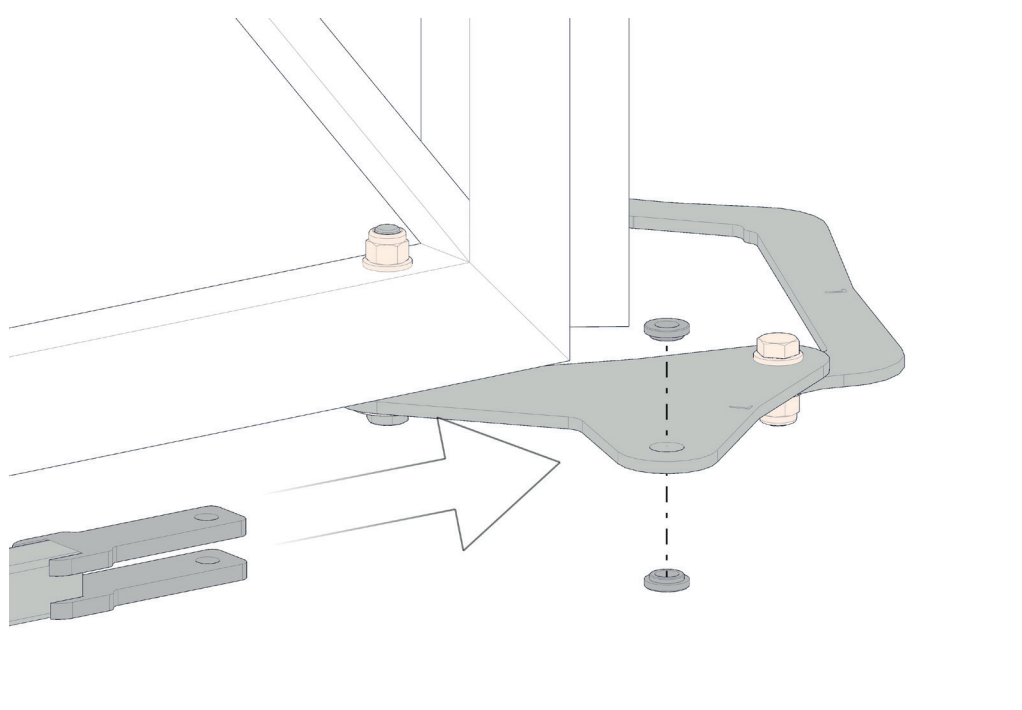
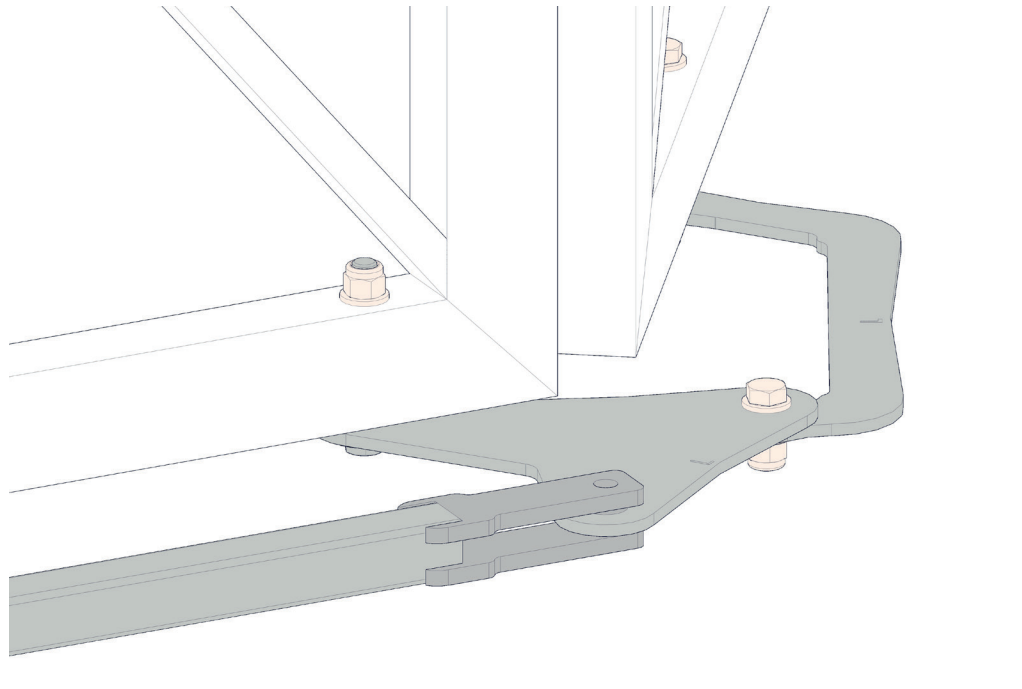
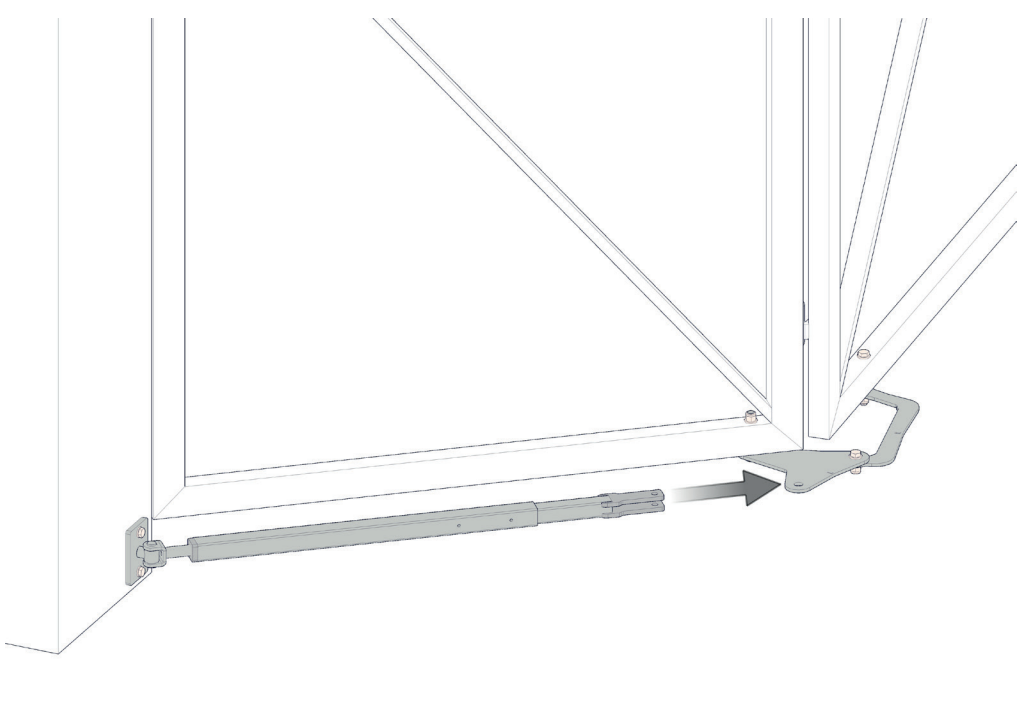
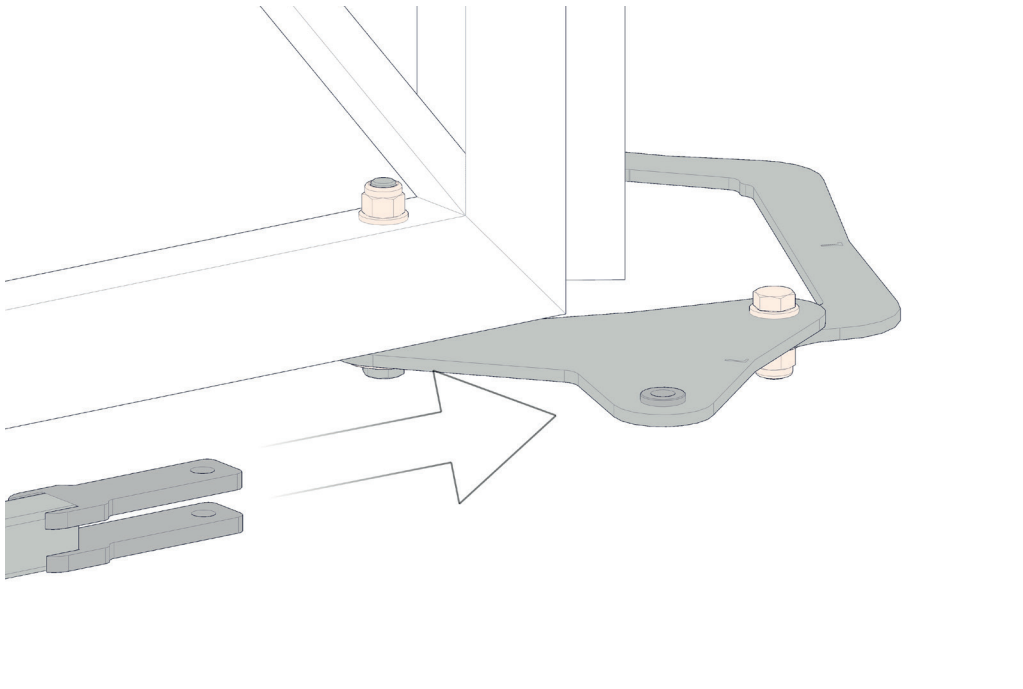
RIGHT >>>



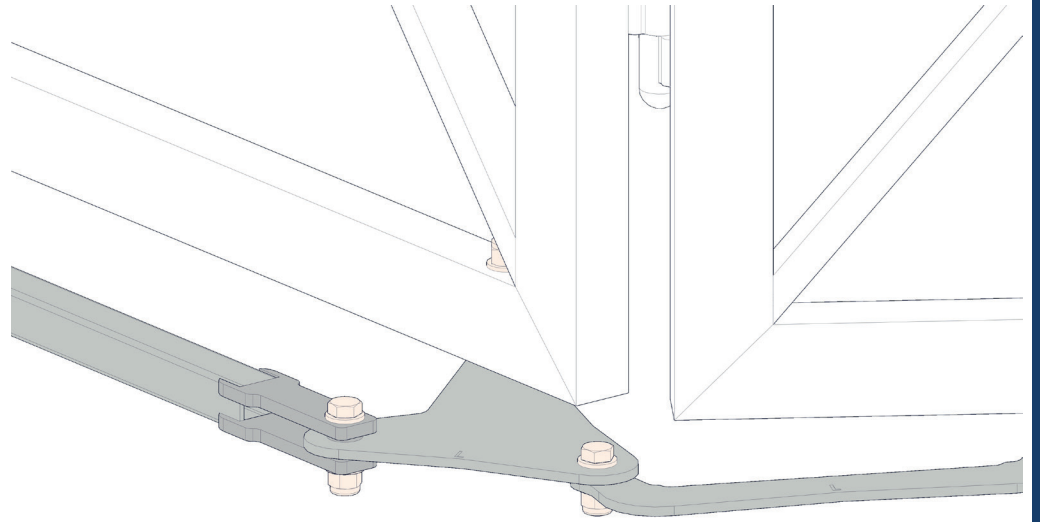
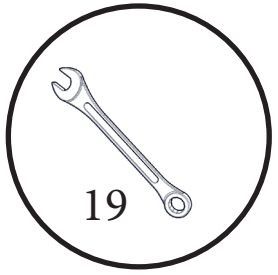
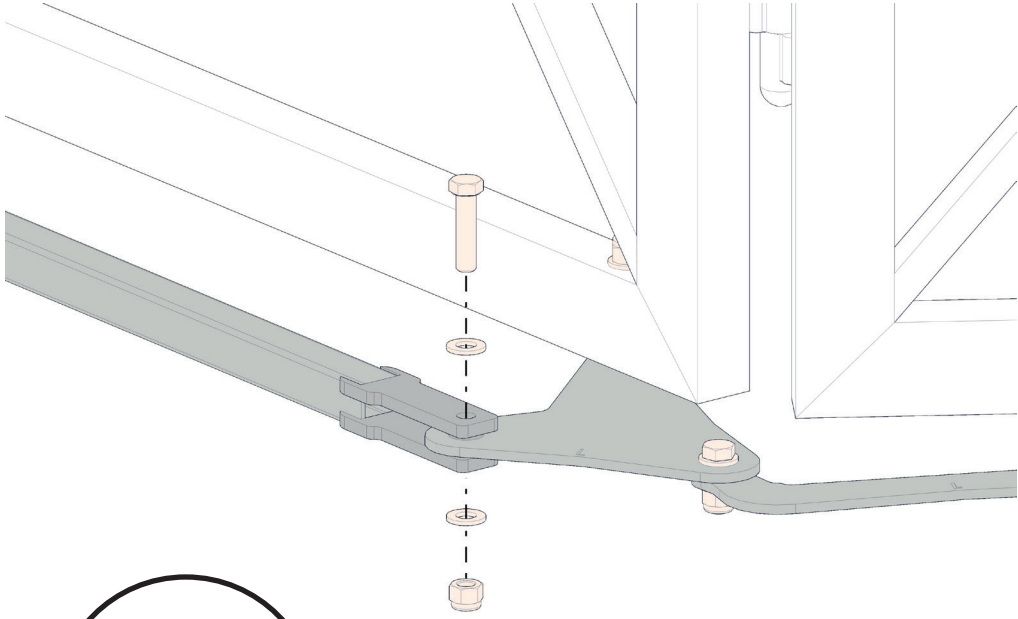


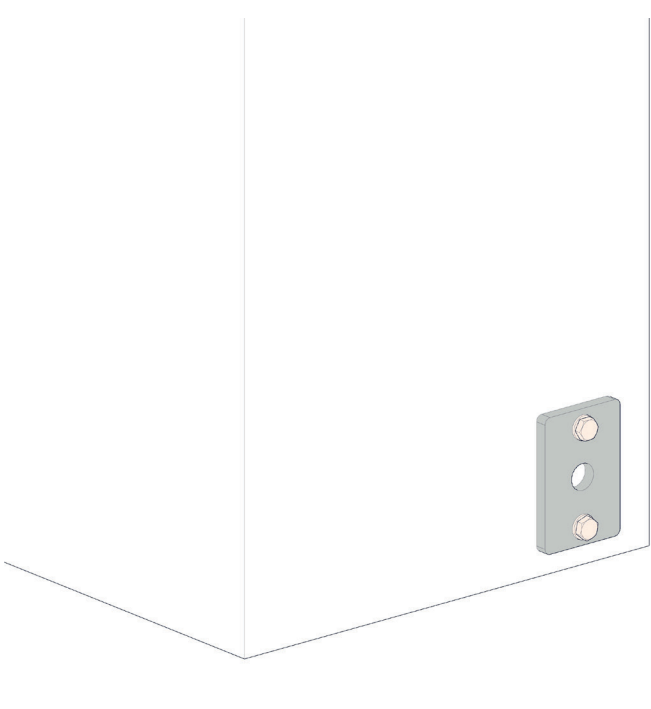
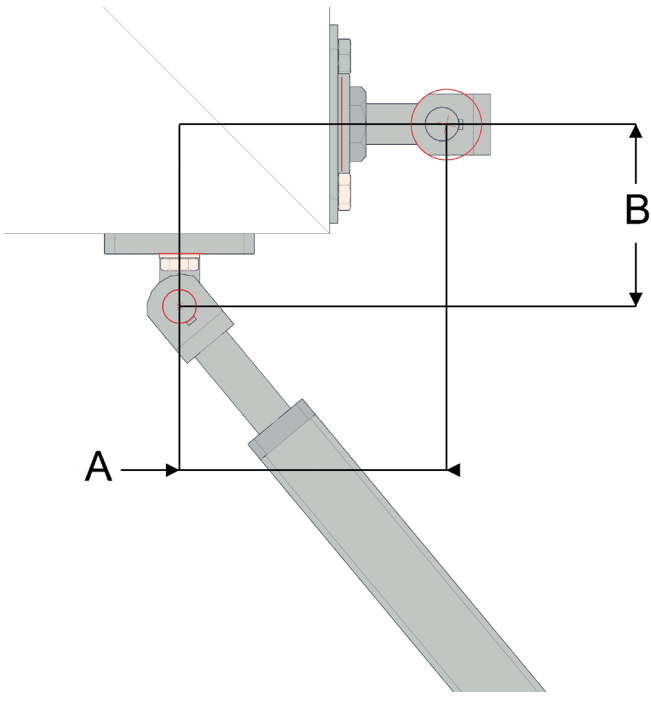
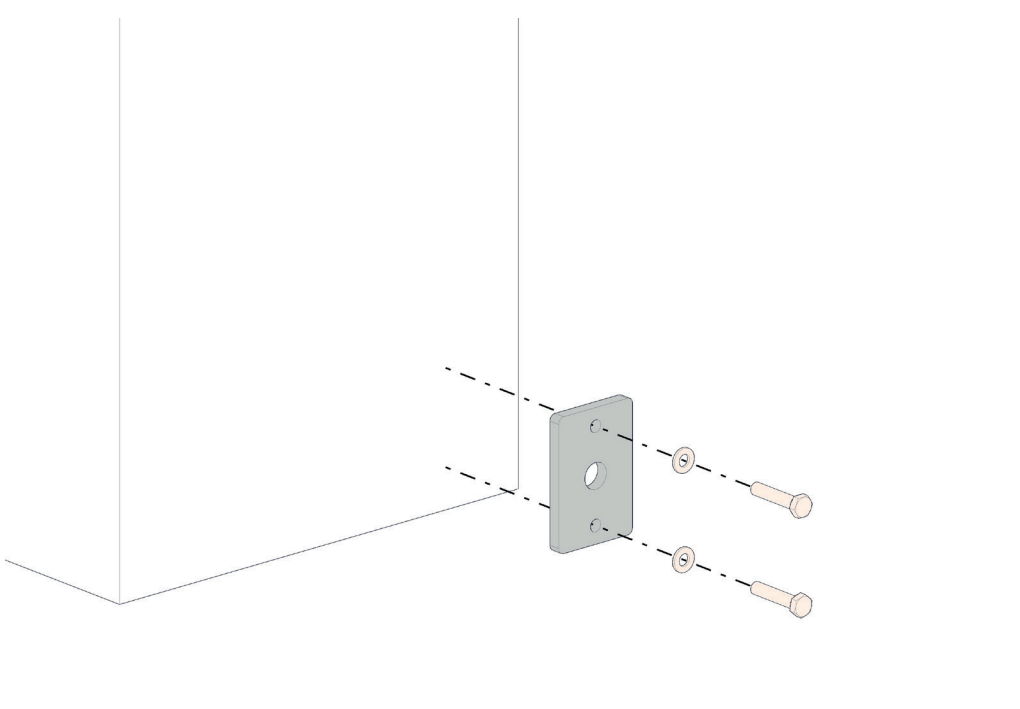
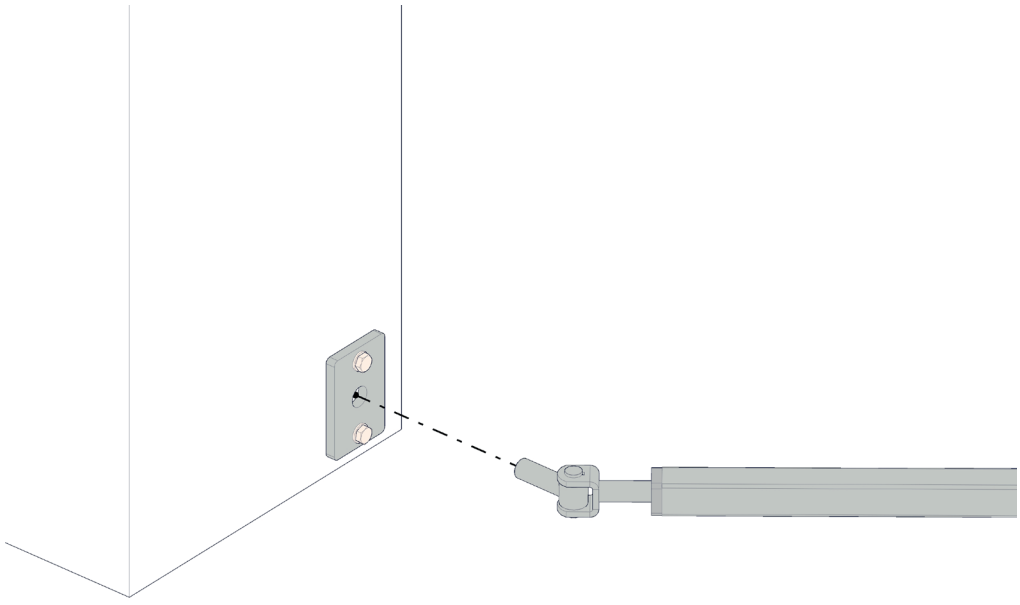
STEP 2

STEP 3

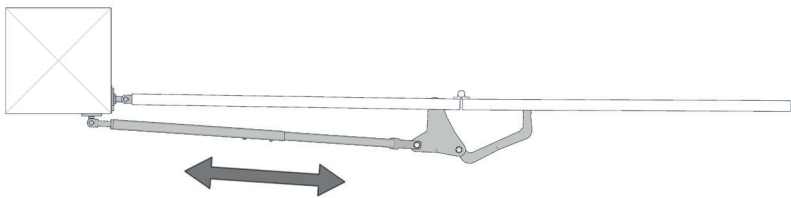
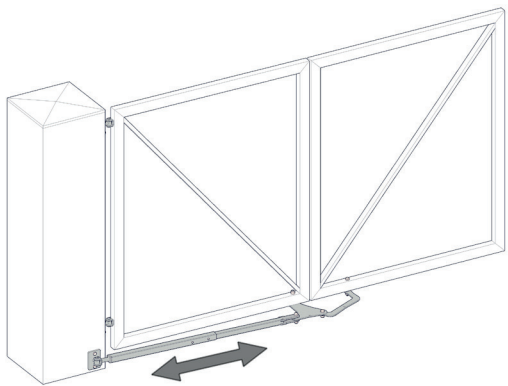


**STEP 4**

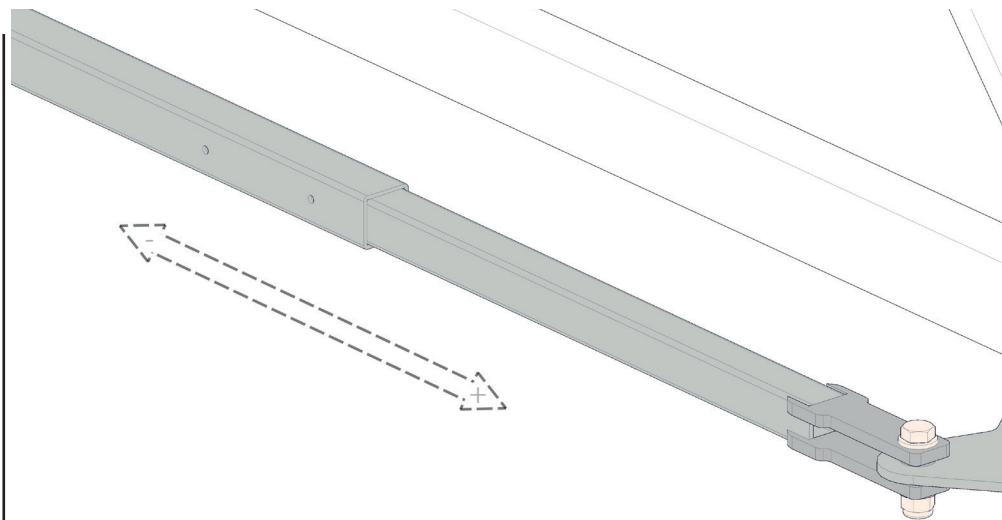




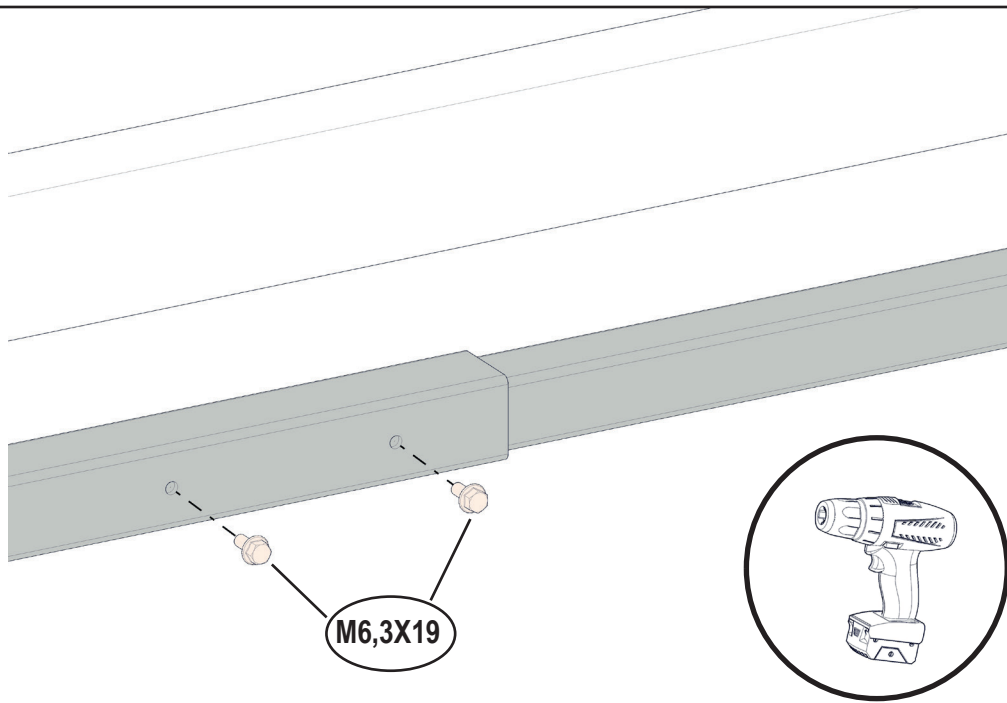




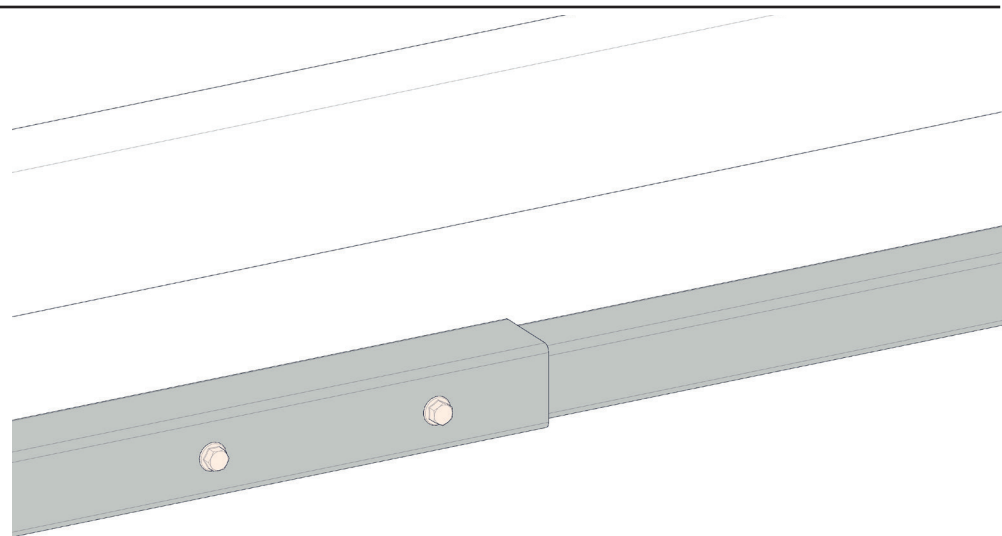
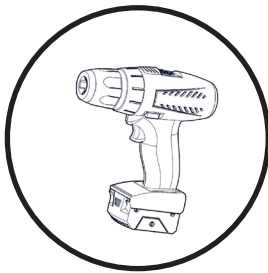
CLOSE



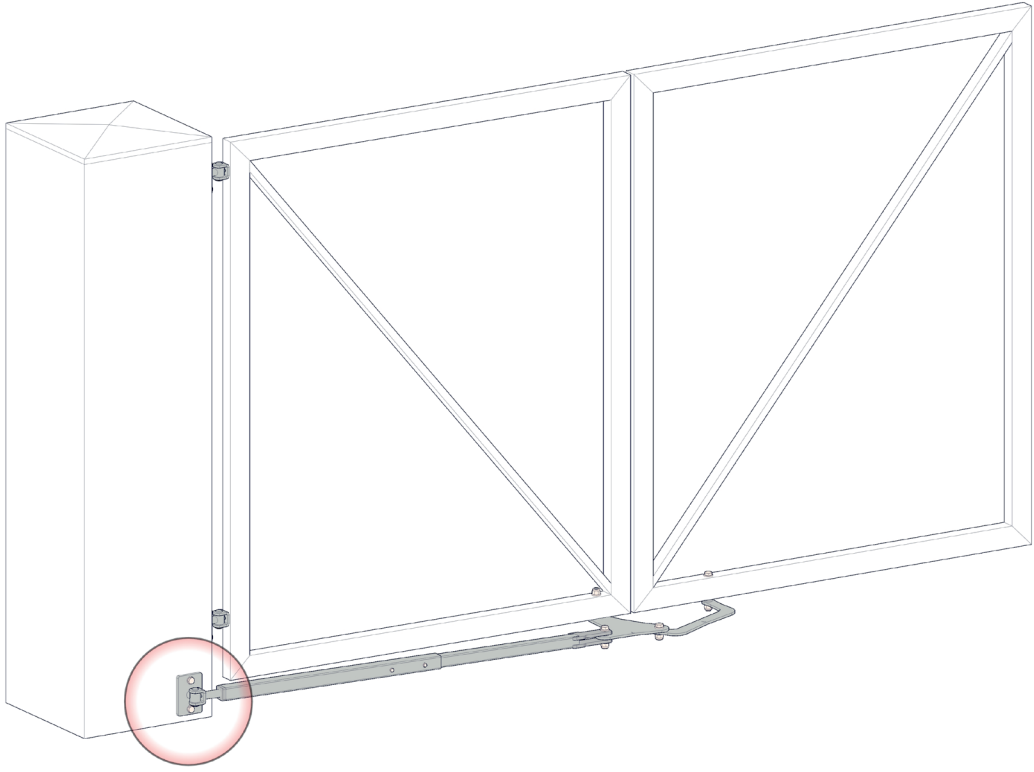
STEP 7



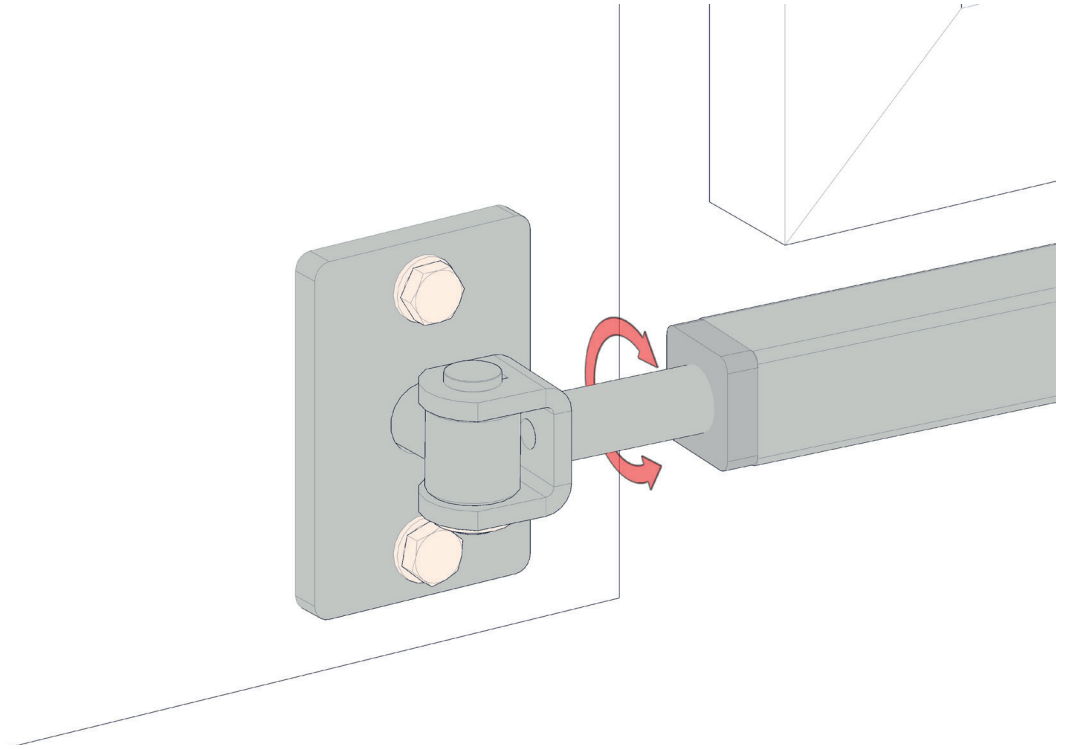
M6,3X19



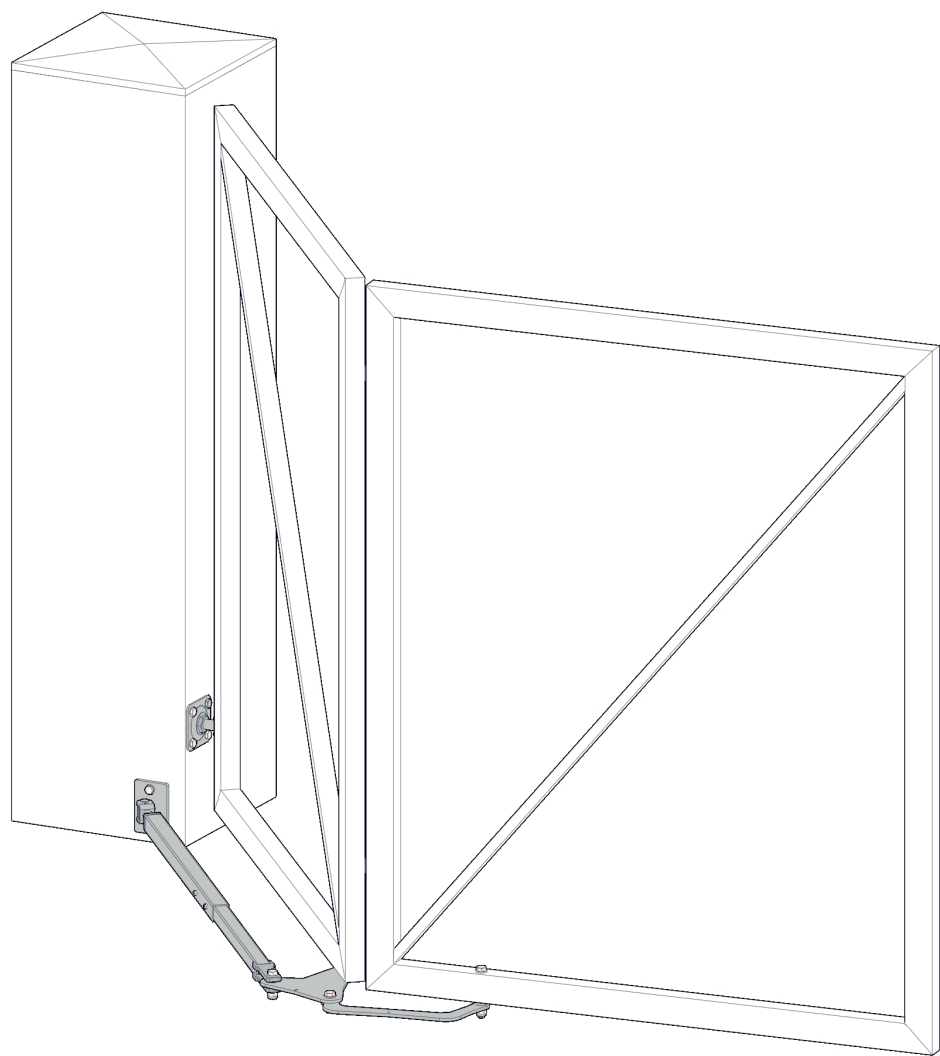
STEP 8

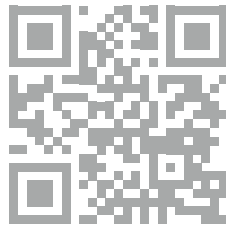


REGULATION



STEP 9





[www.cais.eu](http://www.cais.eu)