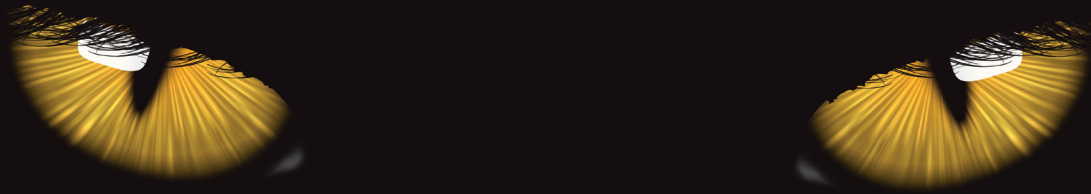


**LOCINOX**<sup>®</sup>

Let's make it better together




# THE NEW GATECLOSER **PANTHER**

**Powerful • Elegant • Protective**



ALL-ROUND HYDRAULIC GATE CLOSER  
FOR WALL AND POST MOUNTING

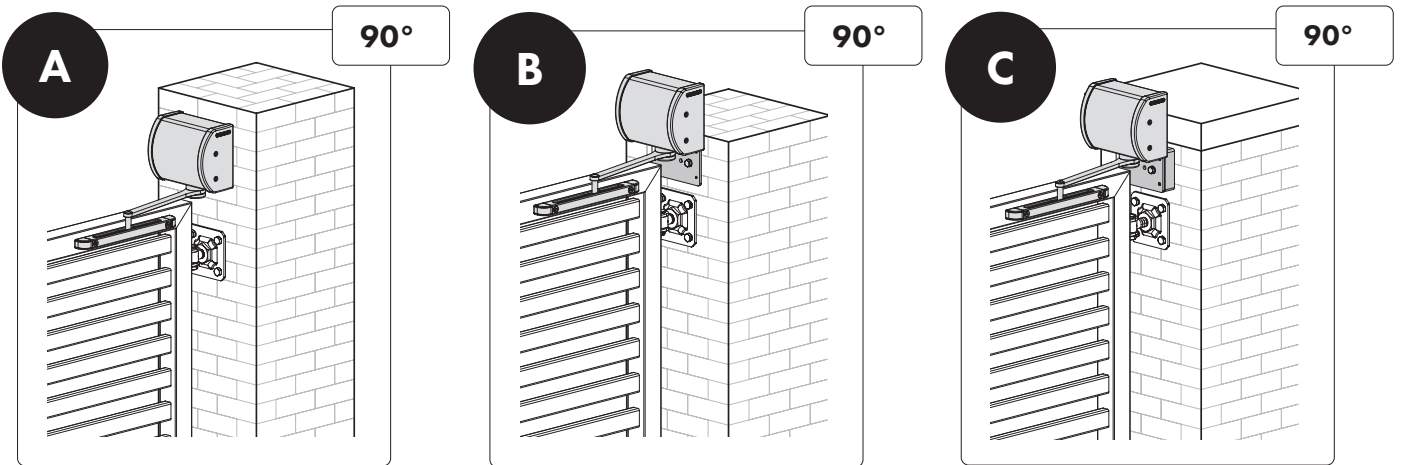
 150 kg max



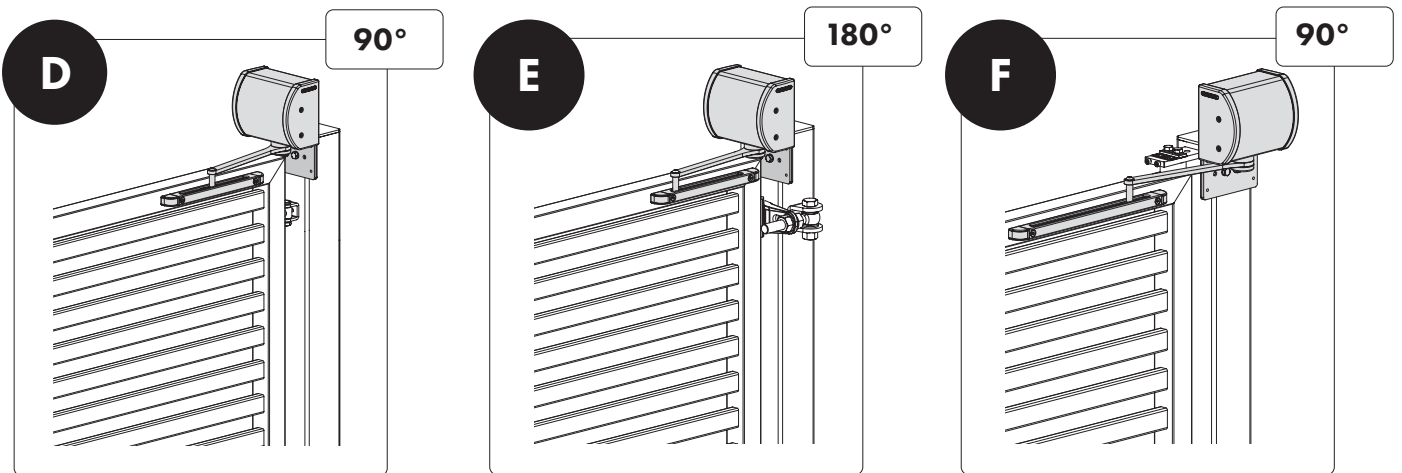
1500 mm wide max

## EASY AND FAST INSTALLATION

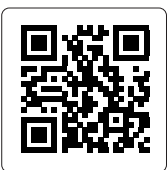
### 3 POSSIBILITIES OF INSTALLATION ON WALLS



### 2 POSSIBILITIES OF INSTALLATION ON POST



## SPECIFICATIONS



For the installation video:  
scan the code or  
visit [www.locinox.com/panther](http://www.locinox.com/panther)

- ✓ Aesthetic & compact design
- ✓ Scratch resistant and corrosion free anodized aluminium housing
- ✓ Closing force over the full 120° opening angle
- ✓ Designed to be installed above the gate
- ✓ Integrated pre-tension for extremely smooth installation
- ✓ Quick-Fix and wall anchors included
- ✓ For left & right turning gates
- ✓ Easy to open: Max. 19 Nm
- ✓ Recommended with Gatestop



### LOCINOX



[www.locinox.com](http://www.locinox.com)



HQ: +32 56 77 27 66  
CEE: +48 71 758 21 00



[help@locinox.com](mailto:help@locinox.com)



[www.locinox.com/panther](http://www.locinox.com/panther)

### LOCINOX USA



[www.locinoxusa.com](http://www.locinoxusa.com)



877- LOCINOX



[helpusa@locinox.com](mailto:helpusa@locinox.com)



[www.locinoxusa.com/panther](http://www.locinoxusa.com/panther)